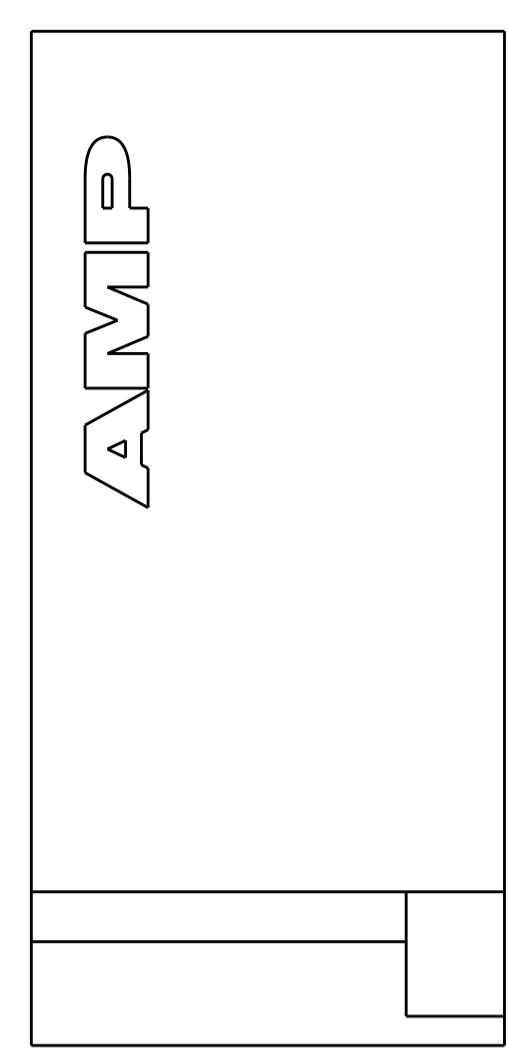
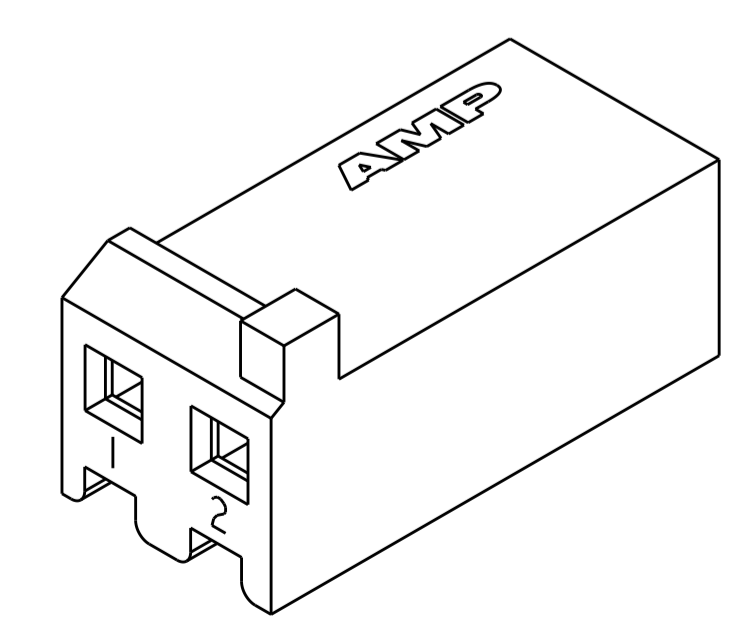
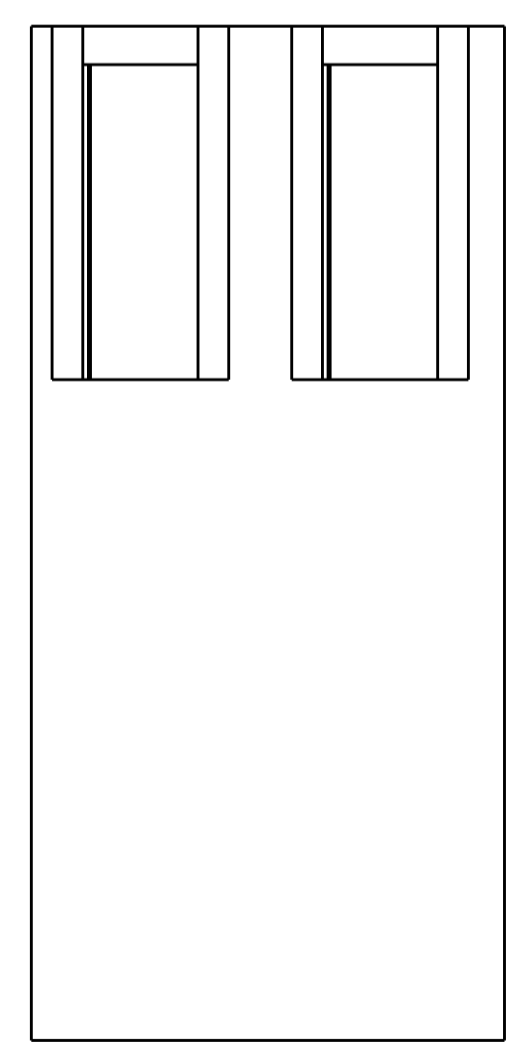
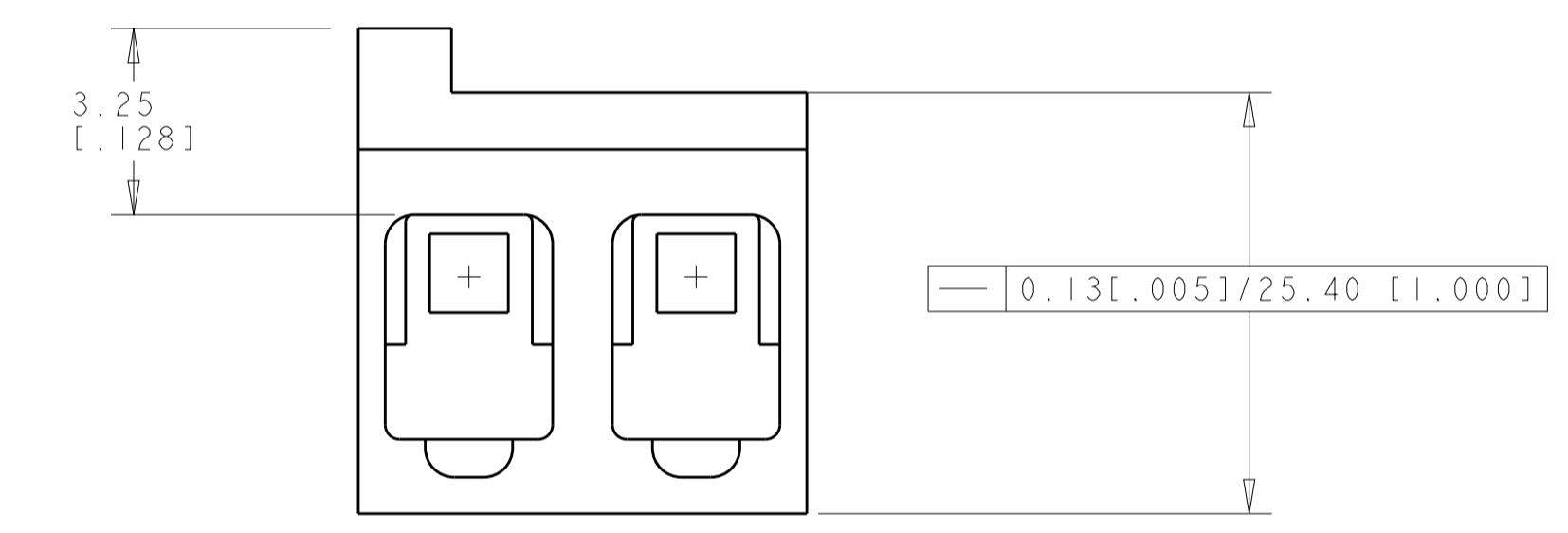
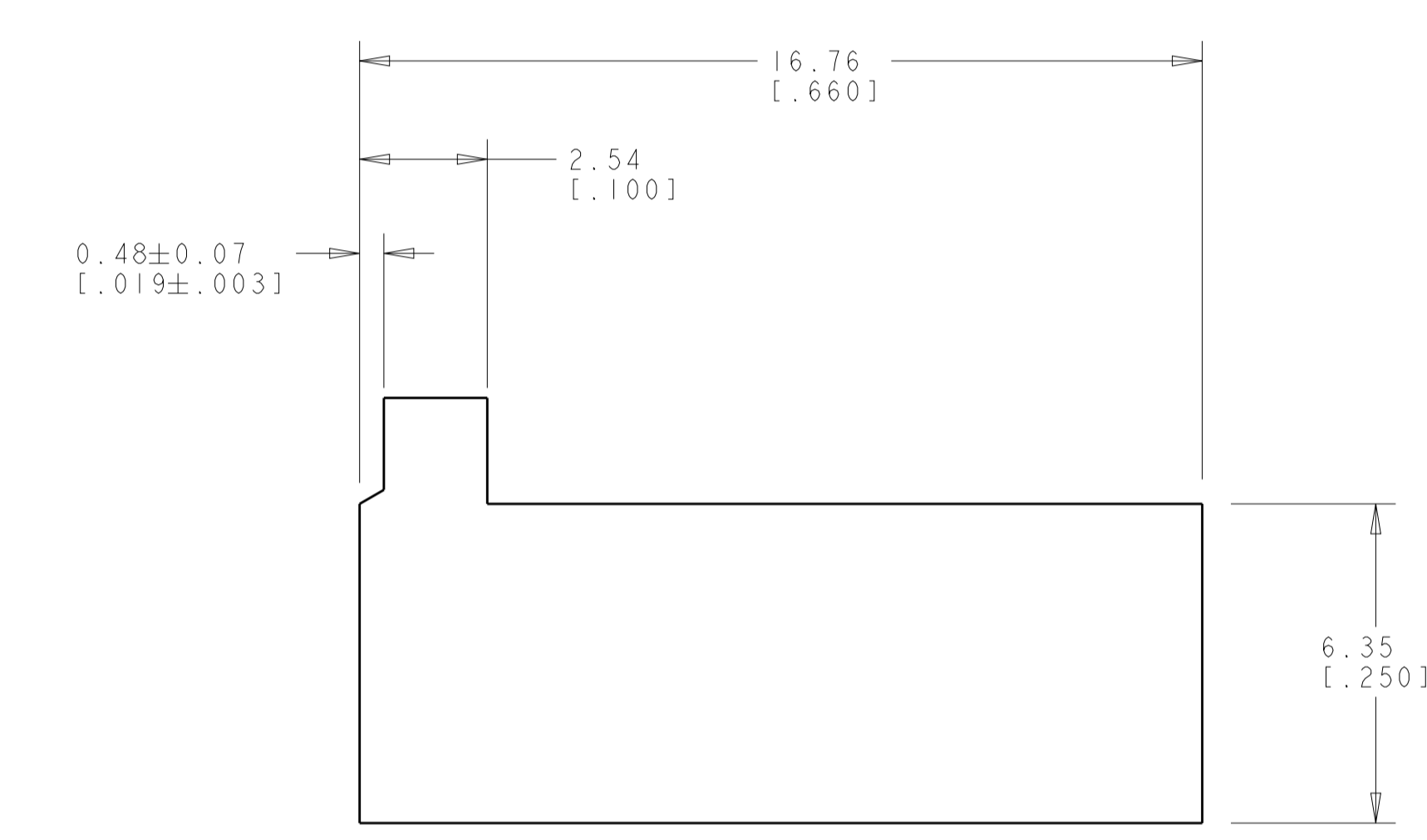
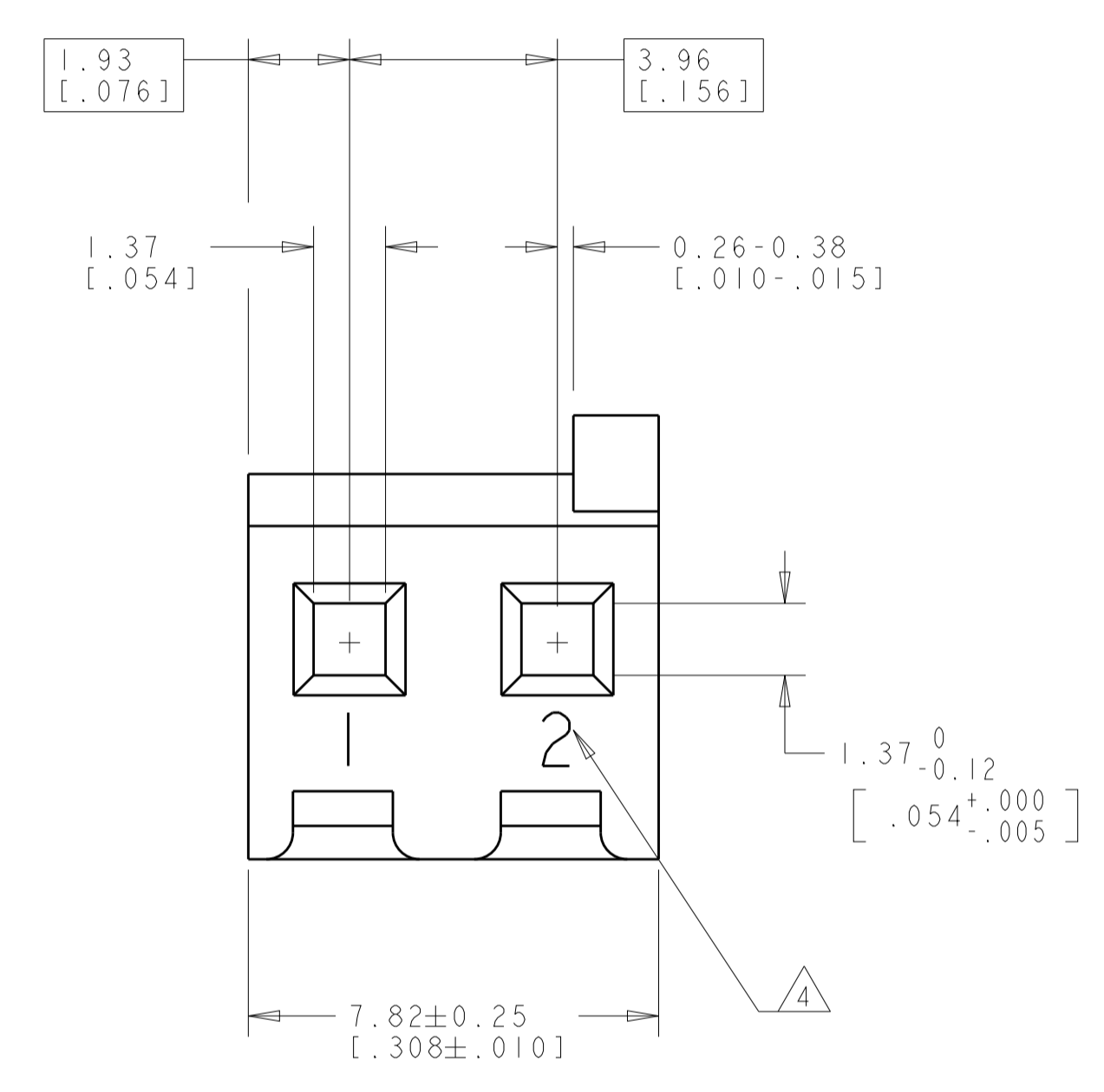


LOC	DIST	REVISIONS					
		P	LTN	DESCRIPTION	DATE	DWN	APVD
CM	00	A		REVISED PER ECO-12-007810	06AUG2012	KH	SM



1. UNIT ACCEPTS 1.14 [.045] SQUARE OR ROUND POST.
2. UNIT ACCEPTS STANDARD SL-156 CONTACTS.
3. UNIT ACCEPTS KEYING PLUG 640254-1 AND KEYING PIN 640255-1.
4. CIRCUIT I.D. NUMBER(S) TO BE LOCATED SEQUENTIALLY
5. DIMENSION IN BRACKETS ARE IN INCHES.



3-DIMENSIONAL MODEL
SCALE 5:1

2	647664-2
NO OF CIRCUITS	PART NUMBER

THIS DRAWING IS A CONTROLLED DOCUMENT.		DWN K. WHITAKER	14-JAN-04	TE Connectivity NAME HOUSING, WITH LOCKING RAMP, AND POLARIZING TAB, SPECIAL, SL-156 SIZE CAGE CODE DRAWING NO A100779C=647664 RESTRICTED TO -
DIMENSIONS: mm [INCHES]		CHK J. ELLIS	14-JAN-04	
TOLERANCES UNLESS OTHERWISE SPECIFIED:		APVD J. ELLIS	14-JAN-04	
0 PLC ± 1 PLC ± 2 PLC ±0.13 [.005] 3 PLC ± 4 PLC ± ANGLES ± 40° 30'		PRODUCT SPEC	APPLICATION SPEC	
MATERIAL NYLON, UL 94V-0 NATURAL		FINISH	WEIGHT	CUSTOMER DRAWING
		SCALE	8:1	SHEET 1 OF 1 REV A