

# TW2605



When precision matters.®

## TW2605 Embedded Iridium™ Certified Antenna

Frequency Coverage: Iridium

### Overview

The TW2605 employs Tallysman's patented Accutenna® technology in an embedded, passive right-hand circularly polarised antenna for the 1616 MHz to 1626.5 MHz frequency band, certified and specially designed to maximise the performance of Iridium™ voice and data modems.

The TW2605 features a high performance dual-feed patch element that provides great axial ratio (3.0 dB max) over the entire Iridium™ frequency band, thus signals at the band edges remain truly circular, unlike the response of single-feed antennas.

The TW2605 provides excellent Iridium™ signal coverage and comes in a compact circular form factor with a built-in 50 mm diameter ground plane.

Custom tuning, cable length, and connectors are available on request.



### Applications

- Iridium™ Voice and Data Applications
- Sea & land container tracking
- Safety & security
- Fleet management & asset tracking
- Marine & avionics systems
- Law enforcement & public safety

### Features

- Custom high-gain 4.25 dBiC dual-feed patch
- Great axial ratio, 3.0 dB over full bandwidth
- 15 kV ESD circuit protection
- Small form factor
- Available application specific tuning
- RoHS, REACH and CE compliant

### Benefits

- Excellent circular polarized signal transmission
- Industrial temperature range
- Rugged design

**About Tallysman:** With global headquarters and manufacturing in Ottawa, Canada, Tallysman is a leading manufacturer of high-precision antennas and components for Global Navigation Satellite System (GNSS) applications. Tallysman's mission is to support the needs of a new generation of positioning systems by delivering unprecedented antenna precision at competitive prices. Learn more at [www.tallysman.com](http://www.tallysman.com)

Revision: 3.3

**Contact us:**  
[info@tallysman.com](mailto:info@tallysman.com)  
T: +1 613 591-3131

# TW2605 Embedded Iridium™ Certified Antenna

Frequency Coverage: Iridium

## Antenna

Technology: Dual-feed RHCP ceramic patch

		Gain dBic typ. at Zenith	Axial Ratio dB at Zenith
<b>GNSS</b>			
GPS / QZSS	L1	-	-
	L2	-	-
	L5	-	-
GLONASS	G1	-	-
	G2	-	-
	G3	-	-
Galileo	E1	-	-
	E5A	-	-
	E5B	-	-
	E6	-	-
BeiDou	B1	-	-
	B2	-	-
	B2a	-	-
	B3	-	-
IRNSS / NavIC	L5	-	-
QZSS	L6	-	-
L-Band Services (1525 MHz - 1559 MHz)		-	-
<b>Satellite Communications</b>			
Iridium		4.25	≤ 3
Globalstar		-	-
<b>Other</b>			
Axial Ratio at 10°	-	Efficiency	-
PC Variation	-		

## Mechanicals

Size	49.7 mm (dia.) x 7.1 mm (h.)
Weight	100 g
Radome	-
Mount	-

## Environmental

Operating Temperature	-40 °C to +85 °C
Storage Temperature	-
Vibration	MIL-STD-810-D
Shock	Vertical axis: 50 G, other axes: 30 G
Salt Fog	-
IP Rating	Not Applicable
Compliance	IPC-A-610, FCC, RED / CE Mark, RoHS, REACH

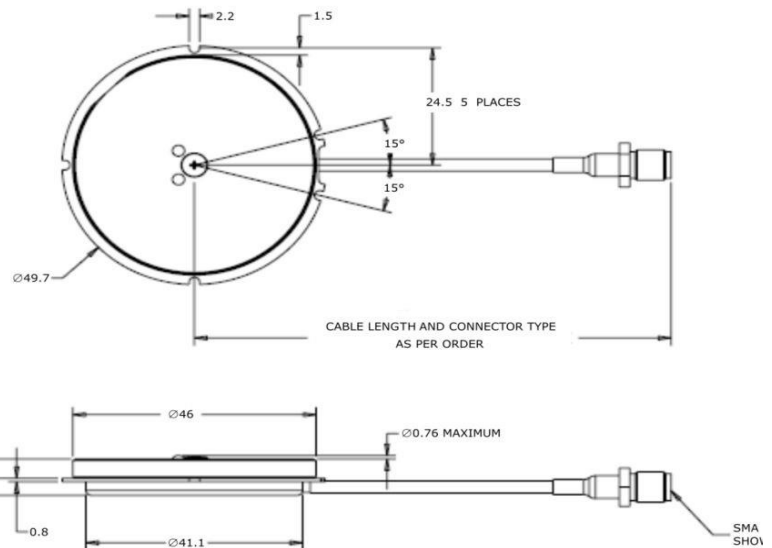
## Warranty:

Parts and Labour	One year (extended warranty available)
------------------	--

## Low Noise Amplifier (LNA) - Measured at 3V and 25°C

Frequency Bandwidth		Out of Band Rejection	
		Upper Band	Lower Band
1616 - 1626 MHz	-	-	-

Architecture	Non pre-filtered
Gain	-
Noise Figure	-
VSWR	< 1.5:1 typ. 1.8:1 max
Supply Voltage Range	-
Supply Current	-
ESD Circuit Protection	15 kV air discharge
P 1dB Output	-
Group Delay	-



## Ordering Information

Part Number: **33-2605-xx-zzzz**

Where xx = type of connector | zzzz = cable length in mm

Please refer to our **Ordering Guide** to review available radomes and connectors at: <https://www.tallysman.com/resource/tallysman-ordering-guide/>