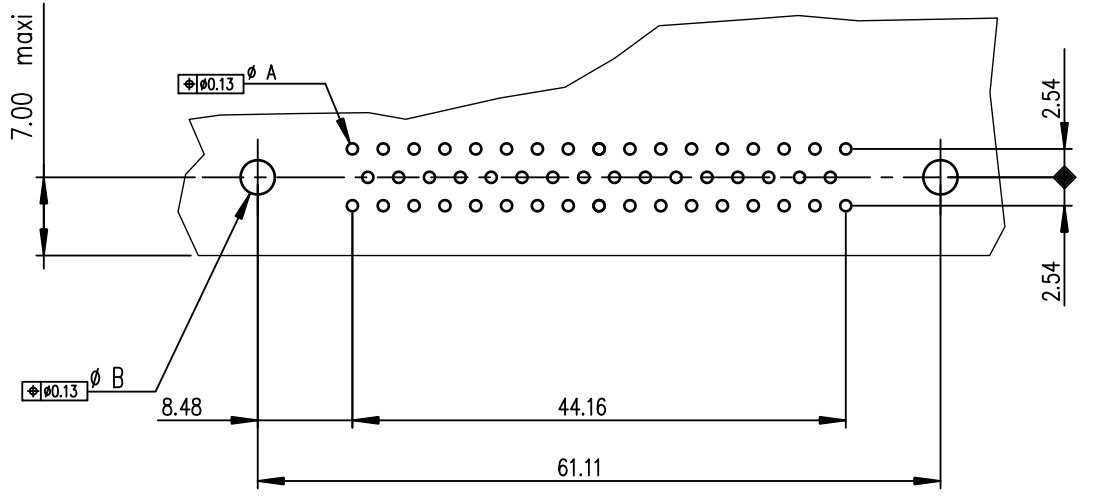
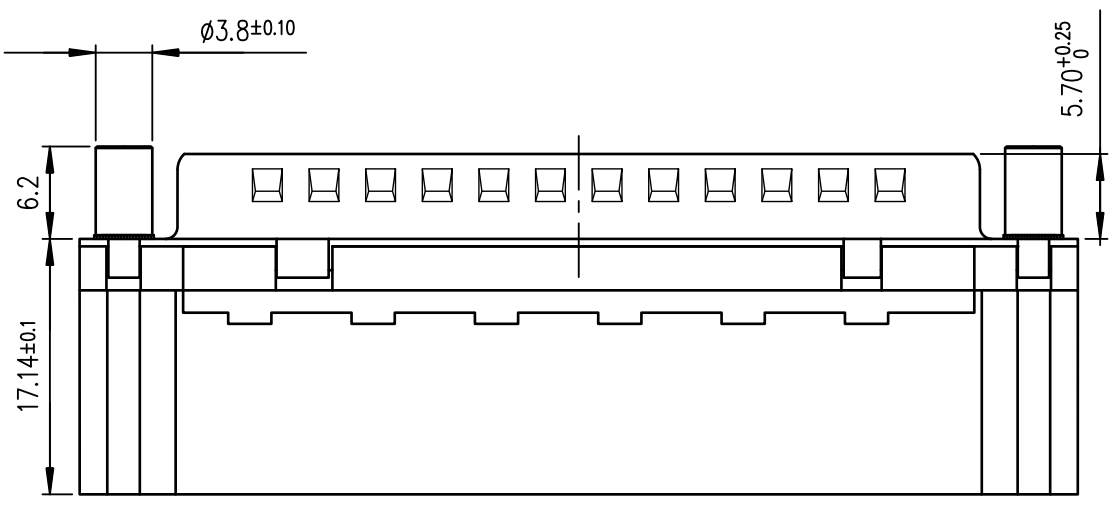
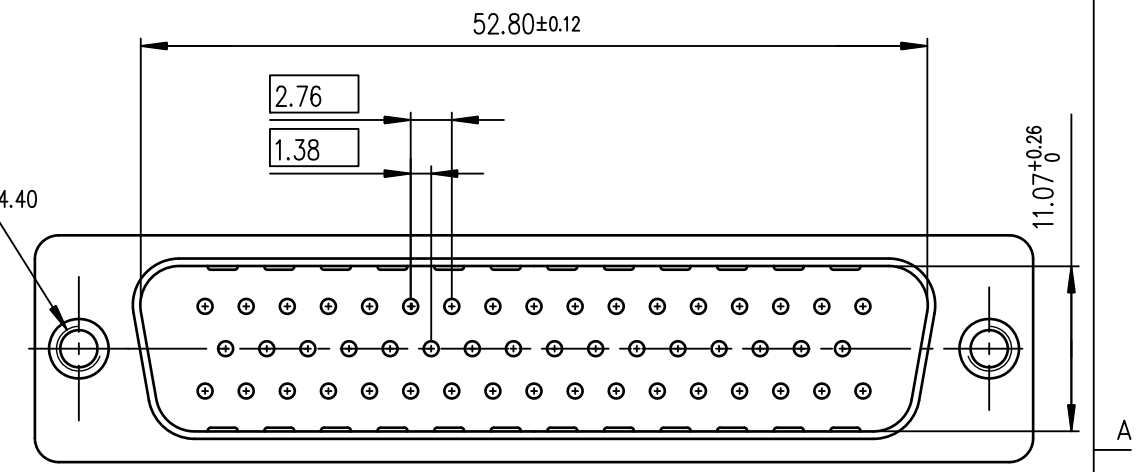
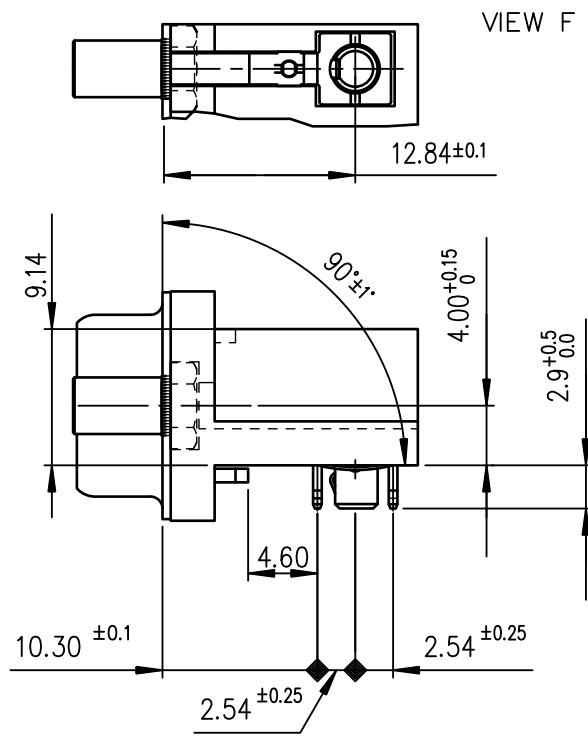
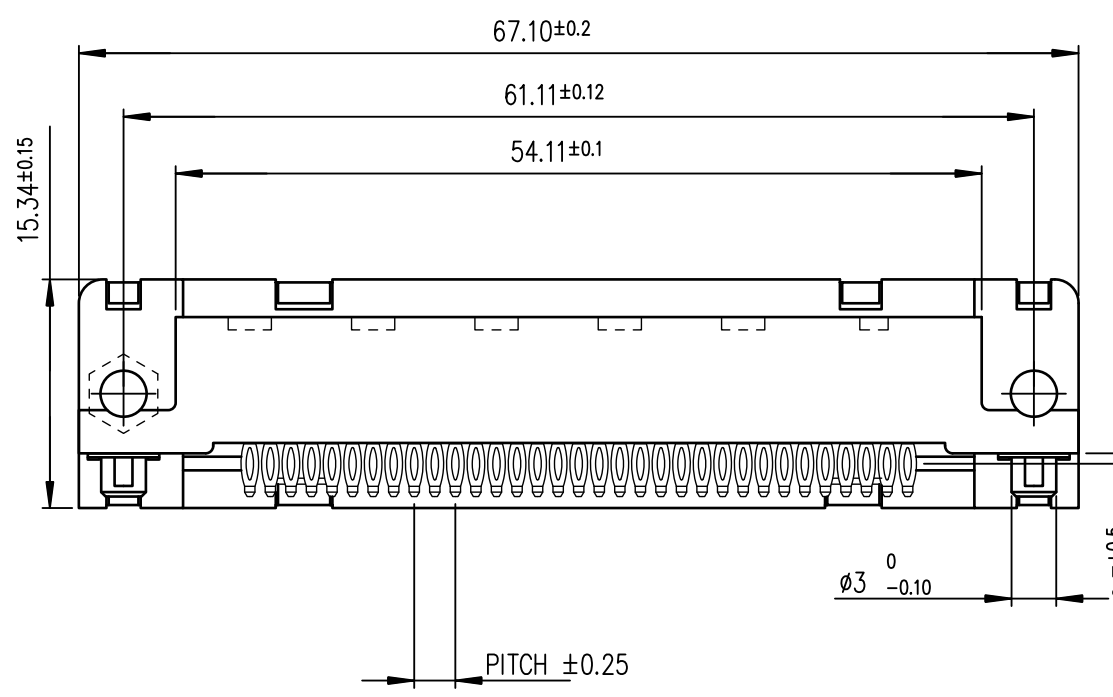




Copyright FCI

FCIconnect.com



TIN LEAD PART NUMBER

D50P82C4GV00	D50P82C6GV00
Gold flash	0.76 μ gold

LEAD FREE PART NUMBER

D50P82C4GV00LF	D50P82C6GV00LF
Gold flash	0.76 μ gold

GENERAL CHARACTERISTICS AND ROHS INFORMATIONS:
SEE DRAWING C01-8646-0001

mat'l. code		surface ISO 1302		tolerance ISO 406 ISO 1101		projection		product family	
-		✓				MM		D-SUB	
ltr		ecn no		dr		date		title	
E		ELX-I-18050		MP		2014/06/23		DELTA-D EUROSTYLE MALE 50 RIGHT ANGLED PRESS FIT	
angles		linear						dwg no	
0°±2°								C01-8646-0397	
				dr		1995/10/17		sheet 1 of 1	
				enr		MITHUN PAUL 2014/06/23		size	
				chr		ALIAS BABU 2014/06/23		A3	
				app		BIJU K PAUL 2014/06/23		type	
								Drawing	
sheet index		revision sheet		E		1			