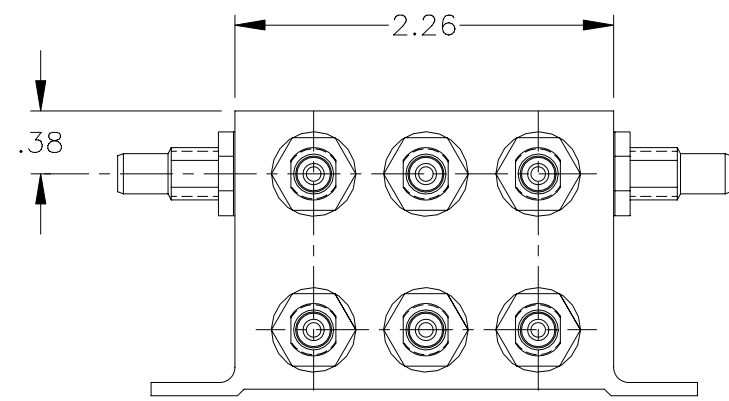
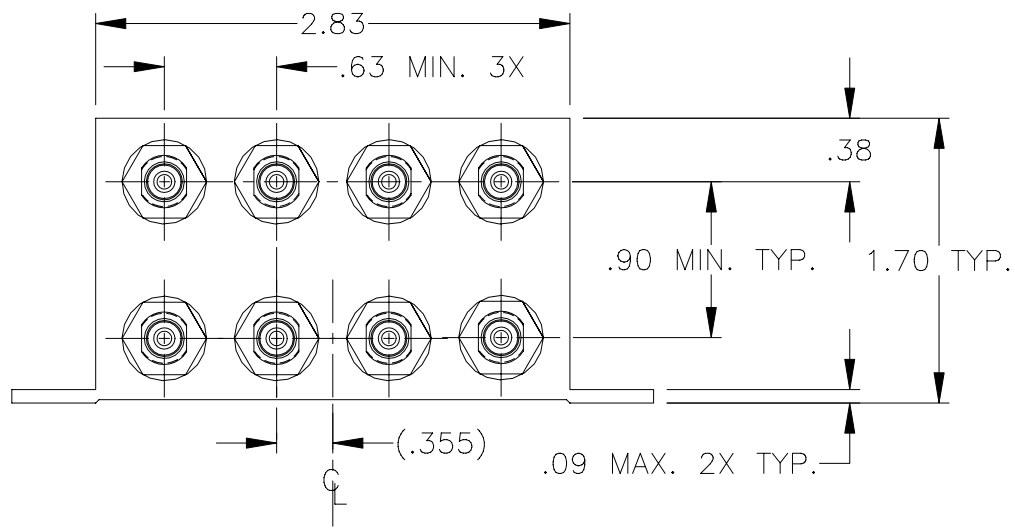
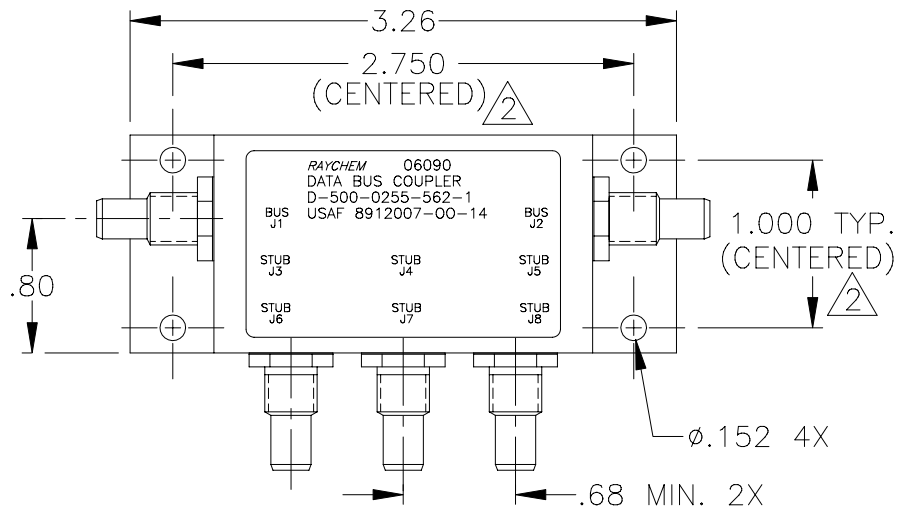
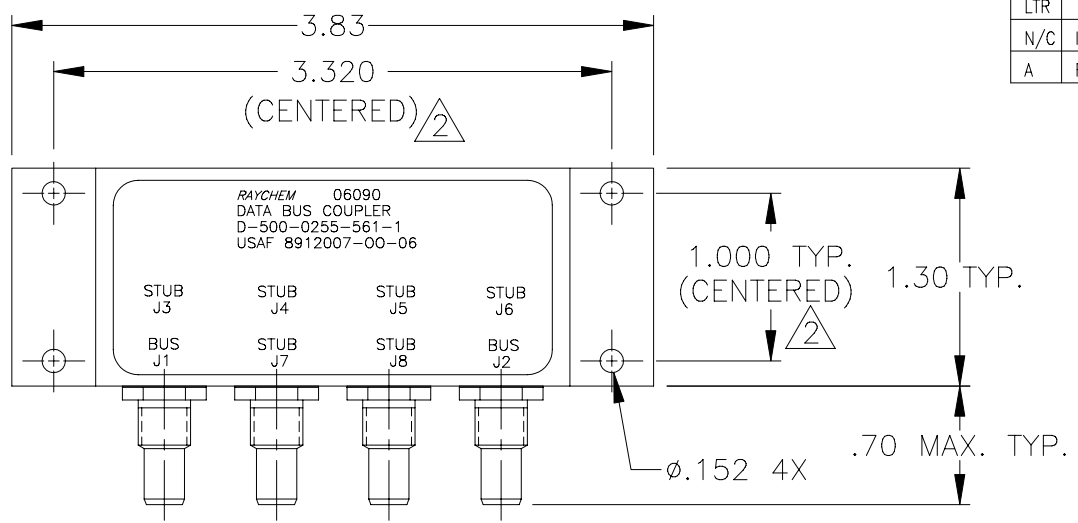


REVISIONS		DATE	APPROVED
LTR	DESCRIPTION		
N/C	INITIAL RELEASE PER ECN# T-18988	94MAR16	Z.E.T.
A	REVISED PER ECN# T-20122		



FACE MOUNT BUS CONFIGURATION  
D-500-0255-561-1

SIDE MOUNT BUS CONFIGURATION  
D-500-0255-562-1

SPECIFICATION CONTROL DRAWING

- 3 WEIGHT: D-500-0255-561-1 195 GRAMS MAX.  
D-500-0255-562-1 178 GRAMS MAX.
- 2 HOLE PATTERN MACHINED SYMMETRIC TO MOUNTING FLANGE.
- 1. ORIENTATION OF CONNECTORS IS APPROXIMATELY AS SHOWN.

NOTES: If this document is printed it becomes uncontrolled.  
Check for the latest revision.

UNLESS OTHERWISE SPECIFIED DIMENSIONS ARE IN INCHES. METRIC DIMENSIONS ARE IN BRACKETS.	DRAWN	J.B.K.	94MAR09	<b>tyco</b> <b>Electronics</b>	Tyco Electronics Corporation 300 Constitution Drive Menlo Park, CA. 94025 U.S.A.	<b>Raychem</b>				
	CHECKED	Z.E.T.	94MAR16							
	DECIMALS	.XXX ±.010	[ — mm	TITLE	6 STUB, DATA BUS BOX COUPLER WITH THREADED TRIAXIAL CONNECTORS (FACE MOUNT & SIDE MOUNT BUS CONFIGURATION)					
	ANGLES	.XX ±.03	[ — mm]	APPROVED	P.J.D.	94MAR16	SIZE	CODE IDENT. NO.	DWG. NO.	REV
WEIGHT	3		APPROVED			A	06090	D-500-0255-561/562-1	A	
			CAD NAME	009186-1.DWG			DO NOT SCALE THIS DRAWING			SHEET 1 OF 2
			THIRD ANGLE PROJECTION							

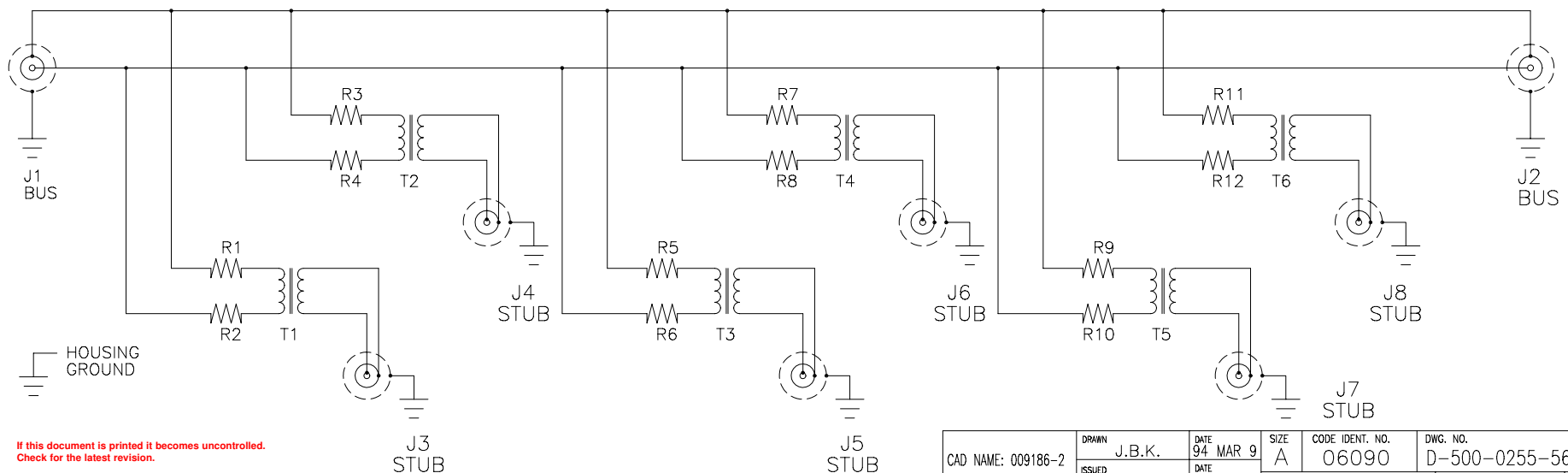
1.0 INTERMATEABILITY

BUS JACKS J1 AND J2	MATING PLUG
DK-621-0412-P (8340711-00-01)	DK-621-0411-S (8340709-00-02)

STUB JACK J3 THRU J8	MATING PLUG
DK-621-0412-S (8340711-00-02)	DK-621-0411-P (8340709-00-01)

2.0 PERFORMANCE

- 2.1 THIS COUPLER IS DESIGNED TO MEET THE APPLICABLE FUNCTIONAL REQUIREMENT OF RAYCHEM SPECIFICATION D-6021 AND USAF 8912007.
- 2.2 THE COUPLER SHALL OPERATE UNDER ANY OF THE ENVIRONMENTAL SERVICE CONDITIONS AS SPECIFIED IN MIL-E-5400, CLASS  $\nabla$  UPGRADED TO 125°C CONTINUOUS OPERATION.
- 2.3 ALTITUDE: SEA LEVEL TO 75,000 FEET

SCHEMATIC DIAGRAM

If this document is printed it becomes uncontrolled.  
Check for the latest revision.

CAD NAME: 009186-2	DRAWN J.B.K.	DATE 94 MAR 9	SIZE A	CODE IDENT. NO. 06090	DWG. NO. D-500-0255-561/562-1
	ISSUED	DATE	DO NOT SCALE THIS DRAWING		SHEET 2 OF 2