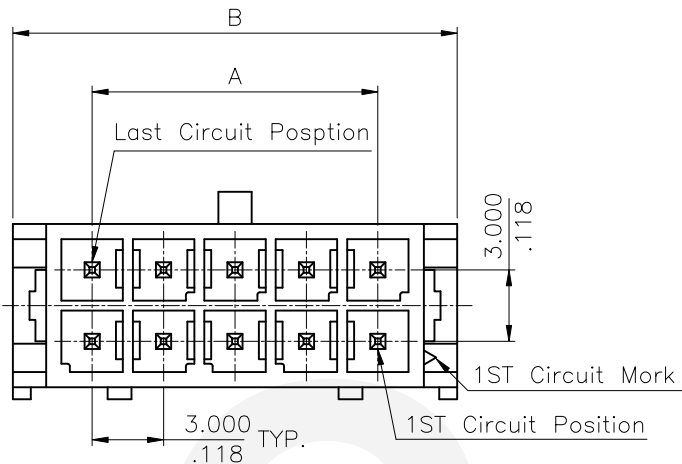


Material:

- △ ③ * Insulation: High Temperature Plastic, Color Black
- * Contact: Brass

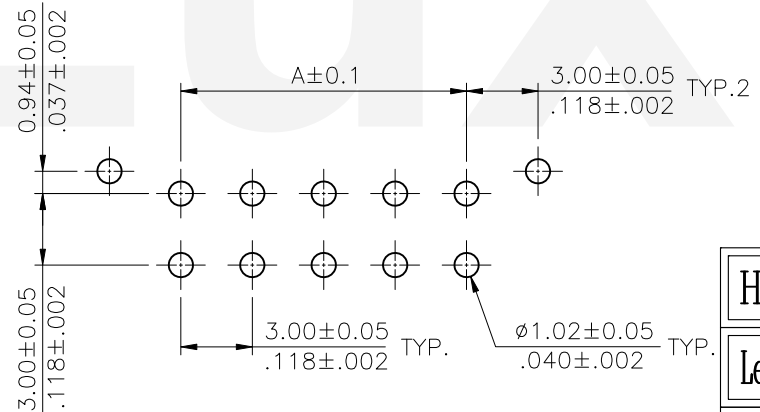
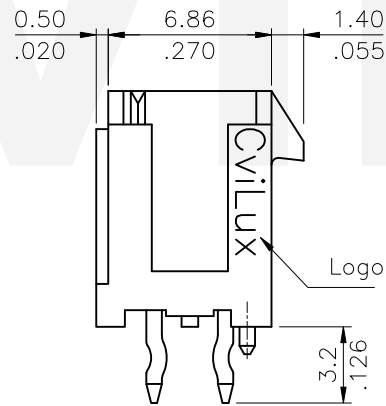
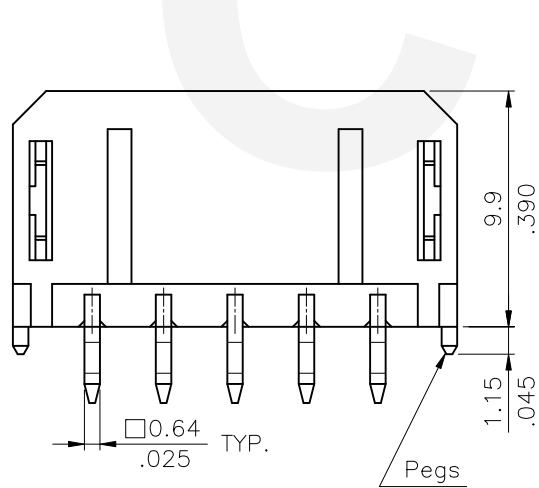


Circuits	Dimension	
	A	B
2	—	6.7(.264)
4	3.00(.118)	9.7(.382)
6	6.00(.236)	12.7(.500)
8	9.00(.354)	15.7(.618)
10	12.00(.472)	18.7(.657)
12	15.00(.591)	21.7(.854)
14	18.00(.709)	24.7(.972)
16	21.00(.827)	27.7(1.091)
18	24.00(.945)	30.7(1.209)
20	27.00(1.063)	33.7(1.327)
22	30.00(1.181)	36.7(1.445)
24	33.00(1.299)	39.7(1.563)

Ordering Code:

CP35 ** P * V 0 0 -NH
 ① ② ③ ④ ⑤ ⑥ ⑦ ⑧

- ① Series No.
- ② No. of Circuits: 02~24
- ③ Contact type: P= Plug
- △ ④ Contact plated:
 - 1= Matte Tin plated over Nickel
 - 2= Gold flash plated over 50μ" Nickel
- ⑤ V= Straight
- ⑥ Mount type : 0= Dip Type
- ⑦ Other options: 0= With pegs(Standard)
- ⑧ -NH= For Lead Free IR Processes and Halogen-Free




Recommended P.C. Board layout

Halogen-Free

Lead Free Process

RoHS Compliant

SYM	NAME	DATE	REVISIONS	APPROVED BY:	DATE	UNIT: mm / inch	TITLE: 3.00mm PITCH STRAIGHT HEADER POWER CONNECTOR	 瀚荃股份有限公司 CviLux Corporation
④								
③	Michelle	11/20-19'	ECRB11905/ECNT119313	DRAWN BY: Michelle	11/19-19'	TOLERANCE UNLESS OTHERWISE SPECIFIED		
②	Sun	1/28-19'	ECNT119031	ENGINEER: Sun	11/19-19'	.X ± 0.30/.012 X' ± 1'	MATERIAL:	
①	Sun	8/14-14'	ECRT114036/ECNT114170	CHECKED BY: Eisley	12/13-19'	.XX ± 0.20/.008 .X' ±	FINISH:	
				APPROVED BY: Eisley	12/13-19'	.XXX ± 0.10/.004 .XX' ±		

CIVILUX
 2019.12.20
 ISSUED