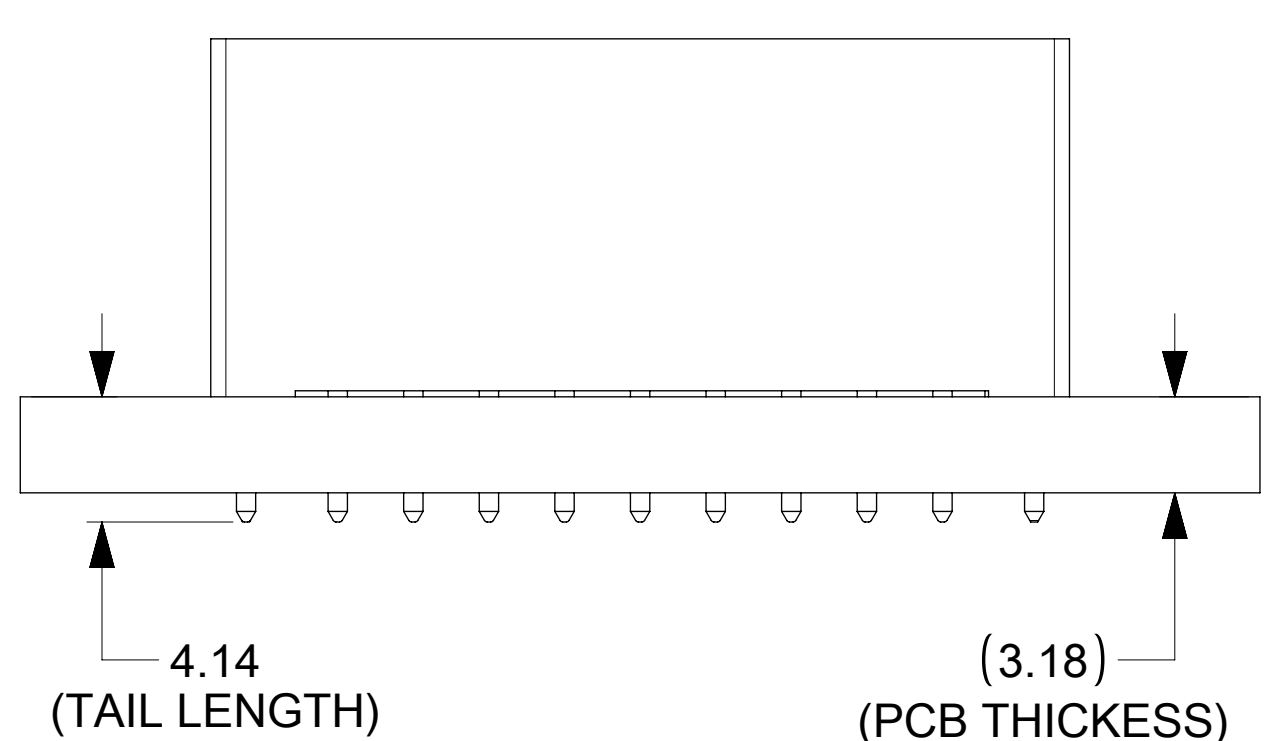
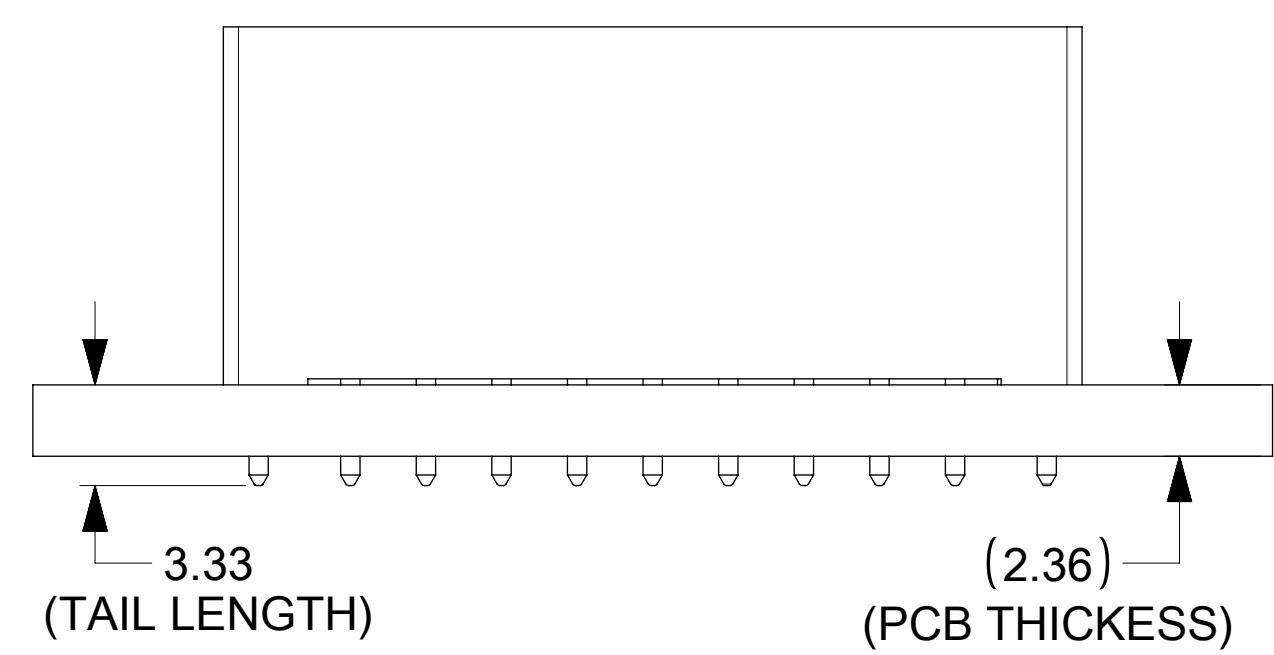
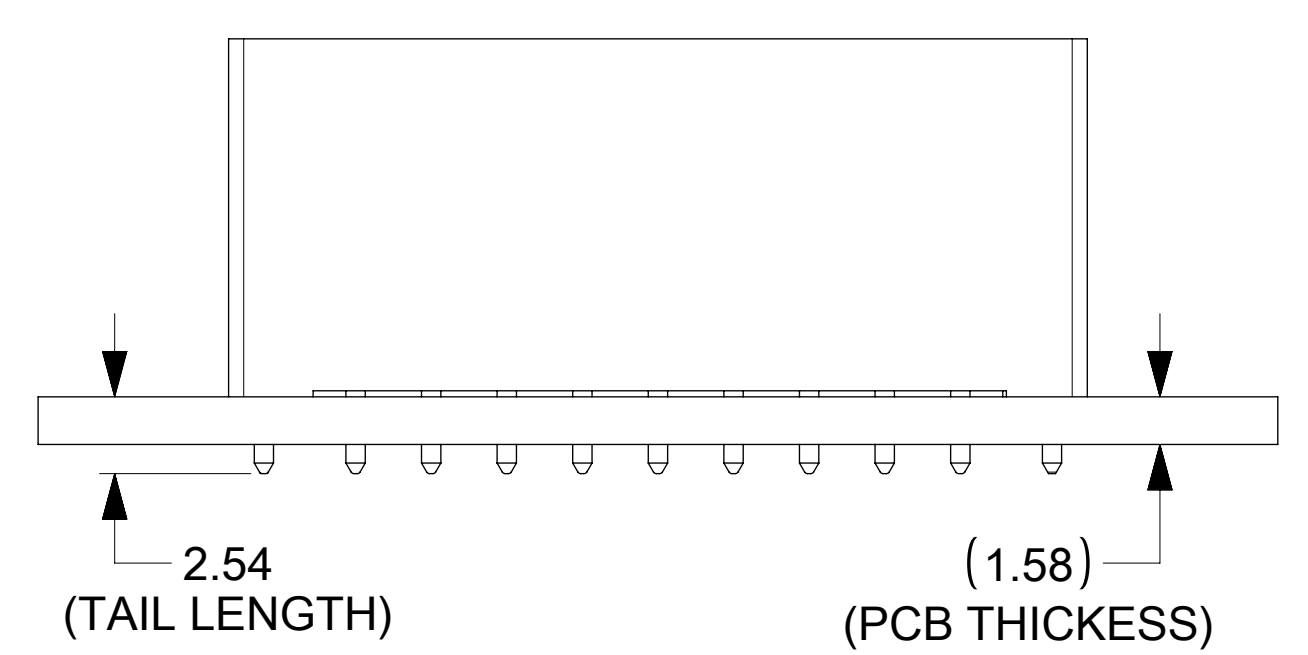


- NOTES:**
- MATERIALS:**
    - TERMINALS & COMPLIANT PINS: COPPER ALLOY
    - POLYMER WITH GLASS FILLED; COLOR:BLACK
    - OTHER COMPONENT: STAINLESS STEEL
  - PLATING:**
    - CONTACT AREA: GOLD.
    - REST AREA: SILVER WITH TARNISH INHIBITOR
  - MATES WITH THE STANDARD PIN DRAWINGS:**
    - 11.0MM SCREW MOUNT DRAWING 2139020000-SD, MIN MATING DISTANCE 8.50MM
  - PRODUCT SPECIFICATION:** 2151130000-PS (REFER THIS FOR PLATED THRU HOLE SIZE)
  - APPLICATION SPECIFICATION:** 2151130000-AS
  - PACKAGING SPECIFICATION:** 2167950000-PK
  - SILVER COMPONENTS WILL BE SUPPLIED TARNISH FREE BUT MAY TARNISH OVER TIME.
  - MAX. OFFSET MATING IS 1.00MM IN ALL DIRECTION WITHIN X-Y PLAN.
  - RECOMMENDED PCB THICKNESS (REFER TO RESPECTIVE TAIL VIEW) / TABLE IN SHEET 2.
  - MODULE ASSEMBLY IS RoHS COMPLIANT.
  - MEET COSMETIC SPEC PS-45499-002; CLASS B.
  - FOR USE WITH '2-32' TYPE AB SELF THREADING SCREWS. MOLEX SCREW P/N 73726-XXXX OF LENGTH X.XXMM (SCREWS INCLUDED: TBD). MAX TORQUE IS 4IN-LBS.
  - ONLY COMPLIANT PIN WITH PLANE HOUSING (PN: 2141320001) IS TOOLED AND ONLY DESIGN EXIST FOR REST ALL PART NUMBERS. REFER TABLE IN SHEET 2 FOR TOOLING STATUS. CONTACT MOLEX FOR MORE INFORMATION.

**SOLDER-TAIL VERSION (NOT TOOLED) (SEE NOTE 13)**



THIS DRAWING CONTAINS INFORMATION THAT IS PROPRIETARY TO MOLEX ELECTRONIC TECHNOLOGIES, LLC AND SHOULD NOT BE USED WITHOUT WRITTEN PERMISSION

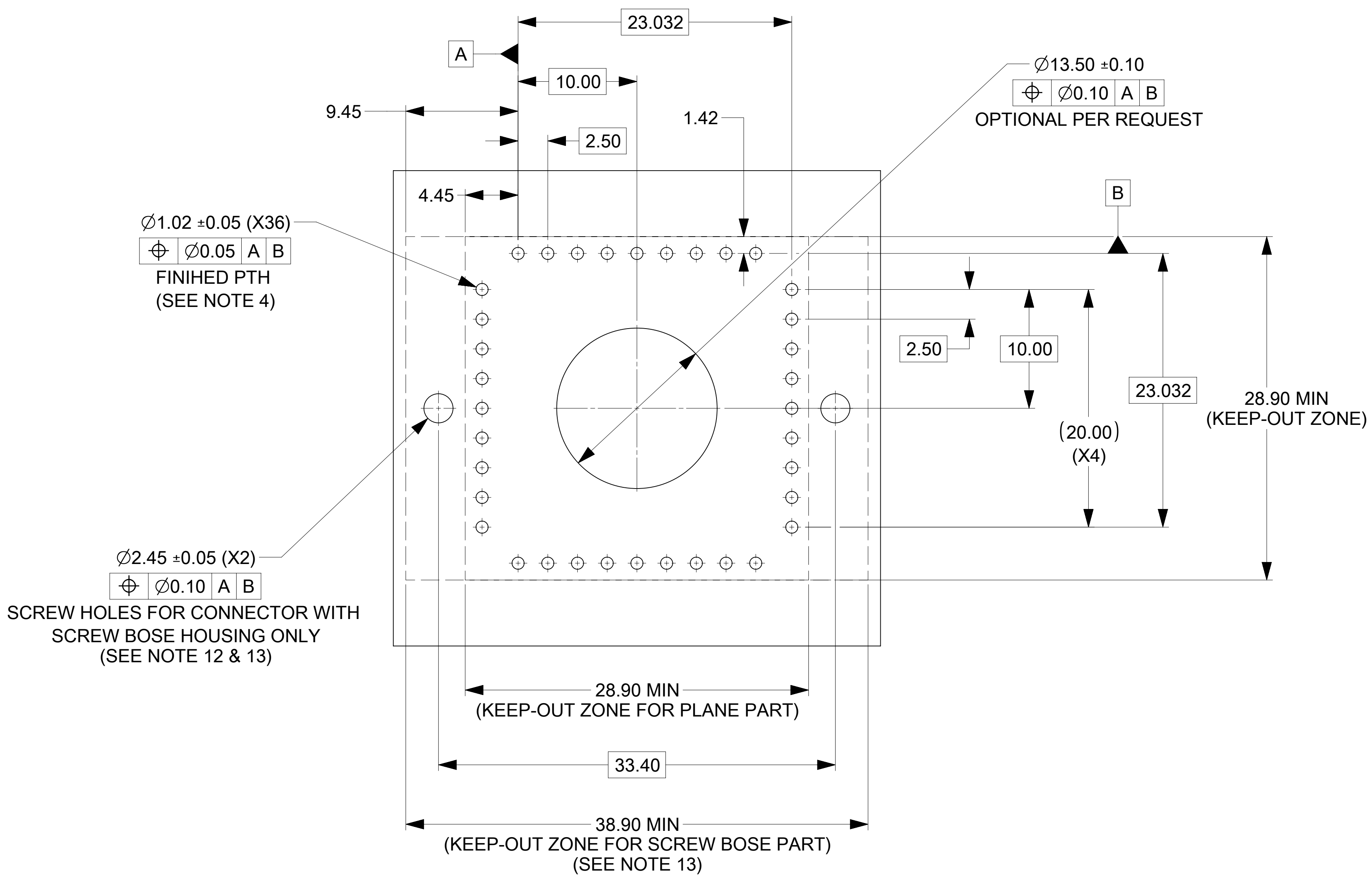
DIMENSION UNITS	SCALE	CURRENT REV DESC: UPDATED NOTE 6.	
mm	4:1		
GENERAL TOLERANCES (UNLESS SPECIFIED)			
ANGULAR TOL	± 3.0°		
4 PLACES	±	EC NO: 692327	2021/12/16
3 PLACES	±	DRWN: SCS02	2022/01/20
2 PLACES	± 0.38	CHK'D: JJONIAK	2022/01/20
1 PLACE	± 0.25	APPR: JJONIAK	2022/01/20
0 PLACES	±	INITIAL REVISION:	
DRAFT WHERE APPLICABLE MUST REMAIN WITHIN DIMENSIONS		DRWN: SCS02	2021/12/08
		APPR: JJONIAK	2021/12/09
THIRD ANGLE PROJECTION	DRAWING	SERIES	MATERIAL NUMBER
	D-SIZE	216795	SEE TABLE
		CUSTOMER	SHEET NUMBER
		GENERAL MARKET	1 OF 2

**molex**

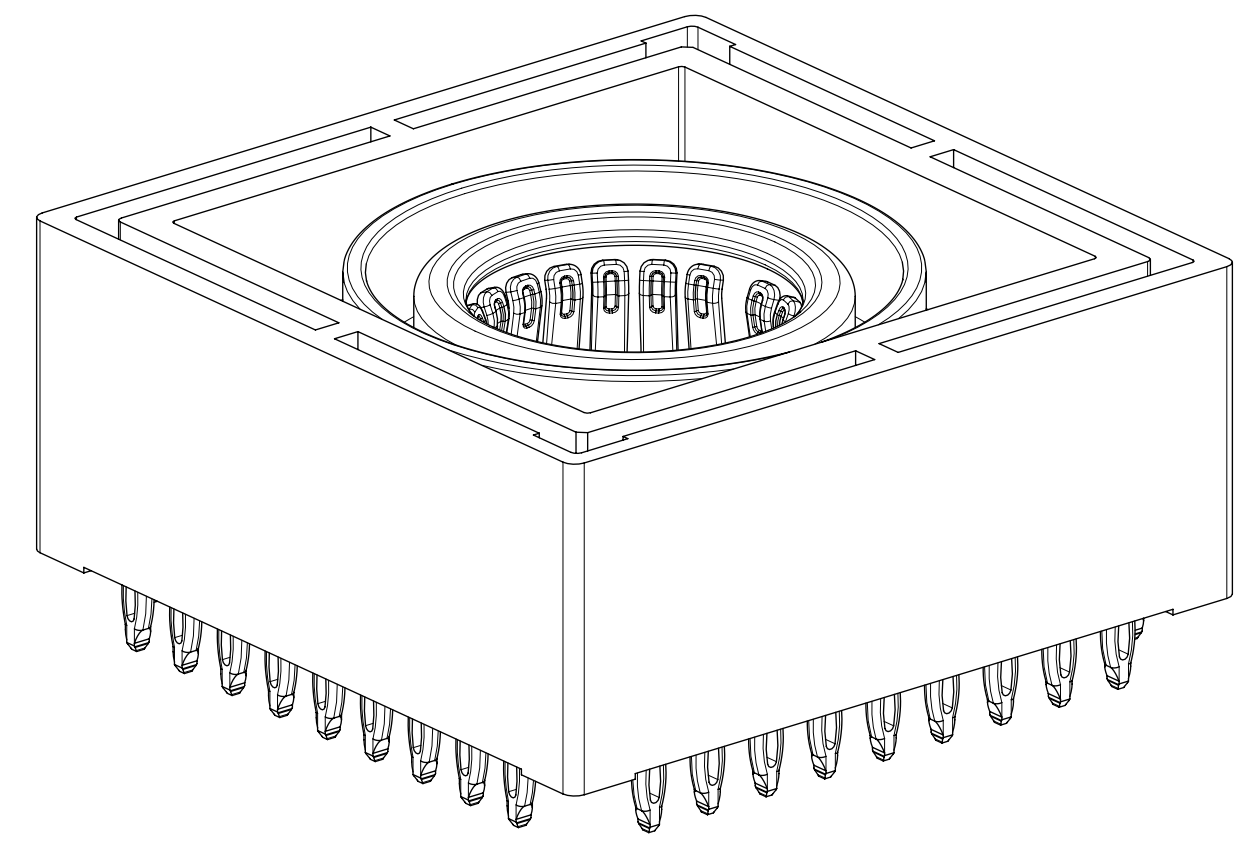
ASSEMBLY, COMPLIANT-PIN & SOLDER-TAIL  
11.00MM COEUR CENTRALITY EON, WITH FLOAT

PRODUCT CUSTOMER DRAWING

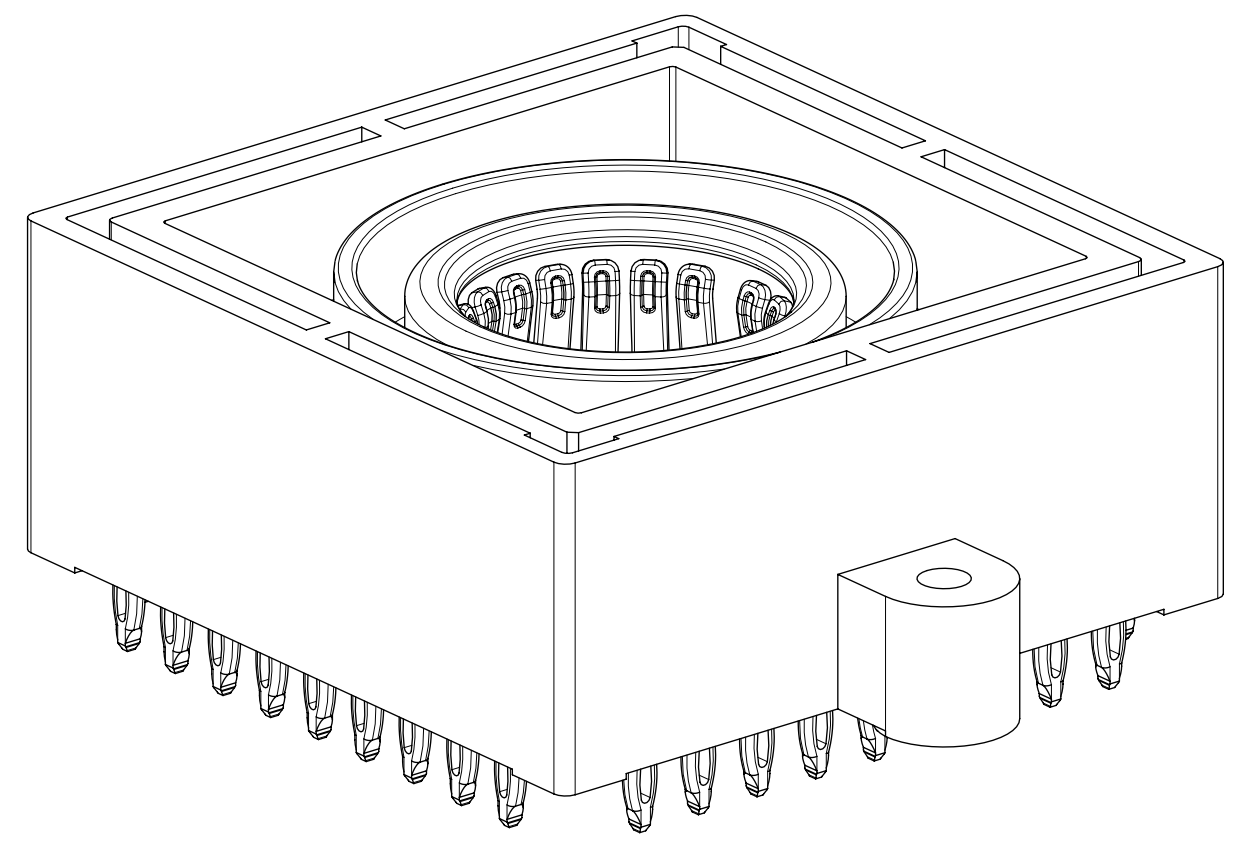
DOCUMENT NUMBER: 2167950000-SD  
DOC TYPE: PSD  
DOC PART: 000  
REVISION: A1



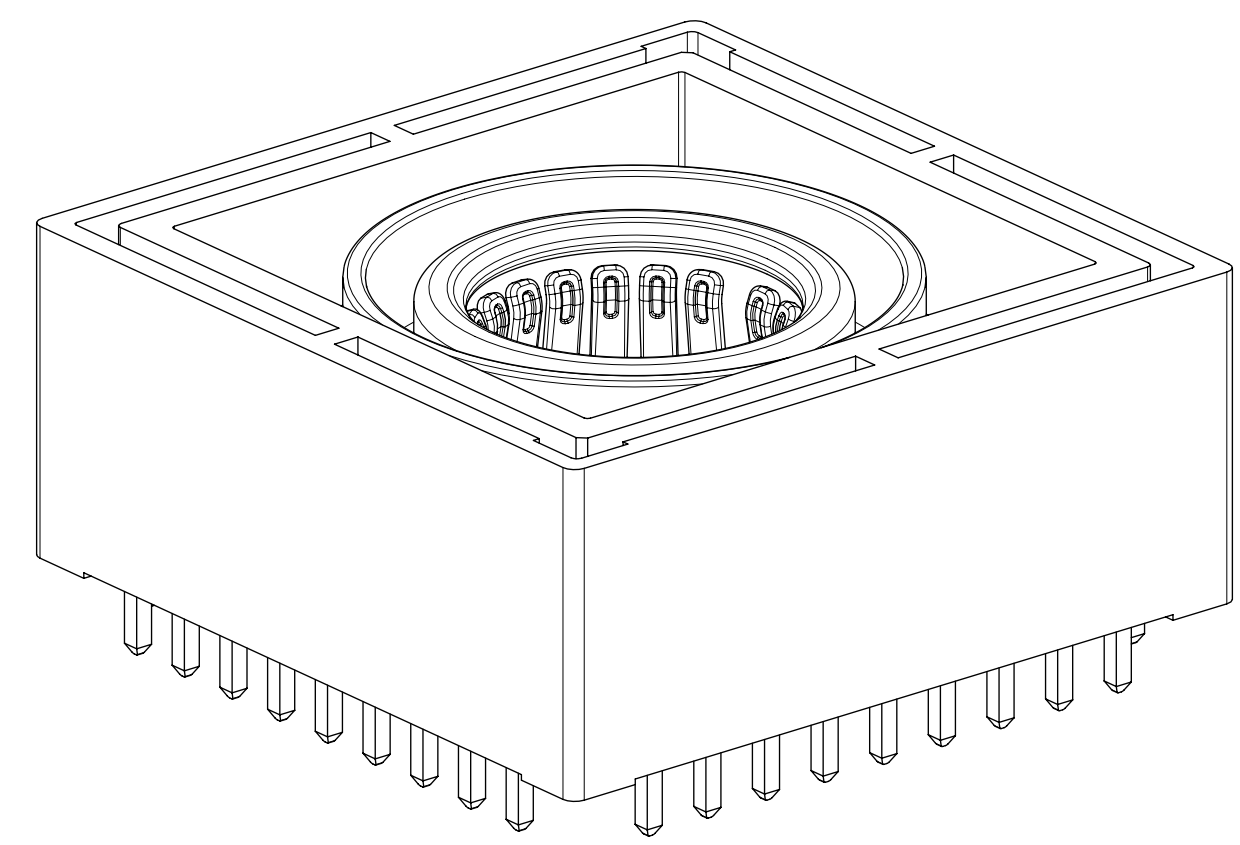
RECOMMENDED PCB LAYOUT



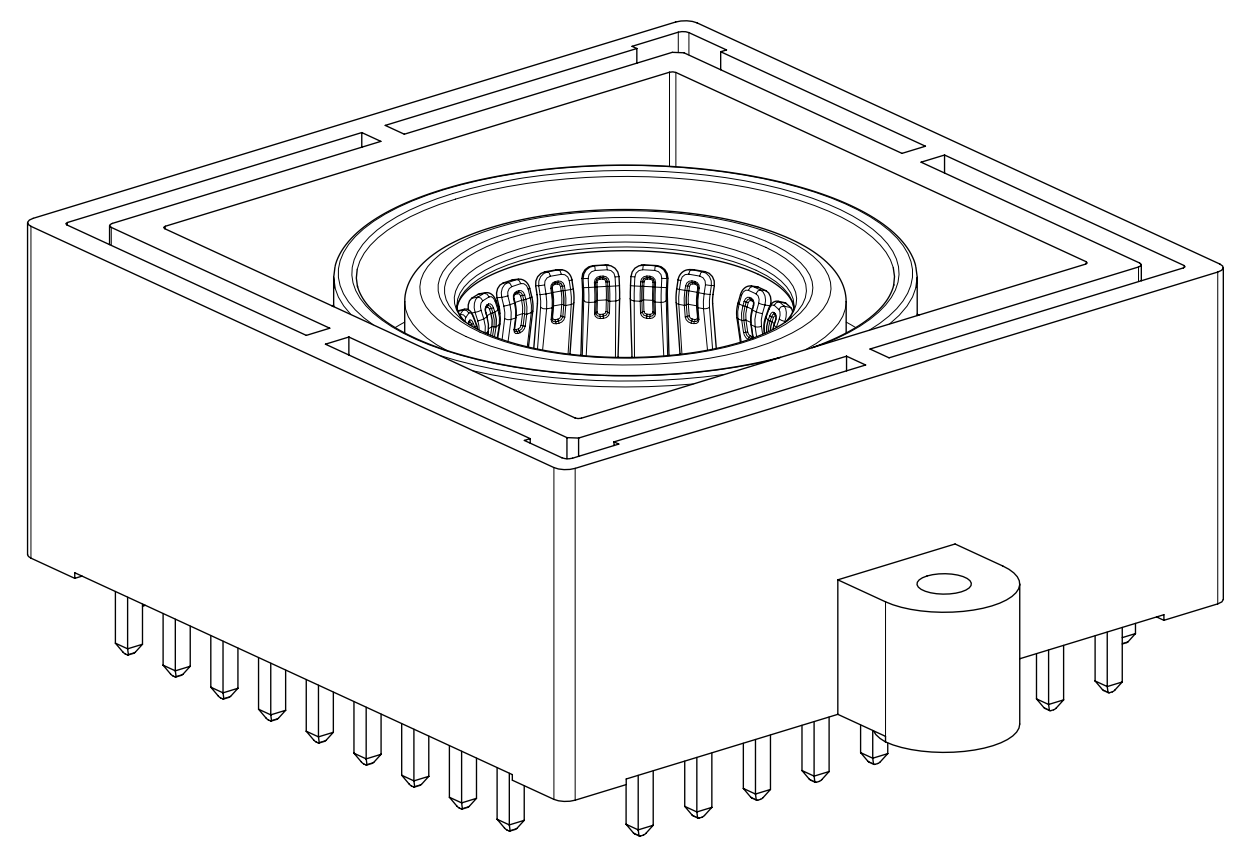
COMPLIANT-PIN ASSEMBLY WITH PLANE HOUSING (PN: 216795-0001)



COMPLIANT-PIN ASSEMBLY WITH PLANE SCREW BOSS HOUSING (PN: 216795-0005) (SEE NOTE 13)



SOLDER-TAIL ASSEMBLY WITH PLANE HOUSING (PN: 216795-0002) (SEE NOTE 13)



SOLDER-TAIL ASSEMBLY WITH SCREW BOSS HOUSING (PN: 216795-0006) (SEE NOTE 13)

PART NUMBER	TERMINATION STYLE	SCREW BOSS	PCB THICKNESS	TOOLING STATUS
216795-0001	COMPLIANT PIN (FOR .062" MIN PCB)	NO	1.58 MM MIN.	TOOLED
216795-0002	SOLDER TAIL (FOR .062" PCB)		1.58 MM	NOT TOOLED
216795-0003	SOLDER TAIL (FOR .093" PCB)		2.36 MM	
216795-0004	SOLDER TAIL (FOR .125" PCB)		3.18 MM	
216795-0005	COMPLIANT PIN (FOR .062" MIN PCB)	YES	1.58 MM MIN.	
216795-0006	SOLDER TAIL (FOR .062" PCB)		1.58 MM	
216795-0007	SOLDER TAIL (FOR .093" PCB)		2.36 MM	
216795-0008	SOLDER TAIL (FOR .125" PCB)		3.18 MM	

THIS DRAWING CONTAINS INFORMATION THAT IS PROPRIETARY TO MOLEX ELECTRONIC TECHNOLOGIES, LLC AND SHOULD NOT BE USED WITHOUT WRITTEN PERMISSION

DIMENSION UNITS	SCALE	CURRENT REV DESC: UPDATED NOTE 6.	
mm	4:1		
GENERAL TOLERANCES (UNLESS SPECIFIED)			
ANGULAR TOL	± 3.0°		
4 PLACES	±	EC NO: 692327	
3 PLACES	±	DRWN: SCS02	2021/12/16
2 PLACES	± 0.38	CHK'D: JJONIAK	2022/01/20
1 PLACE	± 0.25	APPR: JJONIAK	2022/01/20
0 PLACES	±	INITIAL REVISION:	
DRAFT WHERE APPLICABLE MUST REMAIN WITHIN DIMENSIONS		DRWN: SCS02	2021/12/08
		APPR: JJONIAK	2021/12/09
THIRD ANGLE PROJECTION	DRAWING	SERIES	MATERIAL NUMBER
	D-SIZE	216795	SEE TABLE
		CUSTOMER	SHEET NUMBER
		GENERAL MARKET	2 OF 2

**molex**

ASSEMBLY, COMPLIANT-PIN & SOLDER-TAIL 11.00MM COEUR CENTRALITY EON, WITH FLOAT

PRODUCT CUSTOMER DRAWING

DOCUMENT NUMBER	DOC TYPE	DOC PART	REVISION
2167950000-SD	PSD	000	A1