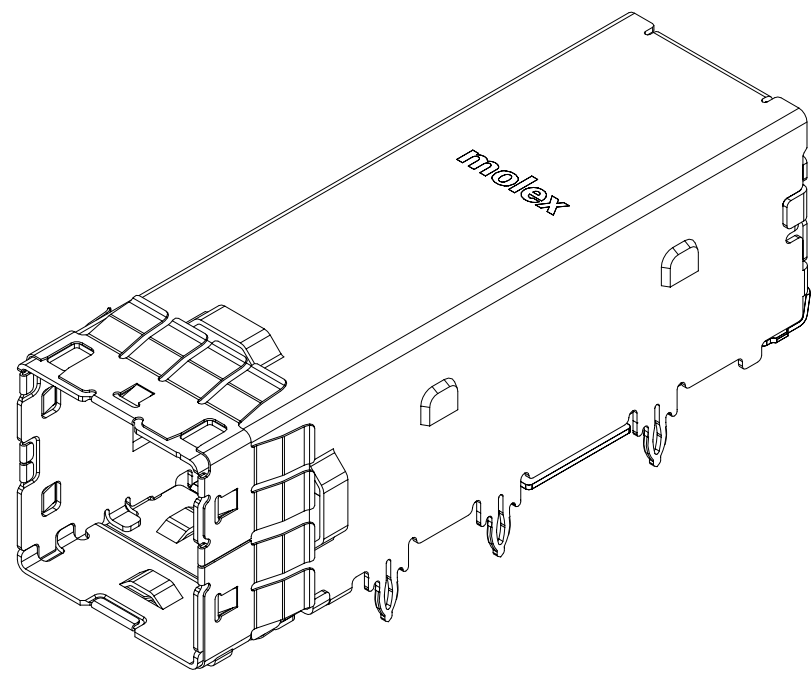
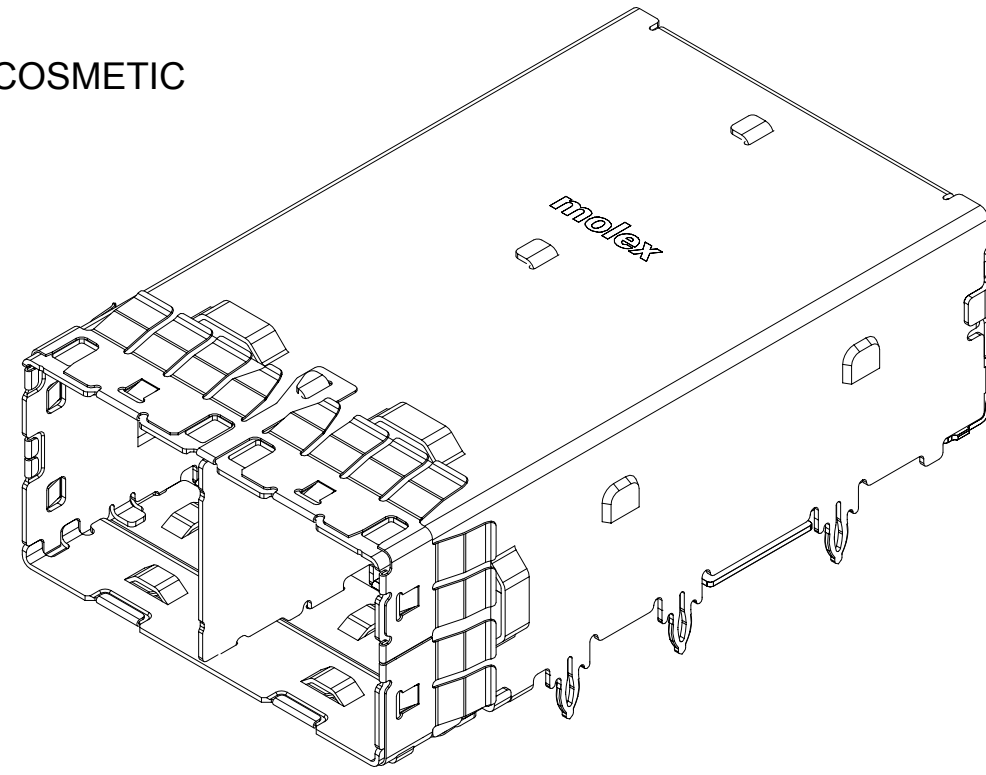
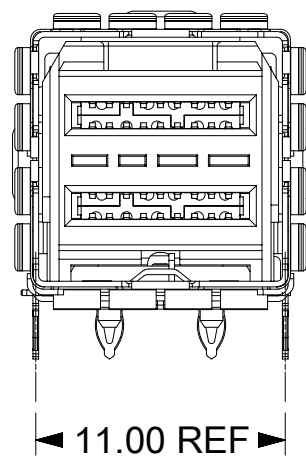


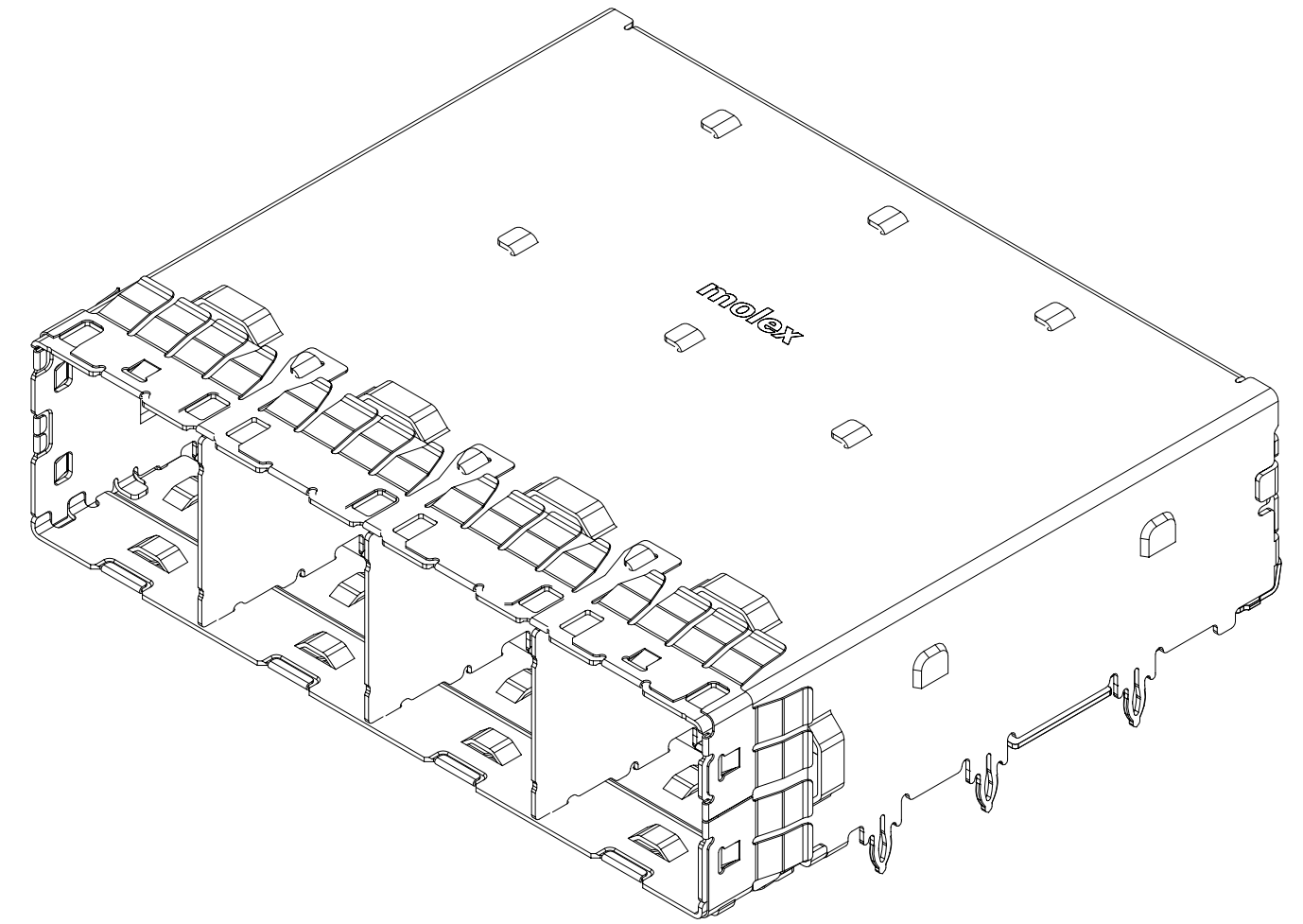
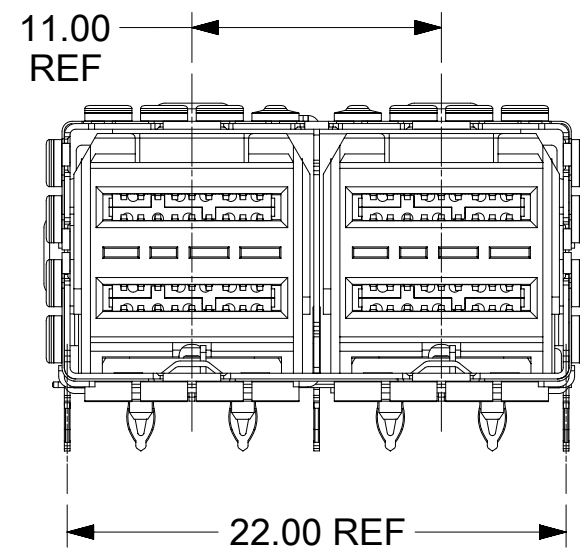
- NOTES:
1. FOR 2 PEG CONNECTOR DETAILS REFER TO SALES DRAWING: PSD 1724730011
 2. FOR 3 PEG CONNECTOR DETAILS REFER TO SALES DRAWING: PSD 1724739995
 3. FOR CAGE DETAILS REFER TO SALES DRAWING: PSD 1724730012
 4. PRODUCT SPECIFICATION: 1724730011
 5. MOUNTING INFORMATION: REFER TO APPLICATION SPECIFICATION: 1724730001
 6. MATES WITH: MOLEX CABLE SERIES 111068, 111073, 111074, & 111075
 7. PLUG MODULE PCB LAYOUT REFER TO SD-76866-9900
 8. THIS PART CONFORMS TO CLASS C REQUIREMENTS OF MOLEX COSMETIC SPECIFICATION PS-45499-002



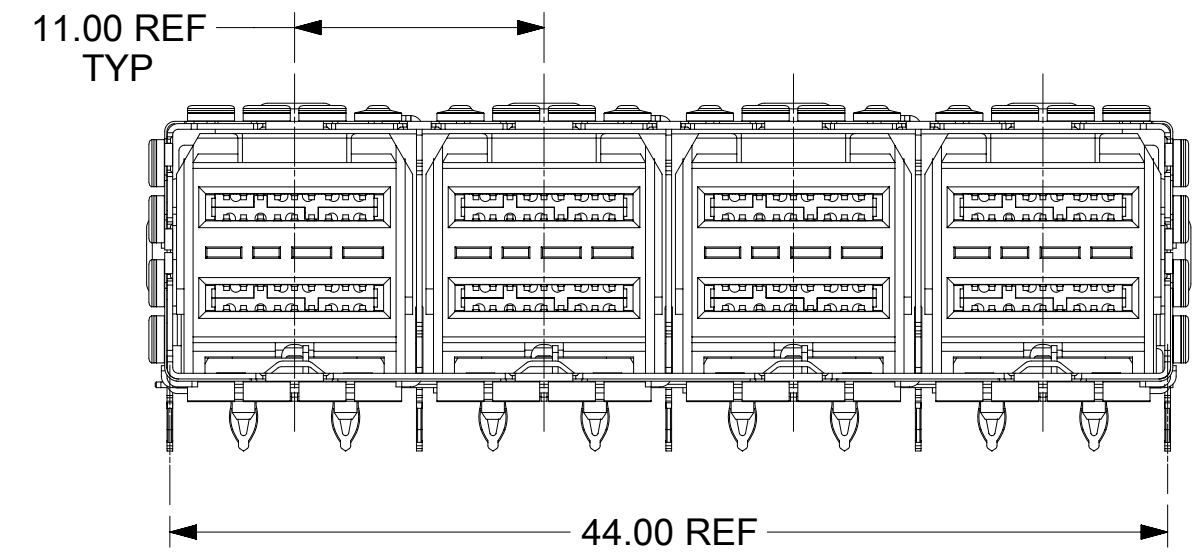
1 X 1



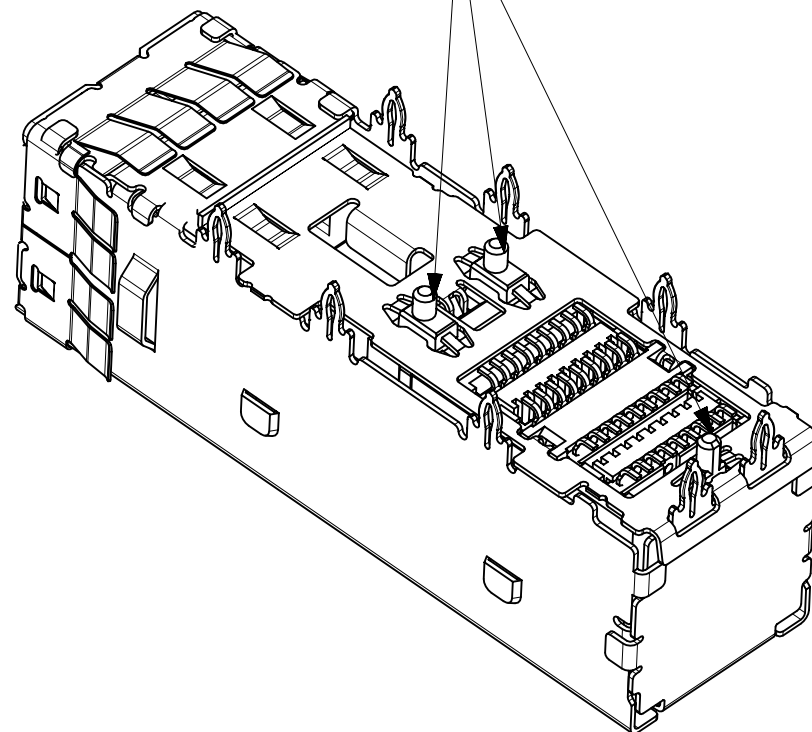
1 X 2



1 X 4

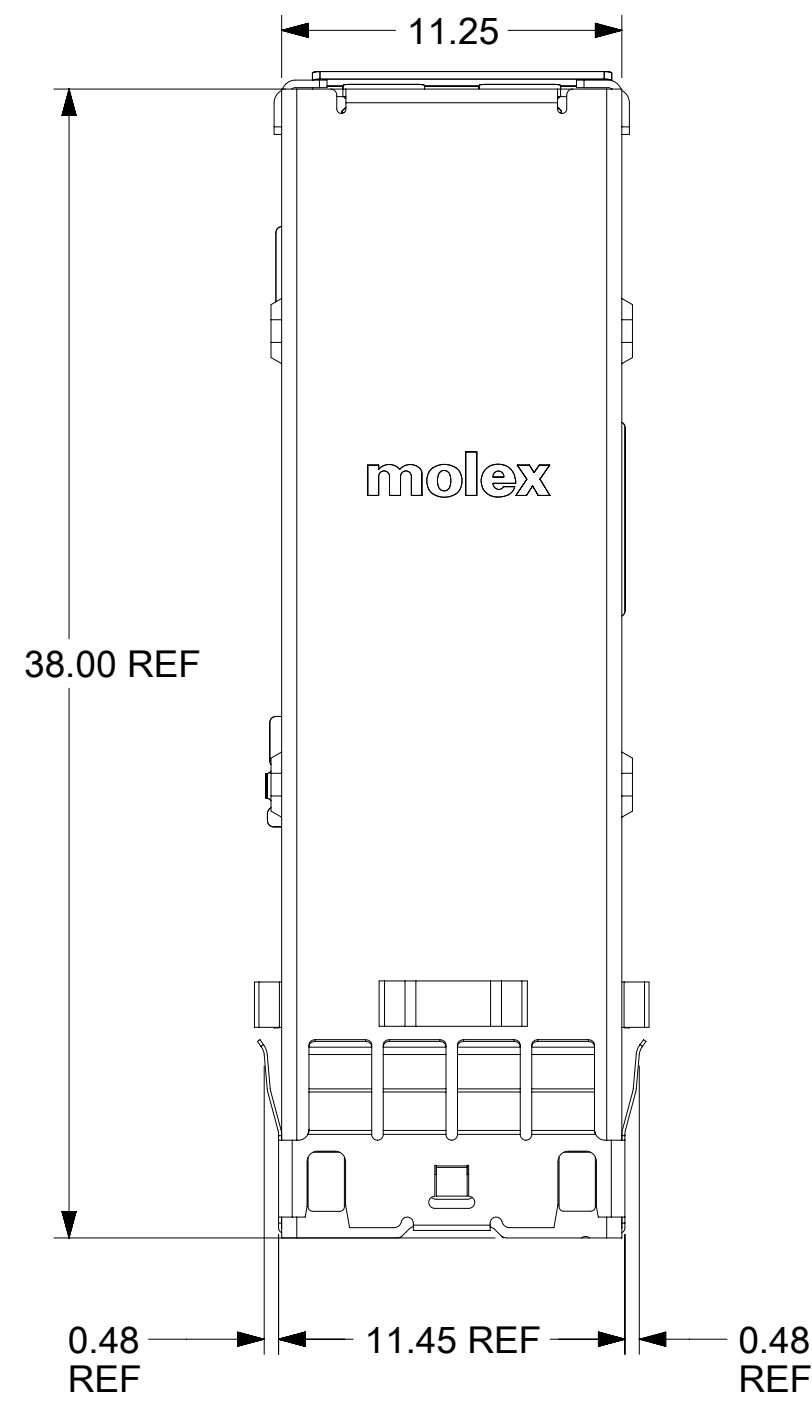


1724739995 CONNECTOR WITH 3 PEG

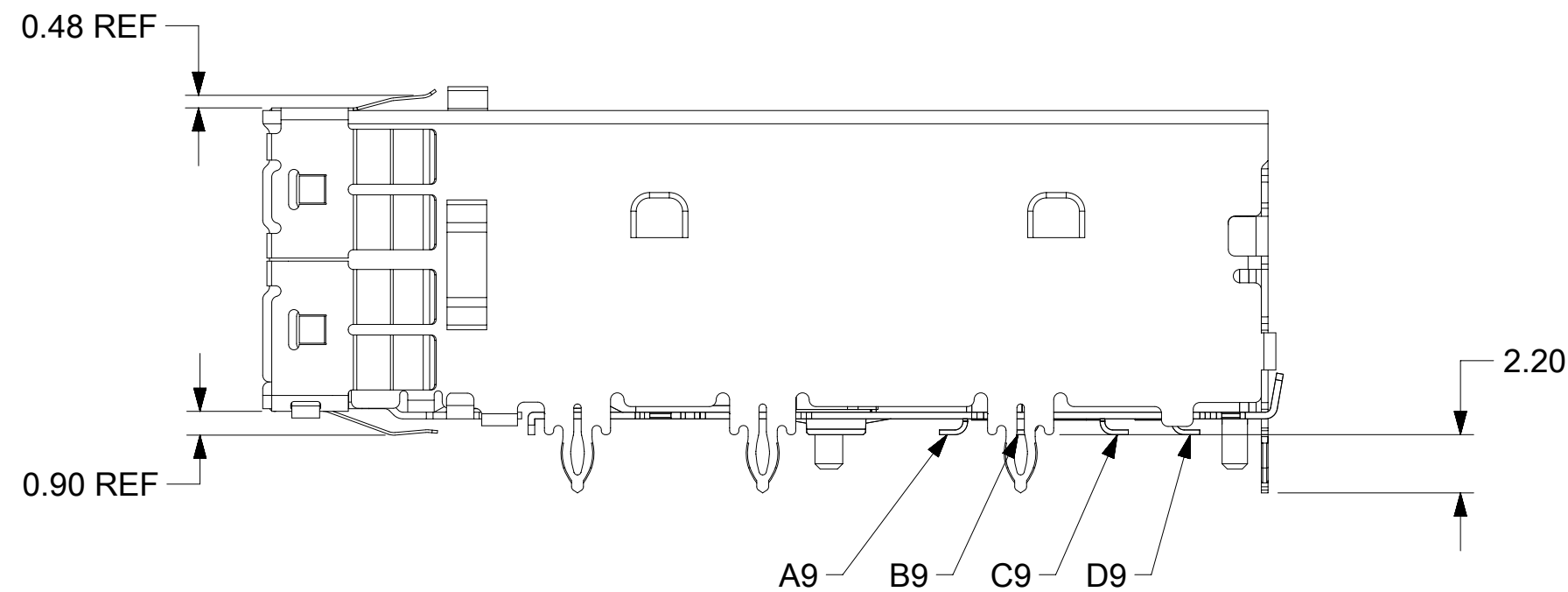
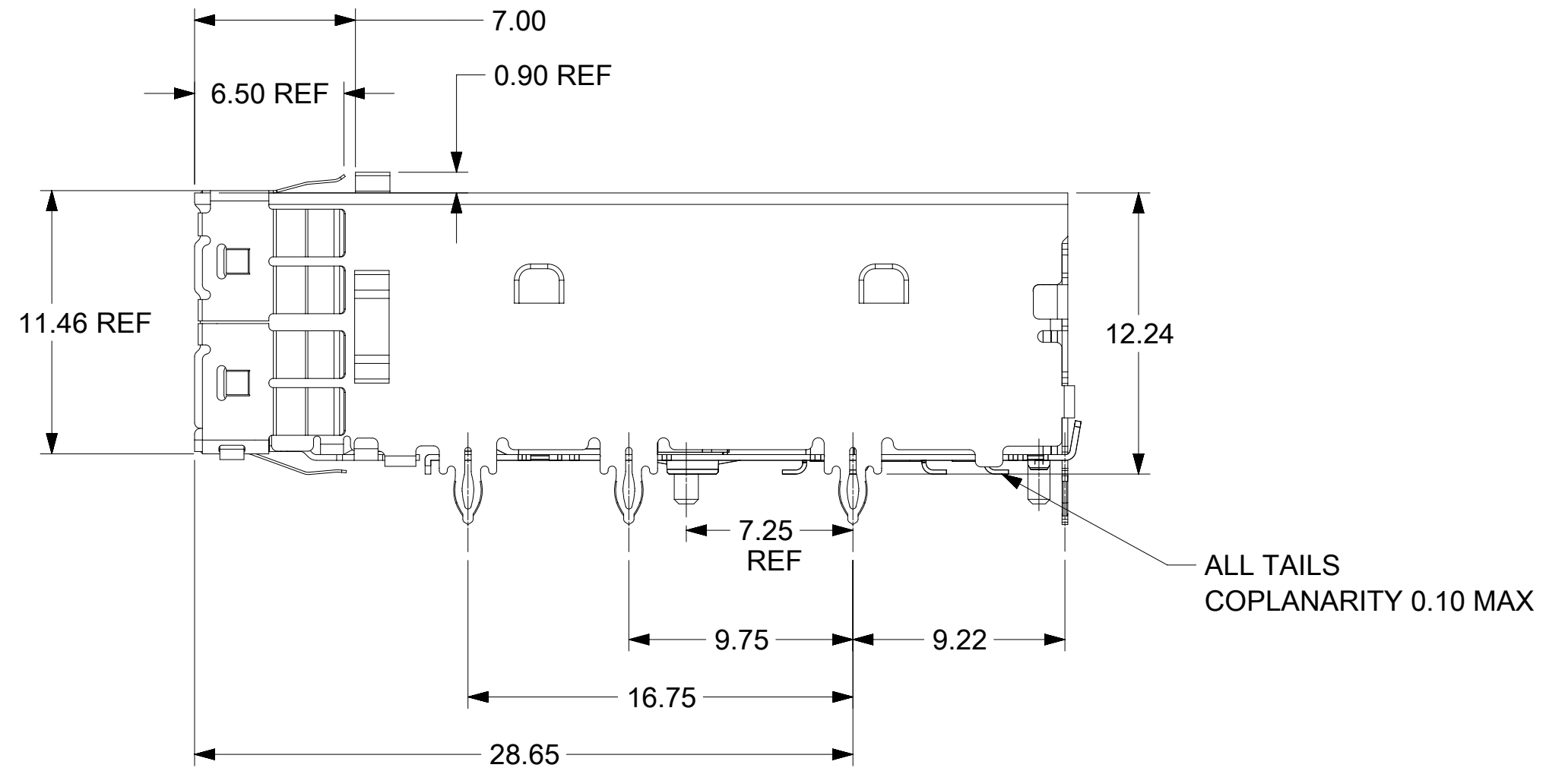
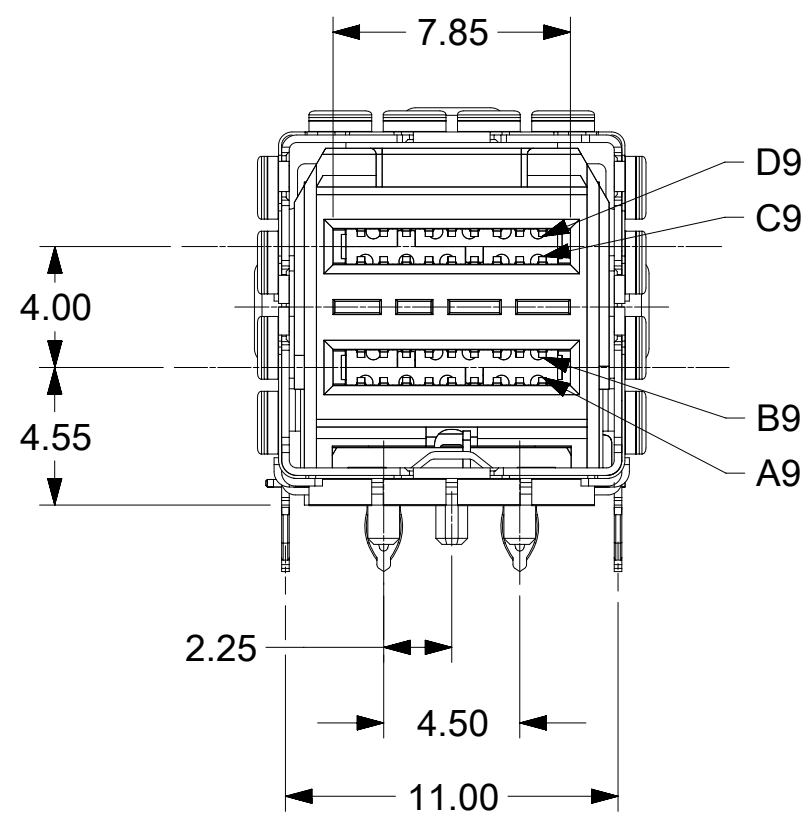


CONFIGURATION	MATERIAL NUMBER	
	CAGE	CONNECTOR WITH 3 PEG
1 x 1	1724735001	1724739995 (1X)
1 x 2	1724735002	1724739995 (2X)
1 x 4	1724735004	1724739995 (4X)

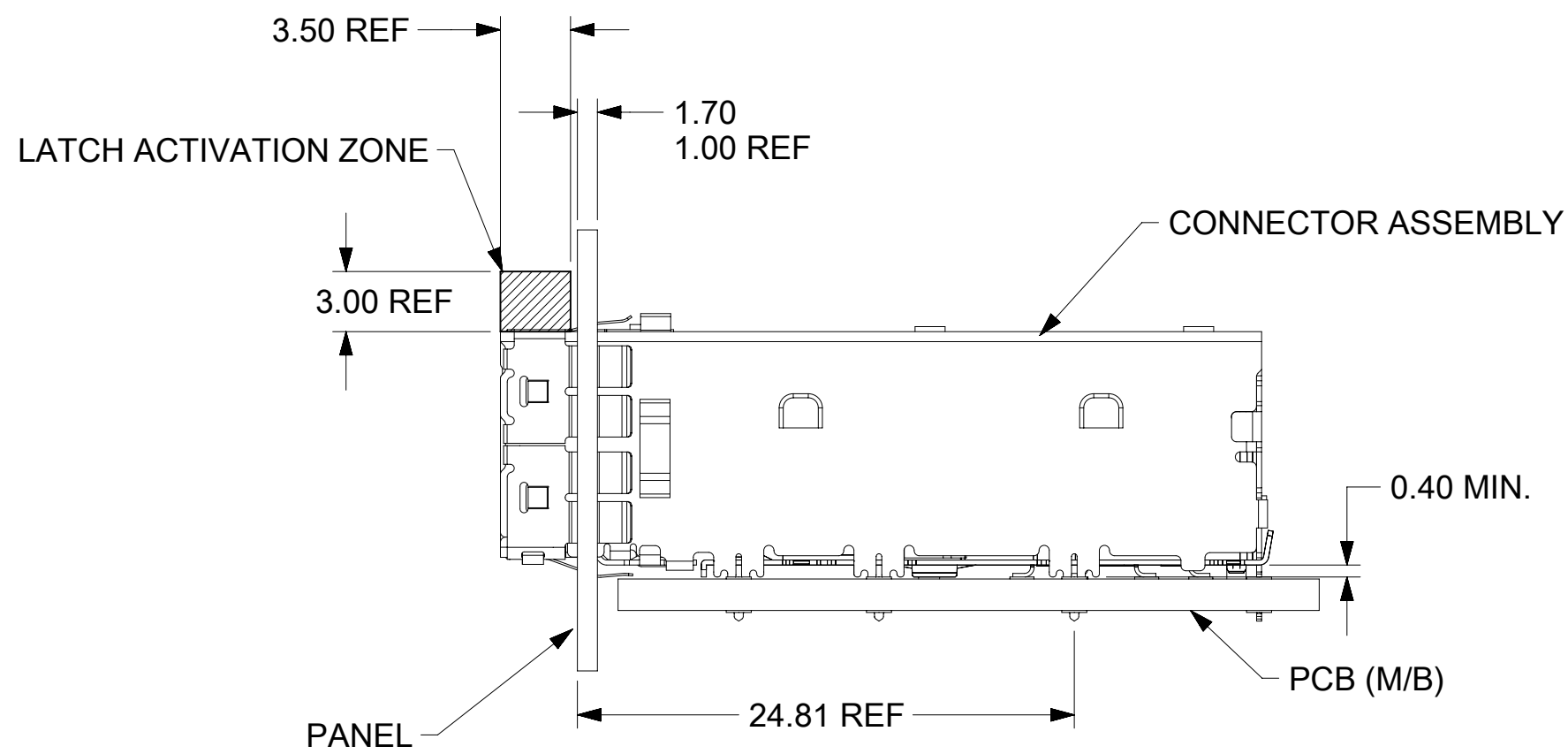
FUNCTIONAL SYMBOLS $\nabla_A = 0$ $\nabla_C = 0$ $\nabla_P = 0$ DIVISIONAL SYMBOLS	THIS DRAWING CONTAINS INFORMATION THAT IS PROPRIETARY TO MOLEX ELECTRONIC TECHNOLOGIES, LLC AND SHOULD NOT BE USED WITHOUT WRITTEN PERMISSION		CURRENT REV DESC:		
	DIMENSION UNITS	SCALE	EC NO: 733789		
	mm	3:1	DRWN: SUGEEB		
	GENERAL TOLERANCES (UNLESS SPECIFIED)		2023/01/03		
ANGULAR TOL ± °		CHK'D: GGA		IPASS RA SMT EXTERNAL SD	
4 PLACES ±		APPR: GGA		PRODUCT CUSTOMER DRAWING	
3 PLACES ± 0.1		INITIAL REVISION:		DOCUMENT NUMBER	
2 PLACES ± 0.15		DRWN: AKOLAK		1724731111	
1 PLACE ± 0.25		APPR: TMCLELLAND		DOC TYPE DOC PART REVISION	
0 PLACES ±		THIRD ANGLE PROJECTION		PSD 001 B6	
DRAFT WHERE APPLICABLE MUST REMAIN WITHIN DIMENSIONS		DRAWING C-SIZE		MATERIAL NUMBER CUSTOMER SHEET NUMBER	
		SERIES 172473		SEE TABLE GENERAL MARKET 1 OF 5	



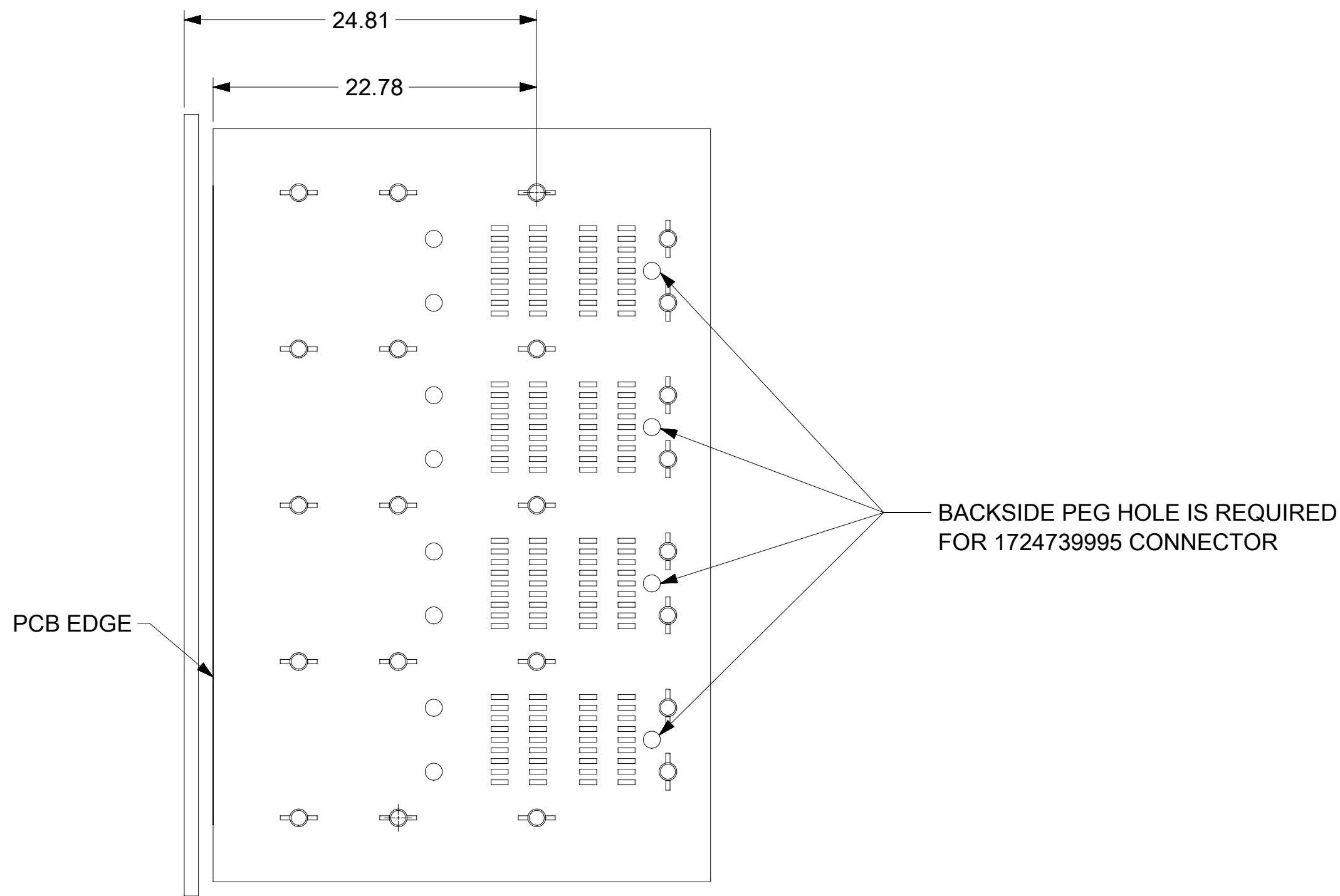
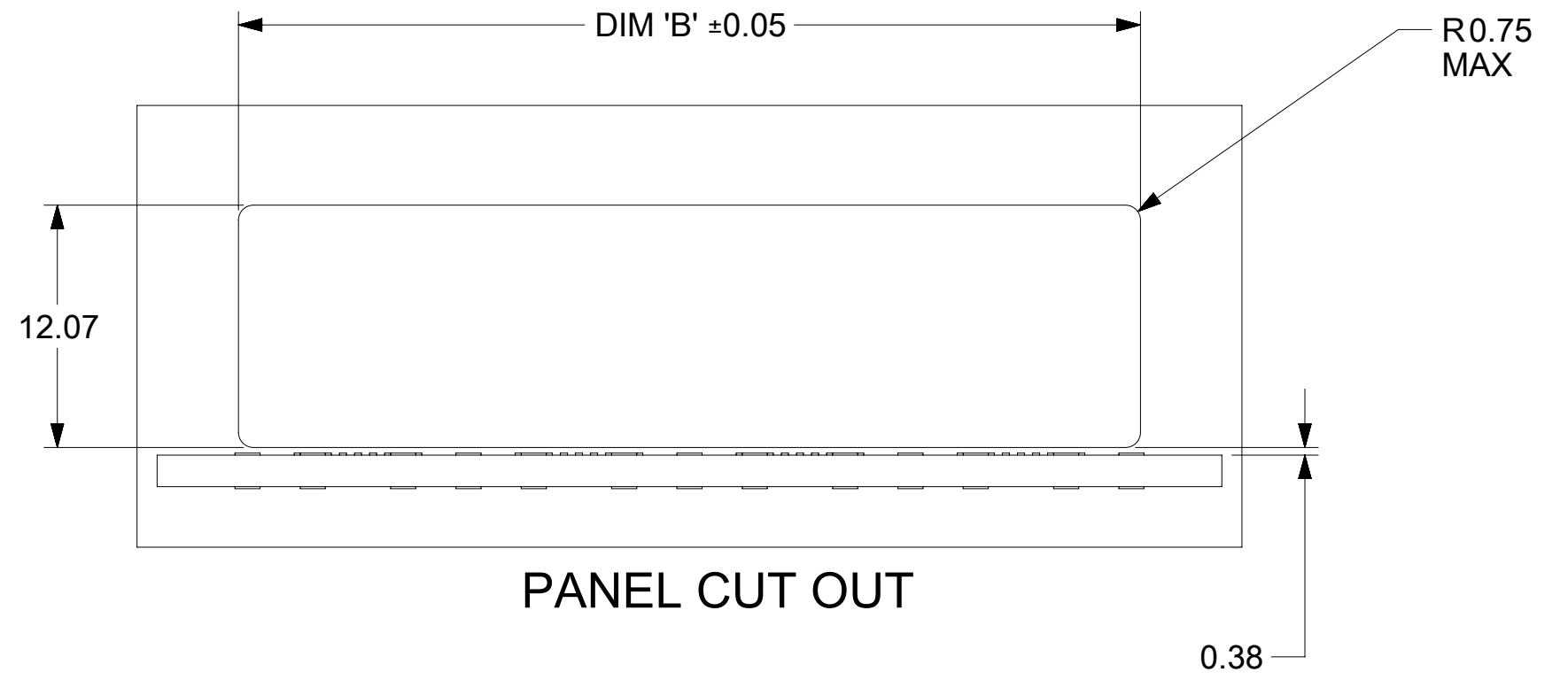
SHOWN 1X1 ASSEMBLY WITH 1724739995 CONNECTOR



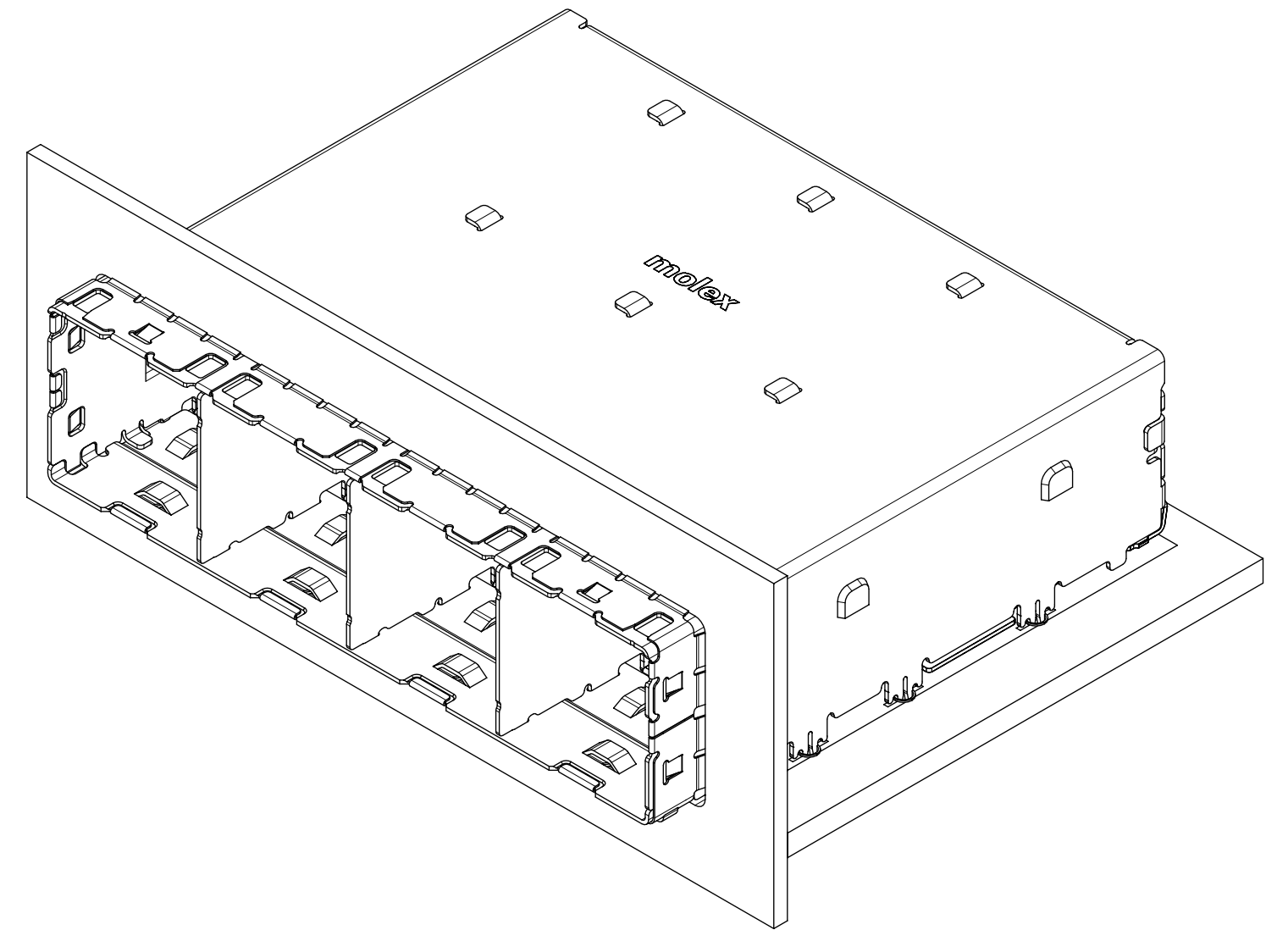
FUNCTIONAL SYMBOLS	THIS DRAWING CONTAINS INFORMATION THAT IS PROPRIETARY TO MOLEX ELECTRONIC TECHNOLOGIES, LLC AND SHOULD NOT BE USED WITHOUT WRITTEN PERMISSION		
	DIMENSION UNITS	SCALE	CURRENT REV DESC:
$\nabla_A = 0$	mm	4:1	EC NO: 733789 DRWN: SUGEEB CHK'D: GGA APPR: GGA
$\nabla_C = 0$	GENERAL TOLERANCES (UNLESS SPECIFIED)		
$\nabla_P = 0$	ANGULAR TOL ± °		2023/01/03
DIVISIONAL SYMBOLS	4 PLACES ±		2023/01/19
	3 PLACES ± 0.1		2023/01/19
	2 PLACES ± 0.15		2023/01/19
	1 PLACE ± 0.25		
0 PLACES ±			
DRAFT WHERE APPLICABLE MUST REMAIN WITHIN DIMENSIONS		THIRD ANGLE PROJECTION	DRAWING
			C-SIZE
		SERIES	172473
DOCUMENT STATUS		P1	RELEASE DATE
2023/01/19		04:51:45	
MATERIAL NUMBER		CUSTOMER	SHEET NUMBER
SEE TABLE		GENERAL MARKET	2 OF 5
DOCUMENT NUMBER		DOC TYPE	DOC PART
1724731111		PSD	001
INITIAL REVISION:		REVISION	B6
DRWN: AKOLAK		2017/11/10	
APPR: TMCLELLAND		2018/06/27	
molex			
IPASS RA SMT EXTERNAL SD			
PRODUCT CUSTOMER DRAWING			



ASSEMBLED VIEW



PCB TO PANEL VIEW



CONFIGURATION	DIM 'A' (MIN)	DIM 'B'
1 X 1	12.00.	11.90
1 X 2	23.00	22.90
1 X 4	45.00	44.90

THIS DRAWING CONTAINS INFORMATION THAT IS PROPRIETARY TO MOLEX ELECTRONIC TECHNOLOGIES, LLC AND SHOULD NOT BE USED WITHOUT WRITTEN PERMISSION									
FUNCTIONAL SYMBOLS	DIMENSION UNITS	SCALE	CURRENT REV DESC:						
$\nabla_A = 0$	mm	3:1	EC NO: 733789						
$\nabla_C = 0$	GENERAL TOLERANCES (UNLESS SPECIFIED)		DRWN: SUGEEB						
$\nabla_P = 0$	ANGULAR TOL ± °		2023/01/03						
DIVISIONAL SYMBOLS	4 PLACES	±	CHK'D: GGA						
	3 PLACES	± 0.1	APPR: GGA						
	2 PLACES	± 0.15	INITIAL REVISION:						
	1 PLACE	± 0.25	DRWN: AKOLAK						
0 PLACES	±	APPR: TMCLELLAND							
DRAFT WHERE APPLICABLE MUST REMAIN WITHIN DIMENSIONS		THIRD ANGLE PROJECTION	DRAWING	SERIES	MATERIAL NUMBER	CUSTOMER	DOC TYPE	DOC PART	REVISION
			C-SIZE	172473	SEE TABLE	GENERAL MARKET	PSD	001	B6
									SHEET NUMBER
									3 OF 5

molex

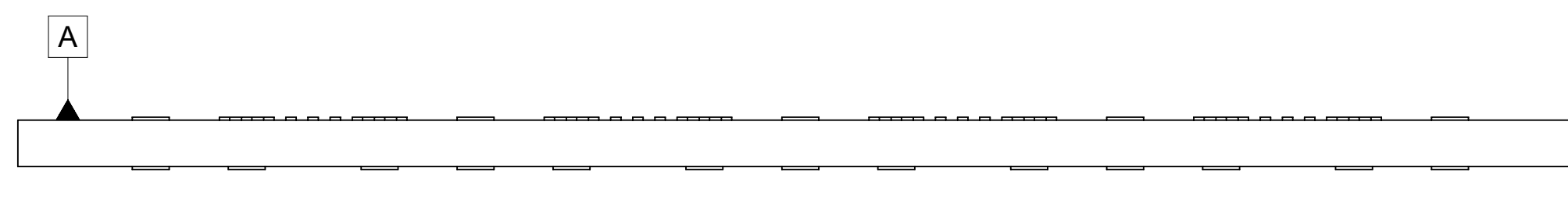
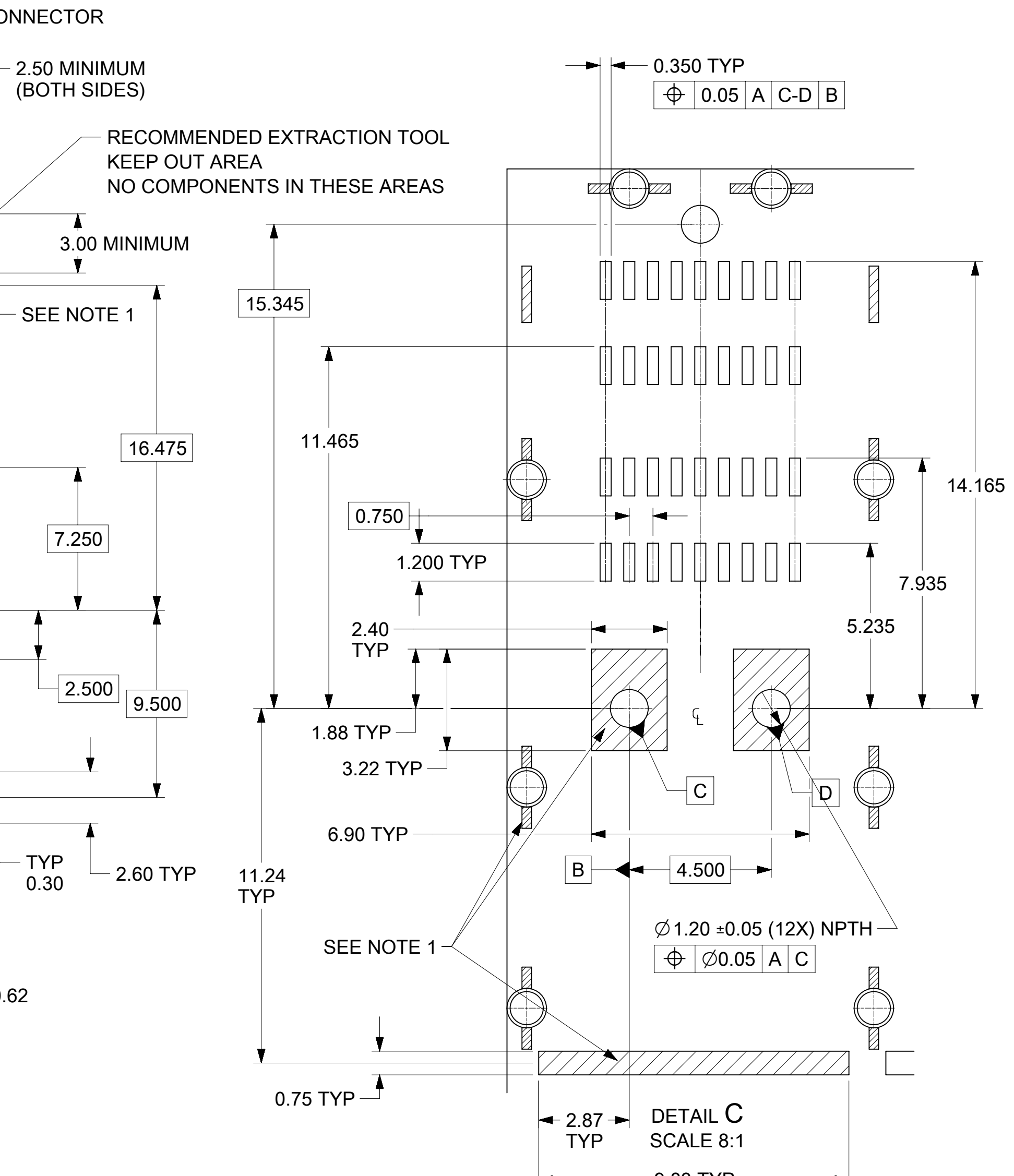
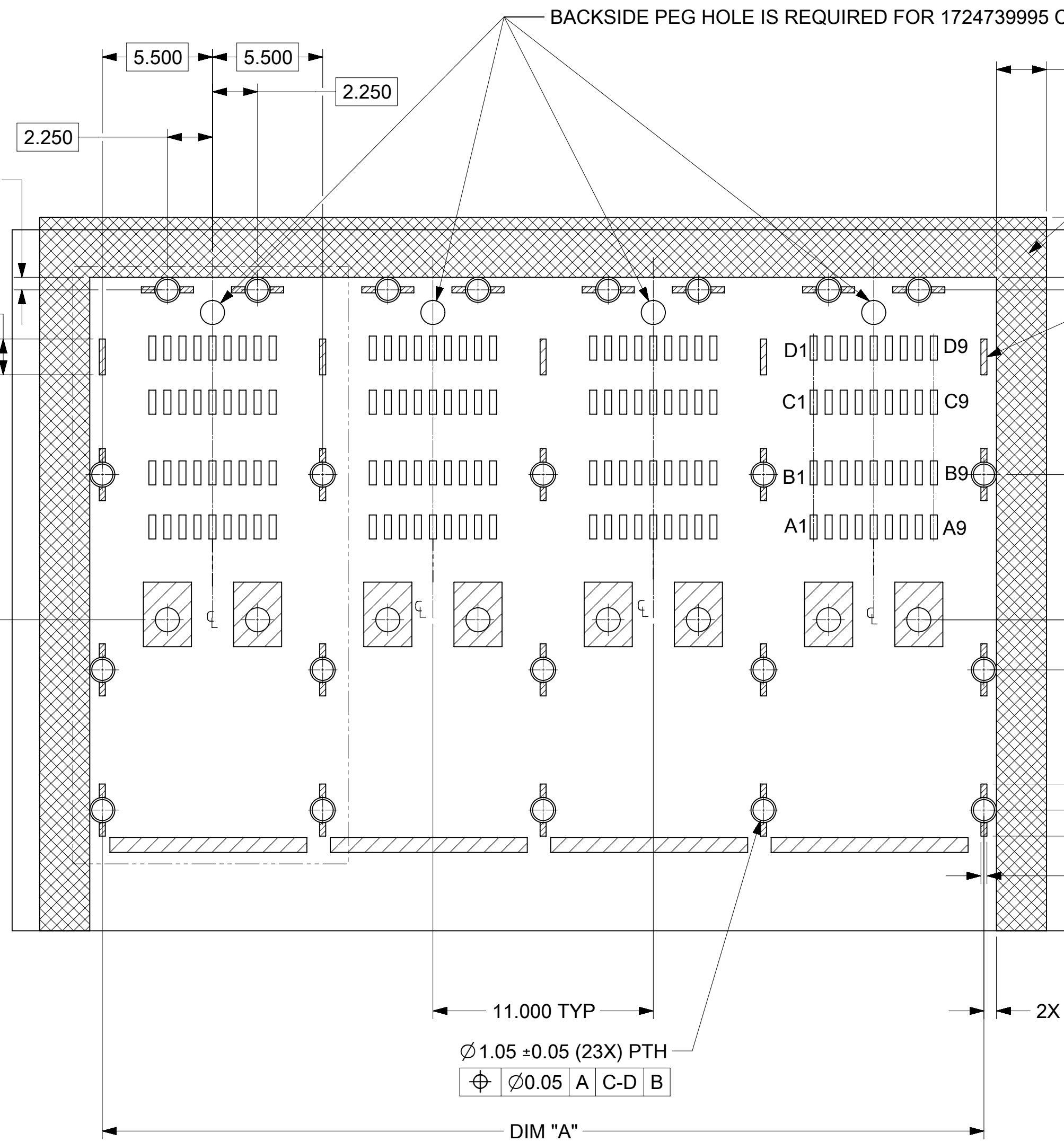
IPASS RA SMT EXTERNAL SD

PRODUCT CUSTOMER DRAWING

DOCUMENT NUMBER
1724731111

DOC TYPE DOC PART REVISION

PSD 001 B6



SHOWN 1X4 RECOMMENDED FOOTPRINT

NOTES:
 1. KEEP OUT ZONE: TRACES, VIAS AND COMPONENT ARE NOT ALLOWED ON SURFACE OF PCB IN THESE AREAS;
 2. THE ENTIRE AREA UNDER THE CONNECTOR IS A COMPONENT KEEP OUT ZONE, THE DETAIL INFORMATION REFER TO SI ROUTING SPEC. 1724730100.

CONFIGURATION	DIM "A"
1 X 1	11.00 REF
1 X 2	22.00 REF
1 X 4	44.00 REF

FUNCTIONAL SYMBOLS		THIS DRAWING CONTAINS INFORMATION THAT IS PROPRIETARY TO MOLEX ELECTRONIC TECHNOLOGIES, LLC AND SHOULD NOT BE USED WITHOUT WRITTEN PERMISSION		CURRENT REV DESC:	
$\nabla_A = 0$	DIMENSION UNITS	SCALE			
$\nabla_C = 0$	mm	5:1			
$\nabla_P = 0$	GENERAL TOLERANCES (UNLESS SPECIFIED)				
DIVISIONAL SYMBOLS		ANGULAR TOL			
		±			
		± 0.1			
		± 0.15			
		± 0.25			
		±			
DRAFT WHERE APPLICABLE MUST REMAIN WITHIN DIMENSIONS		THIRD ANGLE PROJECTION	DRAWING	SERIES	MATERIAL NUMBER
			C-SIZE	172473	SEE TABLE
					CUSTOMER
					GENERAL MARKET
					SHEET NUMBER
					4 OF 5

molex

IPASS RA SMT EXTERNAL SD

PRODUCT CUSTOMER DRAWING

DOCUMENT NUMBER: 1724731111

DOC TYPE: PSD

DOC PART: 001

REVISION: B6

DATE	VERSION	DESCRIPTION
2021/11/16	B3	1. UPDATE THE DEFINITION OF DATUM A AND DATUM B ON PCB; 2. ADDED NEW 3 PEG 1724739995 CONNECTOR INFORMATION
2022/04/12	B5	1. UPDATE TOP SURFANCE KEEP OUT AREA; 2.CANCEL REPEAT SHOWN PAGE.
2023/01/03	B6	1. REMOVED OBSOLETED PART 1724736001 2 PEG CONNECTOR.

FUNCTIONAL SYMBOLS	THIS DRAWING CONTAINS INFORMATION THAT IS PROPRIETARY TO MOLEX ELECTRONIC TECHNOLOGIES, LLC AND SHOULD NOT BE USED WITHOUT WRITTEN PERMISSION														
DIMENSION UNITS	SCALE		CURRENT REV DESC:							molex					
$\frac{F}{A} = 0$	mm	1:1	EC NO: 733789 DRWN: SUGEEB 2023/01/03 CHK'D: GGA 2023/01/19 APPR: GGA 2023/01/19 INITIAL REVISION: DRWN: AKOLAK 2017/11/10 APPR: TMCLELLAND 2018/06/27										DOCUMENT NUMBER		
$\frac{F}{C} = 0$	GENERAL TOLERANCES (UNLESS SPECIFIED)									1724731111			PSD	001	B6
$\frac{F}{P} = 0$	ANGULAR TOL ± °									PRODUCT CUSTOMER DRAWING					
DIVISIONAL SYMBOLS	4 PLACES ±														
	3 PLACES ± 0.1														
	2 PLACES ± 0.15														
	1 PLACE ± 0.25														
	0 PLACES ±														
DRAFT WHERE APPLICABLE MUST REMAIN WITHIN DIMENSIONS	THIRD ANGLE PROJECTION		DRAWING		SERIES		MATERIAL NUMBER		CUSTOMER		SHEET NUMBER				
			C-SIZE		172473		SEE TABLE		GENERAL MARKET		5 OF 5				