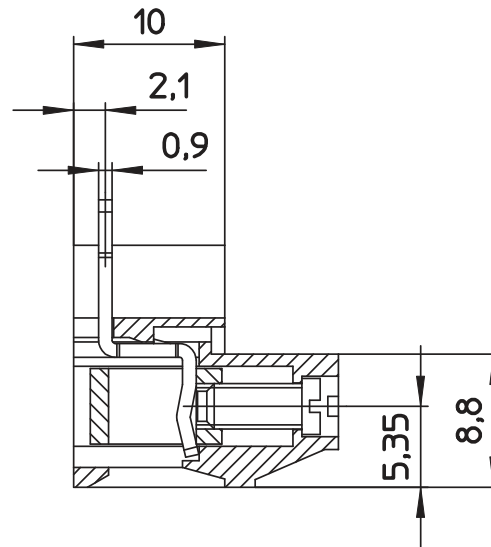
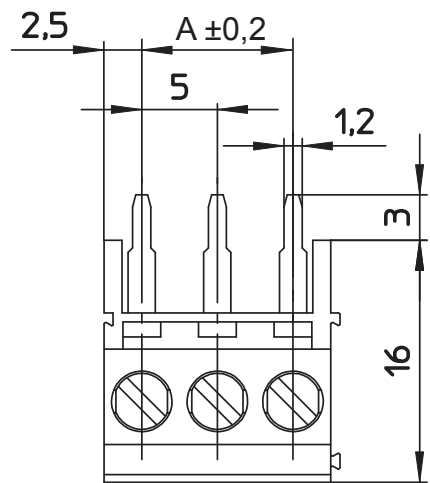


PCB LAYOUT - COMPONENT VIEW



A = (nb. pin-1) x pitch  
B = (nb. pin x pitch)

TECHNICAL CHARACTERISTICS

MATERIAL  
INSULATOR: PA6/66  
FLAMMABILITY RATING: UL94V0  
COLOR: GREEN  
METAL HOUSING: COPPER ALLOY / Ni  
TERMINAL SCREW: STEEL / Zn  
WIRE GUARD: COPPER ALLOY / Ni+Sn

ENVIRONMENTAL  
OPERATING TEMPERATURE: -30°C UP TO +120°C  
COMPLIANCE: LEAD FREE AND ROHS

ELECTRICAL	UL	VDE
CURRENT RATING:	16A	24A
WORKING VOLTAGE:	300VAC	250VAC
WITHSTANDING VOLTAGE:	1,6KV	2KV
CONTACT RESISTANCE:	20 mΩ MAX	

STANDARD

CERTIFIED: E150931	CAT. N°: MRT4 (1)
CERTIFIED: 40021393	TYPE: MRT4

MECHANICAL

SOLID WIRE:	30-12 AWG / 0,05-3,31 (x2) mm <sup>2</sup>
STRANDED WIRE:	30-12 AWG / 0,05-3,31 (x2) mm <sup>2</sup>
TORQUE:	5Lb.In / 0,5 Nm

WIRE STRIPE LENGTH: 6 mm  
SCREW: M3  
PITCH: 5 mm

SOLDERING  
JEDEC LEAD FREE WAVE SOLDERING

PACKAGING  
BOX

RoHS Compliant			
G			
F			
E			
D			
C			
B			
A	26-AUG-14	PDF	AK
REV	DATE	FILE	BY

PROJECTION:	
APPROVAL: QL	

GENERAL TOLERANCE	±0,1
UNIT: MM	
SCALE:	
SHEET: 1/2	
DRAW: AK	

 <b>WÜRTH ELEKTRONIK</b>	
<b>DESCRIPTION: SERIE 2527 - 5.00 MM - VERTICAL CABLE ENTRY WITH RISING CAGE CLAMP - WR-TBL</b>	
<b>WERI PART NO: 691 252 700 0xx</b>	

SIZE	<b>A4</b>

1

2

3

4

5

## Cautions and Warnings:

This electronic component is designed and developed with the intention for use in general electronics equipments.

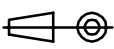

Before incorporating the components into any equipments in the field such as aerospace, aviation, nuclear control, submarine, transportation, (automotive control, train control, ship control), transportation signal, disaster prevention, medical, public information network etc. where higher safety and reliability are especially required or if there is possibility of direct damage or injury to human body, Würth Elektronik must be asked for a written approval.

In addition, even electronic component in general electronic equipments, when used in electrical circuits that require high safety, reliability functions or performance, the sufficient reliability evaluation-check for the safety must be performed before by the user before usage.

A

B

C

RoHS Compliant				PROJECTION: 	GENERAL TOLERANCE .X = +/- 0.2 .XX = +/- 0.15		DESCRIPTION: DISCLAIMER	SIZE <b>A4</b>
G								
F								
E								
D								
C				APPROVAL: JC	UNIT: MM	WERI PART NO: DISCLAIMER	SIZE <b>A4</b>	
B					SCALE:			
A	10-SEP-14	PDF	QL		SHEET: 2/2			
REV	DATE	FILE	BY		DRAW: QL			

D