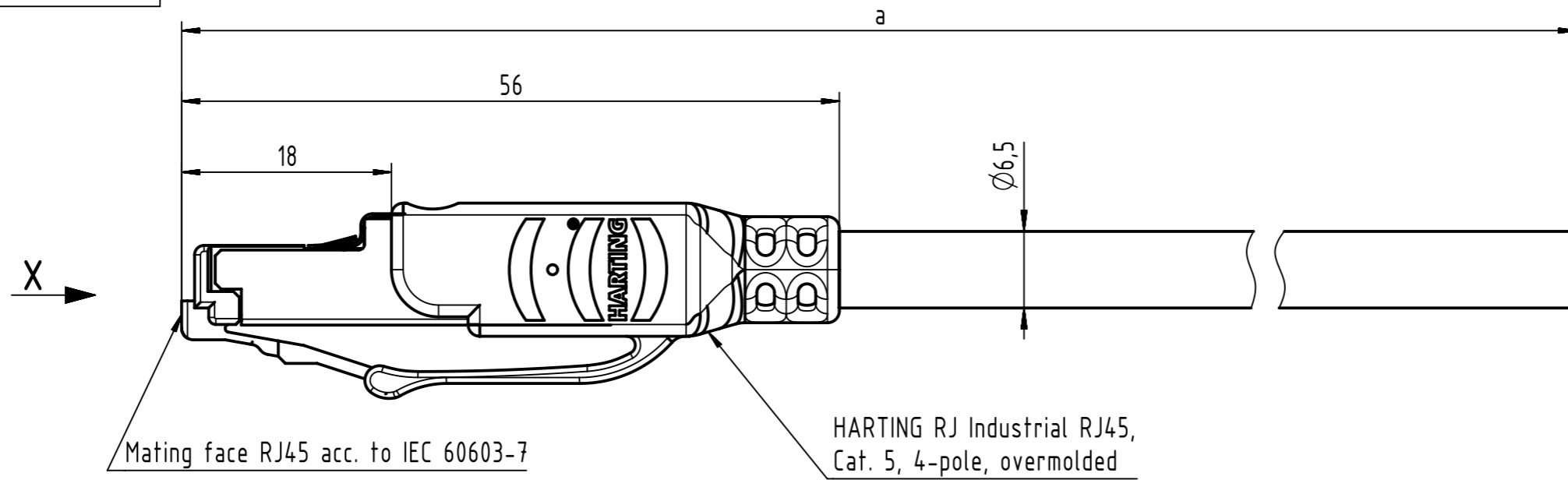
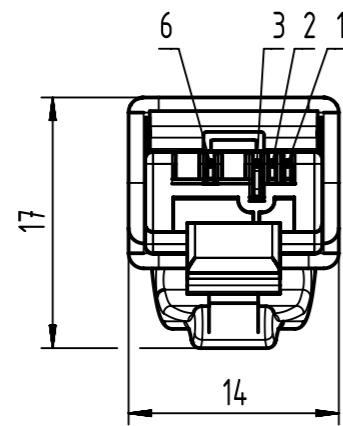


Connector Location A

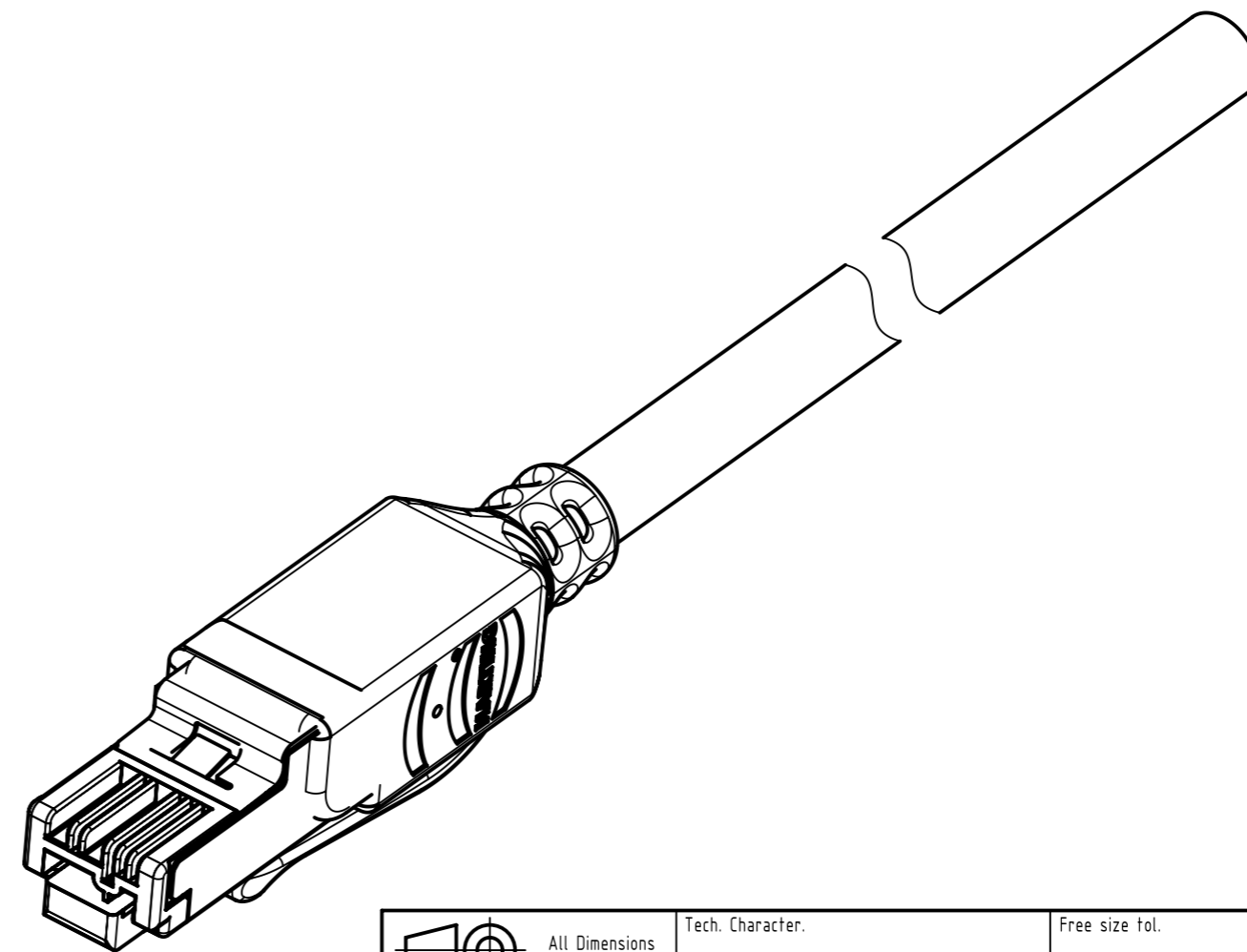
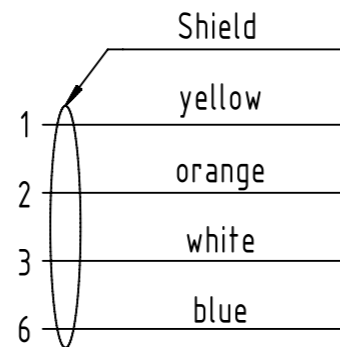
Connector Location B



X
male

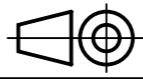



Loading Plan



- Protection level: IP20
- Temperature range: -40°C ... +70°C

All Dimensions in mm		Tech. Character.		Free size tol.		According to production drawing	
	All rights reserved		Created by COSTEA Costea	Inspected by STOCHECIC Stochechi	Standardisation MUNTEANV Muntean	Date 2019-07-18	State Final Release
	Department HCS - RO		Title RJ Industrial Cable Assembly				Doc-Key / ECM-Nr. 100081054/UGD/054/E 500000156154
HARTING Customised Solutions D-32339 Espelkamp			Type TB	Number 09457710XXX		Rev. E	Page 1/2

1	2	3	4	5	6	7	8						
A	52	09457710128	RJl Ethernet Stranded Cable, 4xAWG 22/7, PVC, Cat. 5+, green	6	RJl Ethernet Trailing Cable, 4xAWG 22/7, PUR, Cat. 5+, green	RJl Ethernet Trailing Cable, 4xAWG 22/7, PUR, Cat. 5+, green	100						
	51	09457710127		5			90	90					
	50	09457710126		4			88	80					
	49	09457710125		3			87	70					
	48	09457710124		2			86	60					
	47	09457710123		1.5			85	50					
	46	09457710122		1			84	40					
	45	09457710121		0.5			83	30					
B	44	09457710132		100			82	25					
	43	09457710120		90			81	20					
	42	09457710119	80	80	15								
	41	09457710118	70	79	10								
	40	09457710117	60	78	9								
	39	09457710116	50	77	8								
	38	09457710115	40	76	7								
	37	09457710114	30	75	6								
	36	09457710113	20	74	5								
	35	09457710112	15	73	4								
	34	09457710111	10	72	3								
C	33	09457710110	9	71	2								
	32	09457710109	8	70	1.5								
	31	09457710108	7	69	1								
	30	09457710107	6	68	0.6								
	29	09457710106	5	67	0.5								
	28	09457710105	4	66	100								
	27	09457710104	3	65	90								
	26	09457710103	2	64	80								
	25	09457710102	1.5	63	70								
	24	09457710101	1	62	60								
	23	09457710100	0.5	61	50								
D	22	09457710083	100	60	40								
	21	09457710082	90	59	30								
	20	09457710081	80	58	20								
	19	09457710080	70	57	15								
	18	09457710079	60	56	10								
	17	09457710078	50	55	9								
	16	09457710077	40	54	8								
	15	09457710076	30	53	7								
	14	09457710075	20	Cont. no.	Part no.	Type of cable	Dim. a[m]						
	13	09457710074	15	 All Dimensions in mm <table border="1" style="display: inline-table; vertical-align: top;"> <tr> <td colspan="2">Tech. Character.</td> <td colspan="2">Free size tol.</td> <td colspan="2">According to production drawing</td> </tr> </table>				Tech. Character.		Free size tol.		According to production drawing	
Tech. Character.		Free size tol.		According to production drawing									
	12	09457710073	10	 All rights reserved <table border="1" style="display: inline-table; vertical-align: top;"> <tr> <td>Created by COSTEA Costea</td> <td>Inspected by STOCHECIC Stochechi</td> <td>Standardisation MUNTEANV Muntean</td> <td>Date 2019-07-18</td> <td colspan="2">State Final Release</td> </tr> </table>				Created by COSTEA Costea	Inspected by STOCHECIC Stochechi	Standardisation MUNTEANV Muntean	Date 2019-07-18	State Final Release	
Created by COSTEA Costea	Inspected by STOCHECIC Stochechi	Standardisation MUNTEANV Muntean	Date 2019-07-18	State Final Release									
	11	09457710072	9	Title RJ Industrial Cable Assembly <table border="1" style="display: inline-table; vertical-align: top;"> <tr> <td colspan="2">Doc-Key / ECM-Nr. 100081054/UGD/054/E 500000156154</td> </tr> </table>				Doc-Key / ECM-Nr. 100081054/UGD/054/E 500000156154					
Doc-Key / ECM-Nr. 100081054/UGD/054/E 500000156154													
	10	09457710071	8	HARTING Customised Solutions <table border="1" style="display: inline-table; vertical-align: top;"> <tr> <td>Type TB</td> <td>Number 09457710XXX</td> <td>Rev. E</td> <td>Page 2/2</td> </tr> </table>				Type TB	Number 09457710XXX	Rev. E	Page 2/2		
Type TB	Number 09457710XXX	Rev. E	Page 2/2										
	9	09457710070	7										
	8	09457710069	6										
	7	09457710068	5										
	6	09457710067	4										
	5	09457710066	3										
	4	09457710065	2										
	3	09457710064	1.5										
	2	09457710063	1										
	1	09457710062	0.5										
F	Cont. no.	Part no.	Type of cable	Dim. a[m]									
	1												
	2												
	3												
	4												
	5												
	6												
	7												
	8												