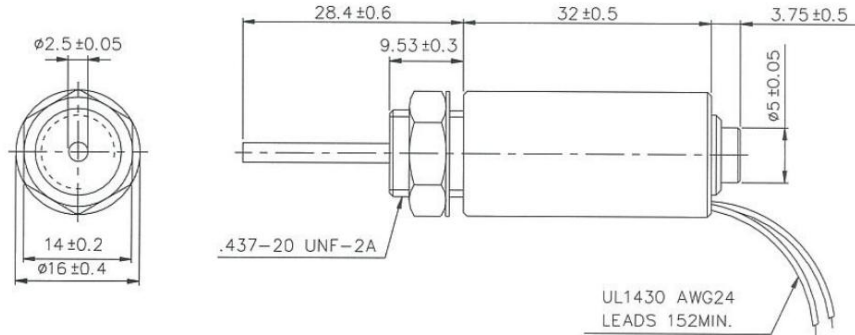
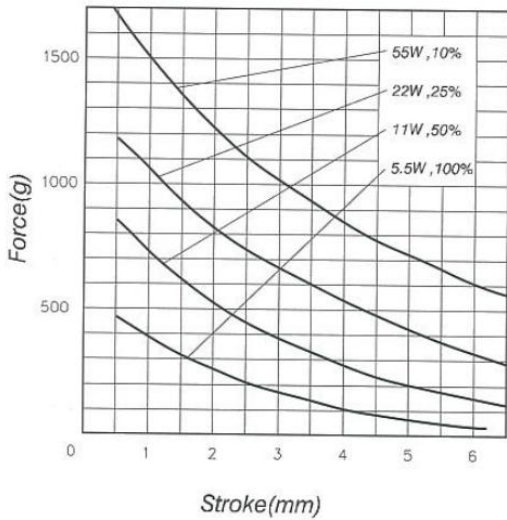


SMT - 1632S

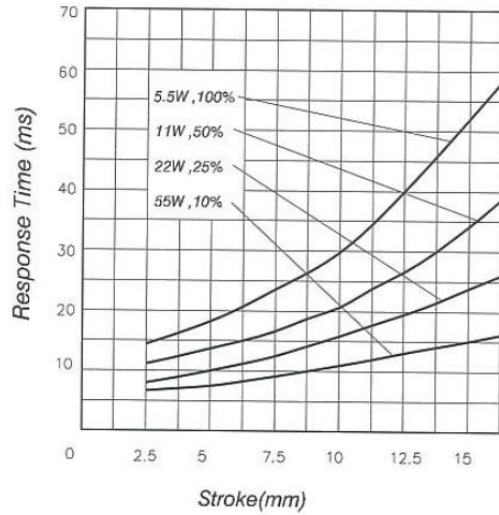
Mechanical Drawing



Stroke / Force Curve



Stroke / Response Time Curve



Stroke / Force Technical Data

Duty cycle (%) = $\frac{\text{"ON" time}}{\text{ON time} + \text{OFF time}} \times 100\%$		100%	50%	25%	10%
		Continuous	Intermittent		
MAX On time/S		∞	230	25	6
Power@20°C		5.5	11	22	55
Type Number	Resistance (20°C) $\Omega \pm 10\%$	Volts DC (V)			
SMO-1632S-06AA	6.5	6	8.5	12	19
SMO-1632S-12AA	26.2	12	17	24	38
SMO-1632S-24AA	104.7	24	34	48	76
SMO-1632S-48AA	419	48	68	96	152