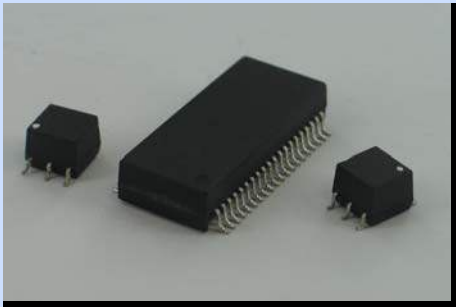


YLTP Series

Power Over Ethernet (PoE) Magnetics-10/100 Base-TX VoIP Magnetics Modules

TRIGON
COMPONENTS



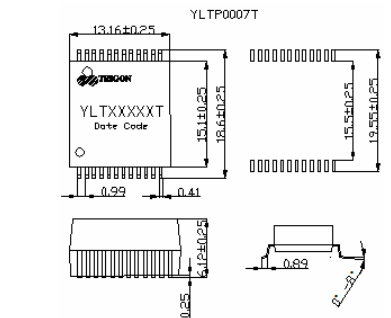
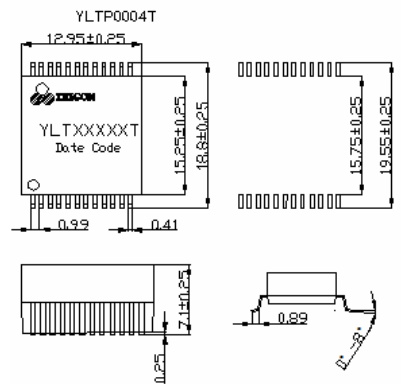
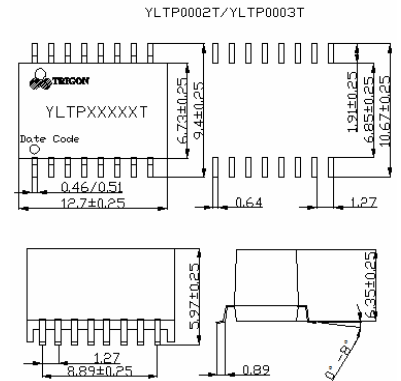
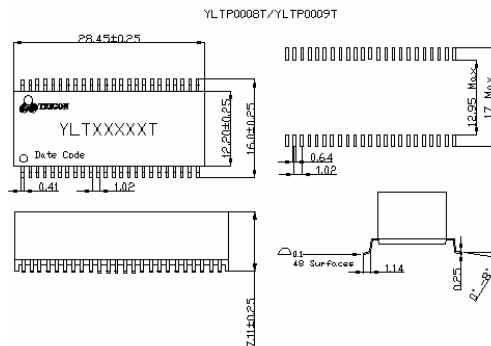
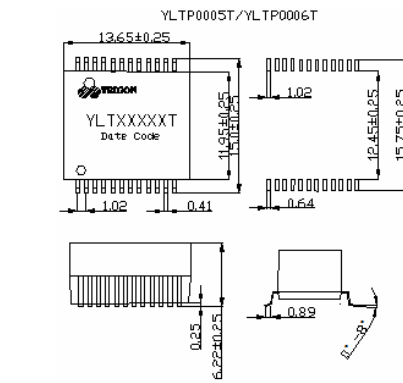
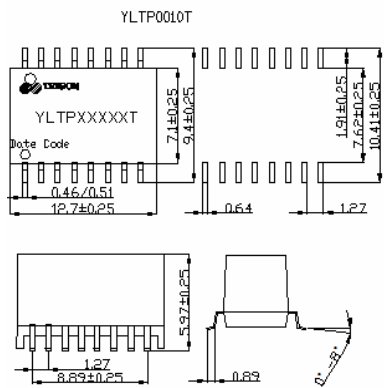
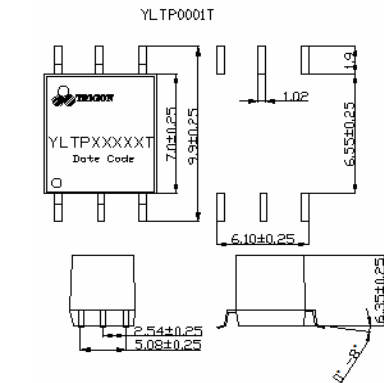
FEATURES

- PoE Compatible
- Surface Mount
- Optional Pin-Outs
- Cost Effective
- Optimum Performance
- Industrial Standard Connector Foot Print
- RoHS peak reflow temperature rating 245°C.
- IEEE 802.3af/ANSI X3.263 compliant performance
- Designed for IP phone or switch application

ORDERING CODE

YL P XXXXX T
(1) (2) (3) (4)

- (1) LAN Transformer
- (2) PoE
- (3) Series code
- (4) Package
T= Tape & Reel



YLTP Series

Power Over Ethernet (PoE) Magnetics-10/100 Base-TX VoIP Magnetics Modules

TRIGON
COMPONENTS

Electrical Specifications @ 25°C, Operating Temperature 0°C~70°C

Part Number	Number of Ports	Insertion Loss (dB TYP)	Return Loss (dB Min @ 100 Ohm)			
			1-100MHZ	1-30MHZ	40MHZ	50MHZ
YLTP0001T	1	-1.2	-16	-14	-13	-12
YLTP0002T	1	-1.2	-16	-14	-13	-12
YLTP0003T	1	-1.2	-16	-14	-13	-12
YLTP0004T	2	-1.2	-16	-14	-13	-12
YLTP0005T	2	-1.2	-16	-14	-13	-12
YLTP0006T	2	-1.2	-16	-14	-13	-12
YLTP0007T	2	-1.1	-16	-14	-13	-12
YLTP0008T	4	-1.2	-16	-14	-13	-12
YLTP0009T	4	-1.2	-16	-14	-13	-12
YLTP0010T	1	-1.4	-16	-14	-13	-12

Electrical Specifications (Continued)

Part Number	Crosstalk (dB TYP)			Differential to Common Mode Rejection (dB TYP)			Hipot (Vrms MIN)	DC Resistance Balance \leq (%)
	30MHZ	60MHZ	100MHZ	30MHZ	60MHZ	100MHZ		
YLTP0001T	-45	-40	-35	-43	-37	-35	1500	-
YLTP0002T	-45	-40	-35	-43	-37	-33	1500	-
YLTP0003T	-45	-40	-35	-43	-37	-33	1500	3.5
YLTP0004T	-43	-37	-33	-50	-43	-33	1500	3.5
YLTP0005T	-43	-37	-31	-43	-37	-33	1500	3.5
YLTP0006T	-43	-37	-33	-40	-35	-33	1500	3.5
YLTP0007T	-43	-37	-33	-43	-37	-33	1500	3.5
YLTP0008T	-45	-40	-35	-43	-37	-35	1500	3.5
YLTP0009T	-45	-40	-35	-43	-37	-35	1500	3.5
YLTP0010T	-45	-40	-35	-43	-37	-33	1500	3.5

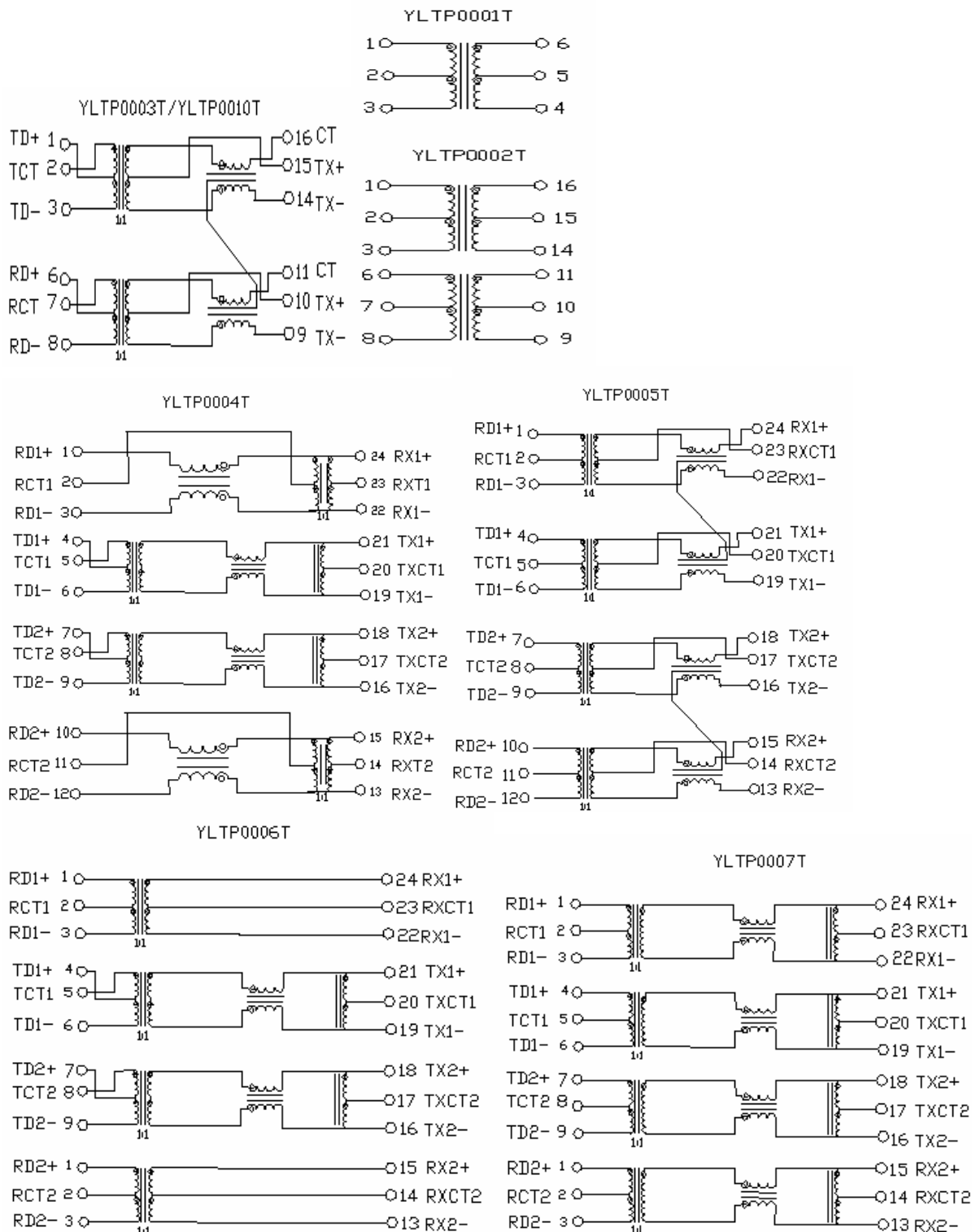
- OCL: 350uH min. with 8mA applied.
- MSL: 3
- Transformers with operating temperature @ -40°C ~ +85°C are available upon request.

YLTP Series

Power Over Ethernet (PoE) Magnetics-10/100 Base-TX VoIP Magnetics Modules

TRIGON
COMPONENTS

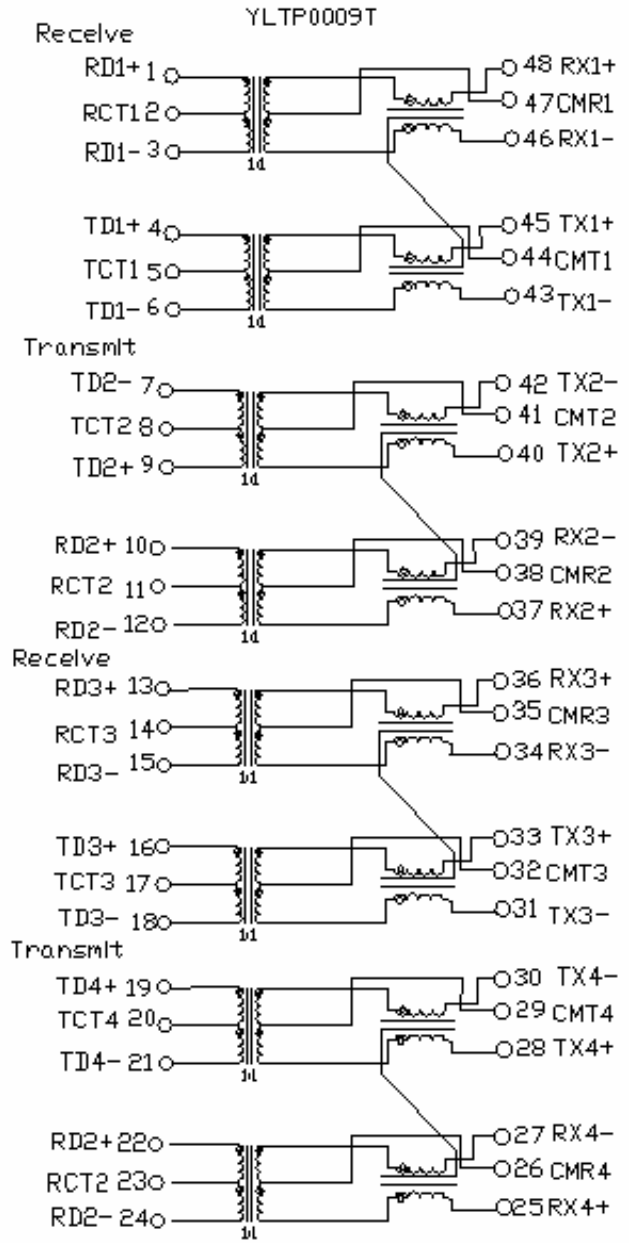
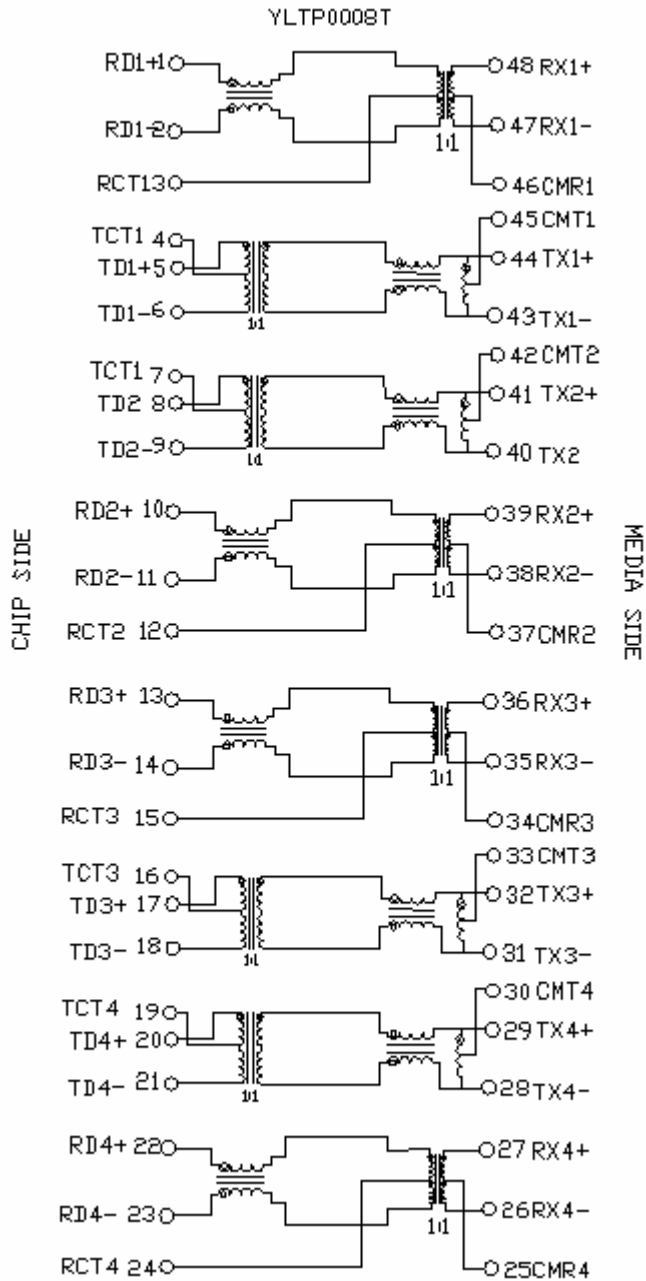
Schematics



YLTP Series

Power Over Ethernet (PoE) Magnetics-10/100 Base-TX VoIP Magnetics Modules

TRIGON
COMPONENTS



YLTP Series

Power Over Ethernet (PoE) Magnetics-10/100 Base-TX VoIP Magnetics Modules

TRIGON
COMPONENTS

Contact Information



- USA OFFICE**
Add: 939 Mariner Street Brea, CA 92821 U.S.A
Tel: +1-714-990-1367
Fax: +1-714-990-1459
Email: sales@trigoncomponents.com
- TAIWAN OFFICE**
Add: 5F, No.37, Lane 221 Gang Qian Road, Nei-Hu Taipei, Code 114, Taiwan
Tel: +886-2-2657-6216
Fax: +886-2-2657-5296
Email: salesTW@trigoncomponents.com
- SHANGHAI OFFICE**
Add: Rm 1710, No. 1258, Yu Yuan Road, Chang Ning District, Shanghai, 200050, China
Tel: +86-21-52372201~03
Fax: +86-21-52372205
Email: salesSH@trigoncomponents.com
- HONGKONG OFFICE**
Add: Rm. 802, 8/F., Shun Kwong Commercial Building, No. 8 Des Voeux Road West, Sheung Wan, Hong Kong
Tel: +852-2975-9084~5
Fax: +852-2975-9086
Email: salesHK@trigoncomponents.com
- CHINA MANUFACTURING PLANT**
Add: No.551, Ju Jin Road, Zhangpu, Kunshan, China
Tel: +86-512-5517-3688
Fax: +86-512-5517-3788
- BRASIL SALES REP OFFICE**
Add: Calçada das Palmas, 20 – sala 01 – 1 andar Centro Comercial de Alphaville CEP 06453-041 – Barueri – São Paulo – Brasil
Tel: +55-11-4688-1960
Fax: +55-11-4191-6758
- KOREA SALES REP OFFICE**
Add: 445-160 1F 129-5 Bansong-Dong Hwaseong-Si Gyeonggi-Do Korea
Tel: +82-31-8015-3477
- FRANCE SALES REP OFFICE**
Add: 19 Rue Vivienne, Paris, France
Tel: +33-6-0715-5528