

1

2

3

4

5

6

7

A

B

C

D

E

F

G

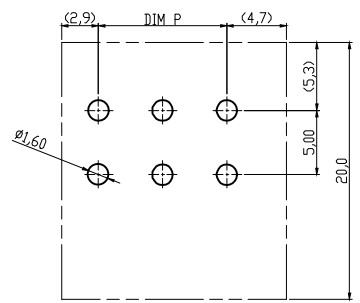
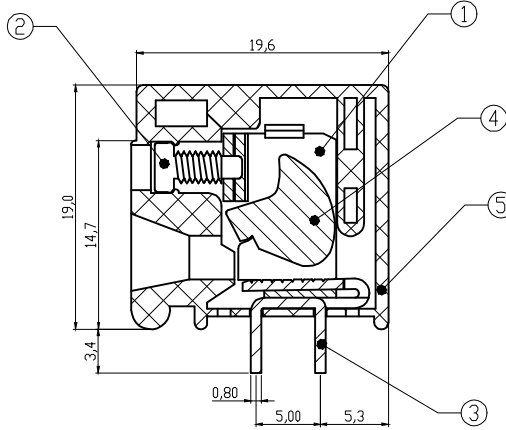
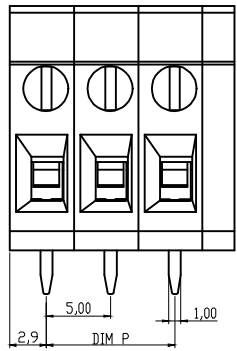
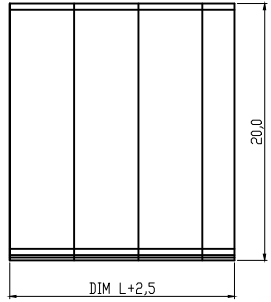
H

Material

- ① Terminal body(metal housing): steel stamped Zinc plating
- ② Terminal screw: Steel Zinc plating "-" slot type
- ③ Contacts: Brass, Tin plated
- ④ Firm wire chunk: steel Zinc plating
- ⑤ Insulator (housing): Thermoplastic (UL94V-0) , GREEN

Electrical cULus

Voltage rating: 300VAC  
 Current rating: 20A  
 Wire range:  
 Solid wire(AWG): 12-22  
 Stranded wire(AWG): 12-22  
 Torque(Lb-In): 2.4  
 Screw: M2.5  
 Wire strip length: 10-11mm  
 Withstanding Voltage: 1.6KV  
 Operating temperature: -40°C to +115°C  
 Soldering temperature: 250°C±10°C/5 Sec  
 Safety Approval:



RECOMMENDER PCB LAYOUT

DIMENSION

L	Nx5.0
P	(N-1)x5.0

N=Number of poles

Poles	Tolerance	
	DIM L	DIM P
2p-6p	±0.20	±0.15
7p-12p	±0.25	±0.20
13p-18p	±0.30	±0.25
19p-24p	±0.40	±0.30

RoHS compliant

Unit: mm



File No.: E349947

Scale	1:1					Date	Name	Customer-No.
TOLERANCE						Drawn	19.04.2010	Alex
X.	±0.50					Approved	18.04.2016	Joanna
X.X	±0.30							
X.XX	±0.10							
DIM	TOL							
X.°	±1°	①	Add UL	18.04.2016	Joanna			
		②	Drawn	19.04.2010	Alex			
Angle	TOL	Id.	Modification	Date	Name	Replace		Sheet

ASSMANN WSW-No. A-TB500-TRxxH

Drawing-No. ASS 4095 CO rev01

1

2

3

4

5

6

7