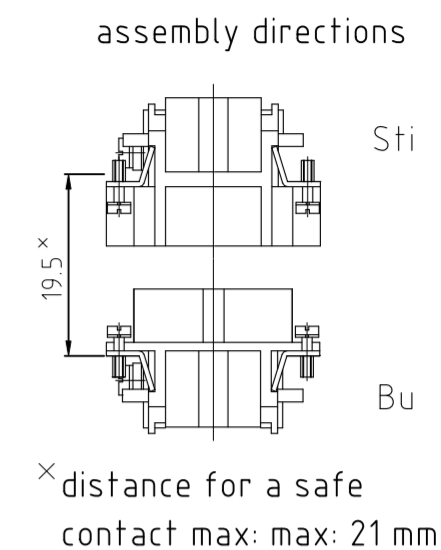
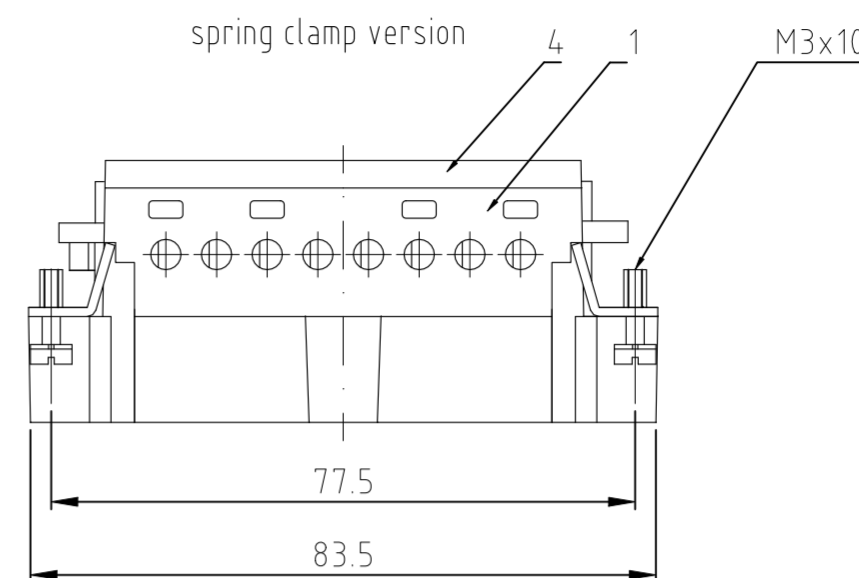
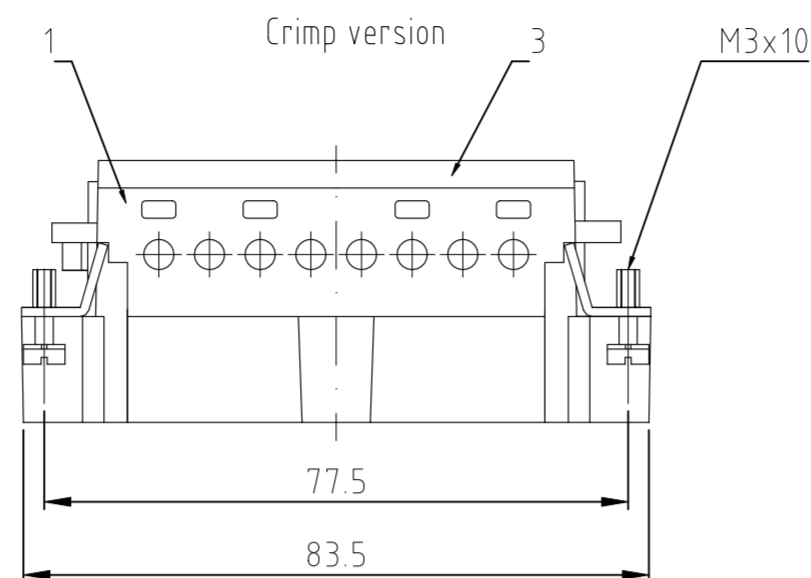
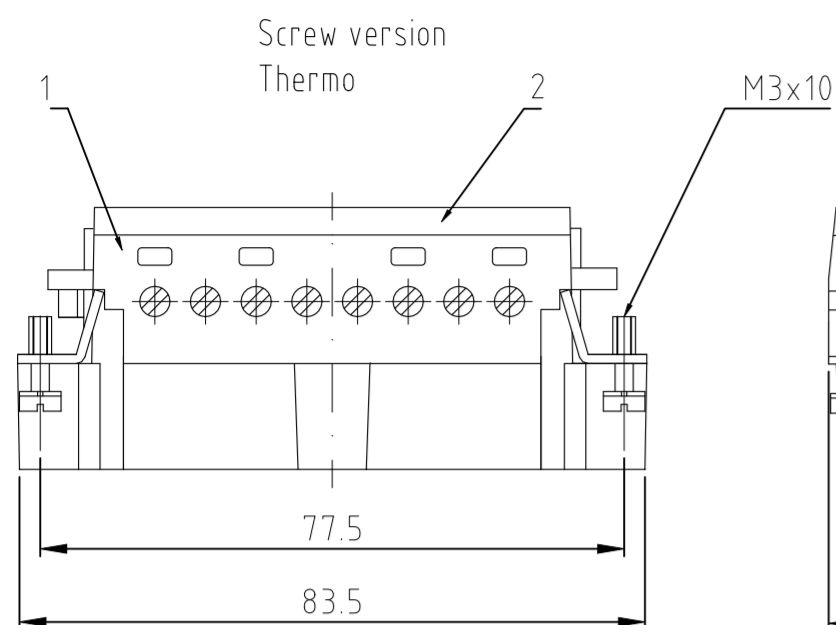
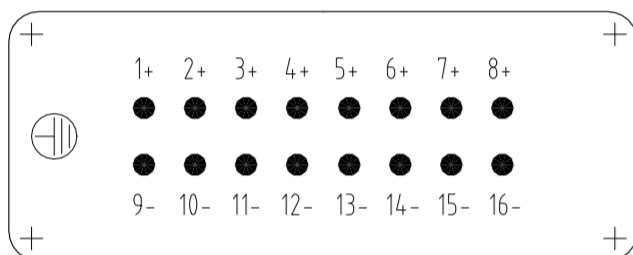


REVISIONS ÄNDERUNGEN				
P	LTR	DESCRIPTION BESCHREIBUNG	DATE	APVD
C12		ECR-21-123503	06JUL2022	RK JB

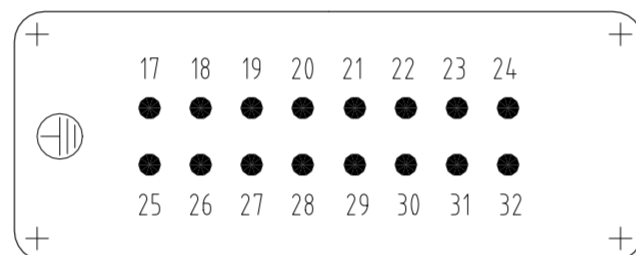


Contact arrangement view from termination side

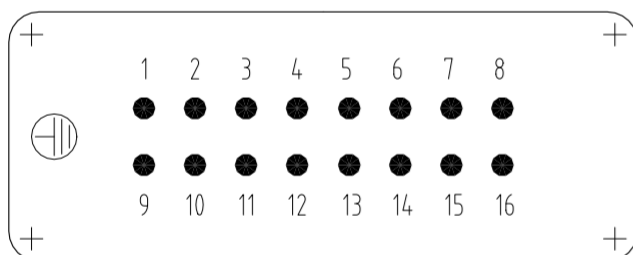
Printing 1-16 Thermo



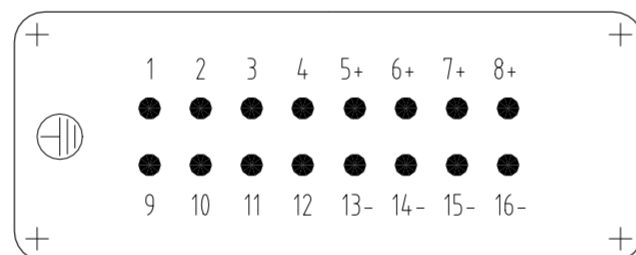
Printing 17-32 Screw



Printing 1-16 Screw



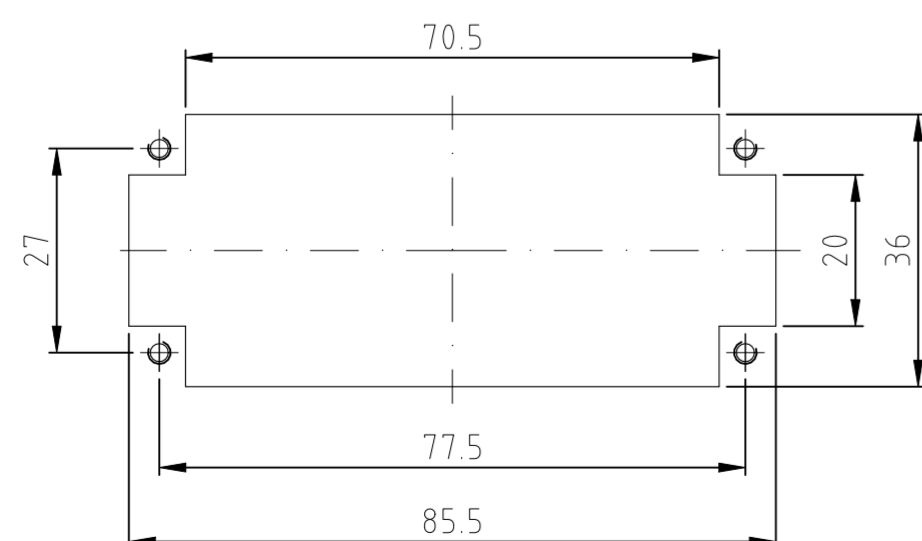
Printing 8+4+4 Screw/Thermo



NOTES:

- SUITABLE CRIMP CONTACTS: SERIES HE/HA
OUTER DIMENSIONS OF INSULATION: MAX. Ø3,2 MM
- SUITABLE HOOD SIZE 6; 10: SERIES HB; HD;HIP;EMV
SUITABLE INSERTION AND EXTRACTION TOOL:
SCREWDRIVER 0,5x3 DIN 5264
- Strip lenght: Screw conection 10mm
Spring clamp conection 10mm Crimp conection 7.5mm
- STANDARDS:
DIN EN 61984; DIN EN 60664-1
- PACKAGING:
5 SETS IN A CARTON, PRE-MOUNTED
- SPECIAL PACKAGING: Krauss-Maffei
PACKAGING UNIT: 200 PIECES

Panel cut-out for contact insert when used without housing



ITEM NO. POS.	DESCRIPTION	MATERIAL	COLOR	ITEM NO. POS.	NOTES
0-19	cover spring clamp version		light grey	4	
41	cover crimp version		light grey	3	
89	cover screw version		light grey	2	
57	pin insert		light grey	1	
97					
112					
92					
31					
91					
71					
11					

ITEM NO. POS.	DESCRIPTION	MATERIAL	COLOR	ITEM NO. POS.	NOTES
HE.16.Sti.S.B.1-16-KM	cover spring clamp version		light grey	4	
HE.16.Sti.S.B.17-32-AU	cover crimp version		light grey	3	
HE.16.Sti.S.-T.B.8+4+4	cover screw version		light grey	2	
HE.16.Sti.S.B.1-16-AU	pin insert		light grey	1	
HE.16.Sti.S.C.B.17-32					
HE.16.Sti.S.C.B.1-16					
HE.16.Sti.S.C.B.17-32					
HE.16.Sti.C					
HE.16.Sti.S.B.17-32					
HE.16.Sti.S.-T.B.1-16					
HE.16.Sti.S.B.1-16					

THIS DRAWING IS A CONTROLLED DOCUMENT. DIESE ZEICHNUNG IST EIN KONTROLLIERTES DOKUMENT.		DWN 08.02.99 Schneider	TE Connectivity	
DIMENSIONS: MASSENHEITEN mm		CHK 08.02.00 Schweiger	Male insert HE.16.STIs/C	
TOLERANCES, UNLESS OTHERWISE SPECIFIED: ALLGEMEINTOLERANZEN		APVD -	NAME	
0 PLC ±		PRODUCT SPEC	DRAWING NO. ZEICHNUNGS-NR.	
1 PLC ±		APPLICATION SPEC. VERARBEITUNGSSPEZ.	SCALE MASSTAB 1:1	
2 PLC ±		WEIGHT GEWICHT	SHEET BLATT 1 OF VON 1	
3 PLC ±		FINISH / OBERFLAECHE / FARBE	REV C12	
4 PLC ±				
ANGLES / WINKEL ±				