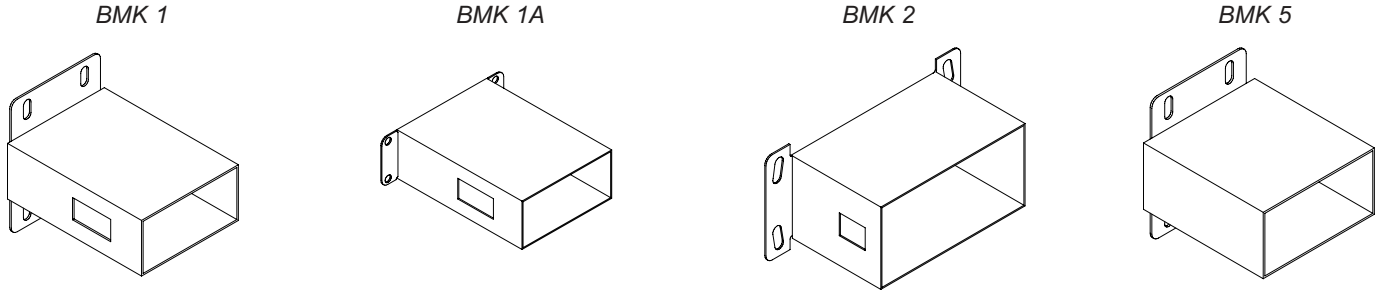


INSTALLATION FOR BASE MOUNT KITS



Four Base Mount Kits used in conjunction with the Cub Counter Series are available to replace almost all existing miniature and general purpose electro-mechanical counters on the market today. Two Base Mount Kits are designed for the CUB1 (BMK1 and BMK1A), one for the CUB2 (BMK2), and one for the CUB3 (BMK5). The kits are coated with a durable flat black polyurethane finish.

The counters are easily installed by sliding the unit into the base mount enclosure until the spring clips engage in the slots on the side of the case.

The connecting wires can either be brought through the panel on which the unit is mounted, or through a hole in the enclosure itself. A grommet is provided to insert in the hole on the base mount (where applicable) when wires are routed through it. A plug is provided to close the hole when this option is not used. The plug and grommet are provided in the accessory bag with each base mount unit along with four nuts and bolts for mounting.

INSTALLATION

For installation, see Figure 1 and follow the procedures below:

Note: Installation for all base mounts and counters are basically the same.

1. Attach two mounting clips to the side of the counter with two screws. (Clips and screws are provided in the accessory bag of the CUB1 and CUB2 counters ONLY. The CUB3 does not require clips and screws.)
2. If the hole in the base mount is used, install the grommet into the hole and pull the external signal wires from the count switch or sensor (and remote reset if used) into the enclosure through the grommet.
 If wires enter through the existing panel or frame and back of the base mount unit, close the hole in the base mount with the plug.
 Both grommet and plug are provided in the accessory bag with the Base Mount Kit.
3. Cut the wires from the CUB to a length of about 5" and make wire nut connections to the incoming wires. (Wire nuts are provided with the CUB1 and CUB2 ONLY.)
4. Fold excess wire into the rear of the base mount while sliding the counter body into the enclosure until the spring tabs snap out to engage in the slots in the side of the case.
5. Mount the base mount enclosure to the panel or frame as application requires. Four bolts and nuts are provided with the Base Mount Kit.

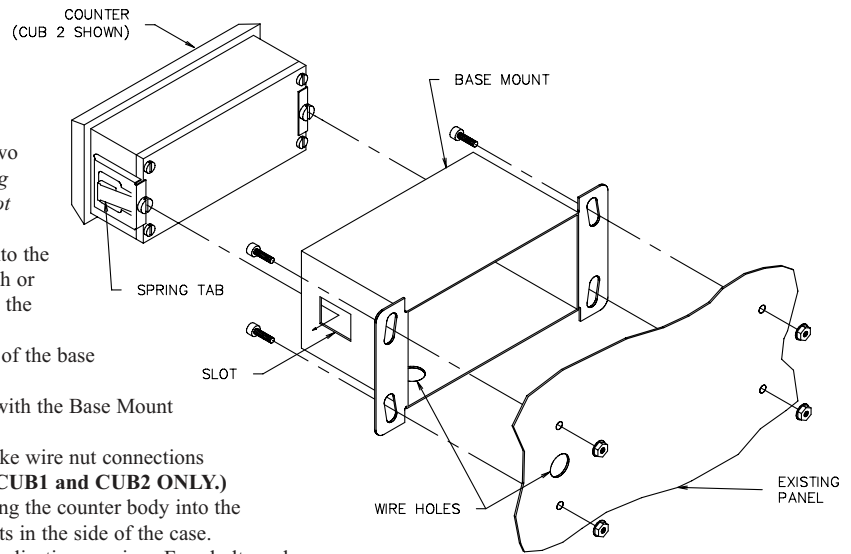


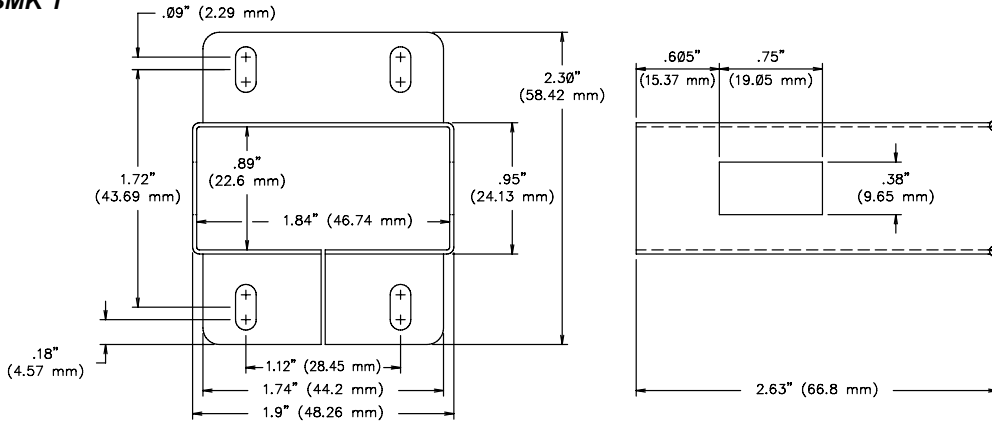
FIGURE 1

ORDERING INFORMATION

MODEL NO.	DESCRIPTION	PART NUMBER
BMK1	Cub 1 Base Mount Kit	BMK10000
BMK1A	Cub 1 Base Mount Kit	BMK1A000
BMK2	Cub 2/DT5/DT6 Base Mount Kit	BMK20000
BMK5	Cub 3 Base Mount Kit	BMK50000

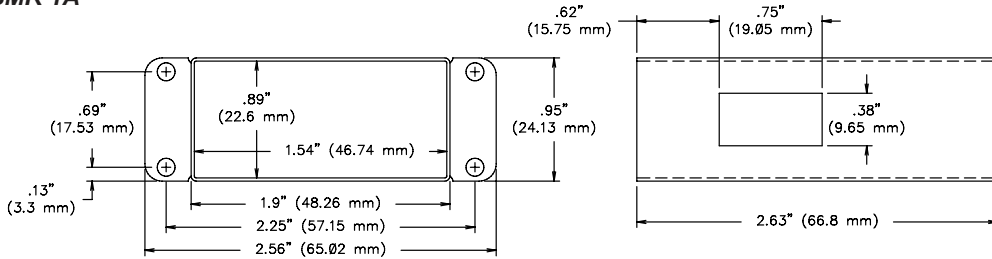
DIMENSIONS

BMK 1



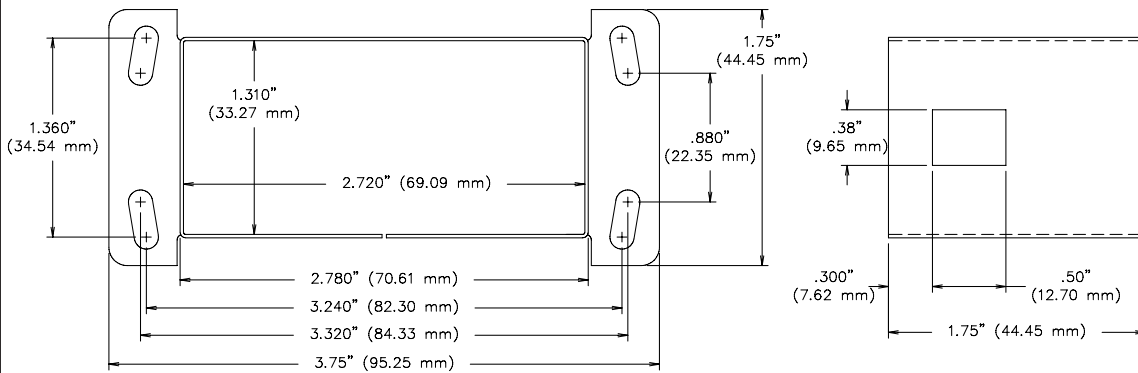
REPLACES
 Durant Miniature
 Electric Counters
 4Y & 6Y Series

BMK 1A



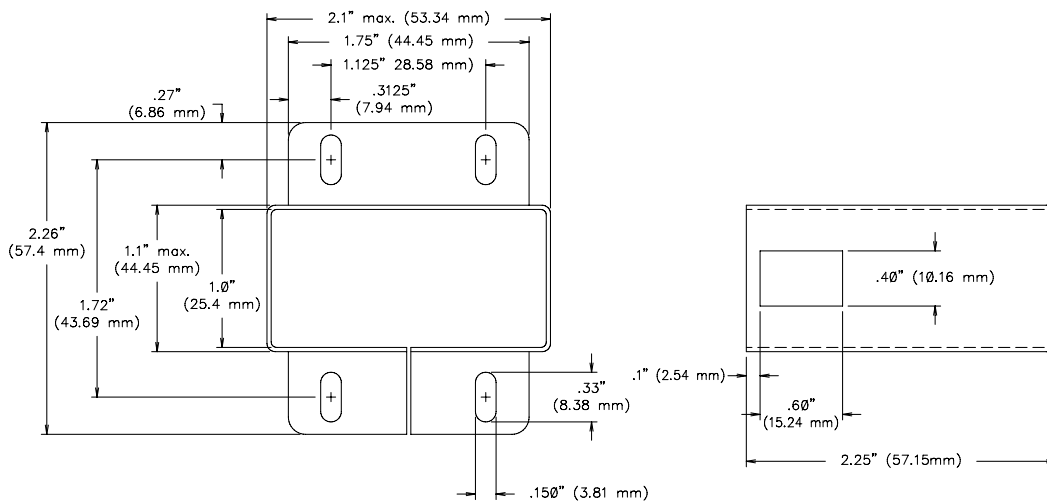
REPLACES
 Veeder Root Series
 1205, 1981, 7443, 7995 & 7997
 Durant Electric Counters Series
 Y-RMF, Y-MF, YE, 6-CS & 54000

BMK 2



REPLACES
 Veeder Root Series
 7437 & 7438

BMK 5



REPLACES
 Durant Miniature
 Electric Counters
 4Y & 6Y Series