

Product Datasheet

MC2309130-002-C

Mellanox® Compatible 40Gb/s QSFP+ to 10Gb/s SFP+ Direct Attach Cable, Copper, 2m, Passive

FEATURES

- Compliant with SFF- 8436, SFF-8431, SFF-8432 and SFF-8472
- Up to 10.3125Gb/s data rate per channel
- Up to 7m transmission
- Temperature Range: 0 ~ 70 °C
- Single 3.3V power supply
- RoHS compliant

BENEFITS

- Cost-effective copper solution
- Low total system power solution
- Low total system EMI solution
- Optimized design for signal integrity

DESCRIPTION

ATGBICS® MC2309130-002-C 40G QSFP+ to 1 x 10G SFP+ Direct Attach Cable is compliant with the SFF-8436, SFF-8431, SFF-8432 and SFF-8472 specifications. This cable is available in lengths of 2m to 7m, wire gauge is dependent on cable length.

General Product Characteristics

| QSFP/SFP+ DAC Specifications | |
|------------------------------|---|
| Number of Lanes | Tx & Rx |
| Channel Data Rate | 10.3125 Gbps |
| Operating Temperature | 0 to + 70°C |
| Storage Temperature | -40 to + 85°C |
| Supply Voltage | 3.3 V nominal |
| Electrical Interface | 38 pins edge connector (QSFP+) 20 pins edge connector (SFP+) |
| Management Interface | 2 Serial, I C |

Product Datasheet

High Speed Characteristics

| Parameter | Symbol | Min | Typical | Max | Unit | Note |
|---|--------|--------|---------|-------|------|---------------------|
| Differential Impedance | TDR | 90 | 100 | 110 | Ω | |
| Insertion loss | SDD21 | -17.04 | | | dB | At 5.15625 GHz |
| Differential Return Loss | SDD11 | | | See 1 | dB | At 0.05 to 4.1 GHz |
| | SDD22 | | | See 2 | dB | At 4.1 to 11.1 GHz |
| Differential to common-mode return loss | SCD11 | | | | | |
| | SCD22 | | | -10 | dB | At 0.2 to 11.1 GHz |
| Common-mode to common-mode output return loss | SCC11 | -3 | | | | |
| | SCC22 | | | | dB | At 0.01 to 11.1 GHz |

Notes:

1. Reflection Coefficient given by equation $SDD11(\text{dB}) < -12 + 2 \times \text{SQRT}(f)$, with f in GHz
2. Reflection Coefficient given by equation $SDD11(\text{dB}) < -6.3 + 13 \times \log_{10}(f/5.5)$, with f in GHz

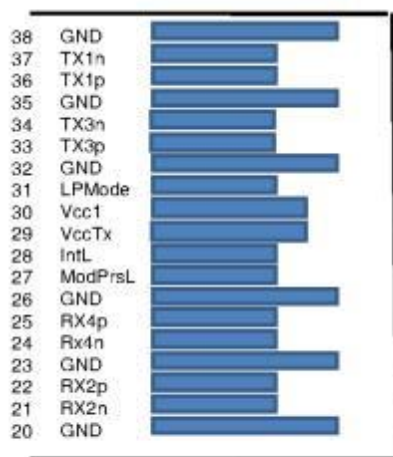
Product Datasheet

QSFP+ Pin Function Definition

| Pin | Logic | Symbol | Description |
|-----|-------------|---------|-------------------------------------|
| 1 | | GND | Ground |
| 2 | CML-I | Tx2n | Transmitter Inverted Data Input |
| 3 | CML-I | Tx2p | Transmitter Non-Inverted Data Input |
| 4 | | GND | Ground |
| 5 | CML-I | Tx4n | Transmitter Inverted Data Input |
| 6 | CML-I | Tx4p | Transmitter Non-Inverted Data Input |
| 7 | | GND | Ground |
| 8 | LVTTL-I | ModSelL | Module Select |
| 9 | LVTTL-I | ResetL | Module Reset |
| 10 | | Vcc Rx | +3.3V Power Supply Receiver |
| 11 | LVC MOS-I/O | SCL | 2-wire serial interface clock |
| 12 | LVC MOS-I/O | SDA | 2-wire serial interface data |
| 13 | | GND | Ground |
| 14 | CML-O | Rx3p | Receiver Non-Inverted Data Output |
| 15 | CML-O | Rx3n | Receiver Inverted Data Output |
| 16 | | GND | Ground |
| 17 | CML-O | Rx1p | Receiver Non-Inverted Data Output |
| 18 | CML-O | Rx1n | Receiver Inverted Data Output |
| 19 | | GND | Ground |
| 20 | | GND | Ground |
| 21 | CML-O | Rx2n | Receiver Inverted Data Output |
| 22 | CML-O | Rx2p | Receiver Non-Inverted Data Output |

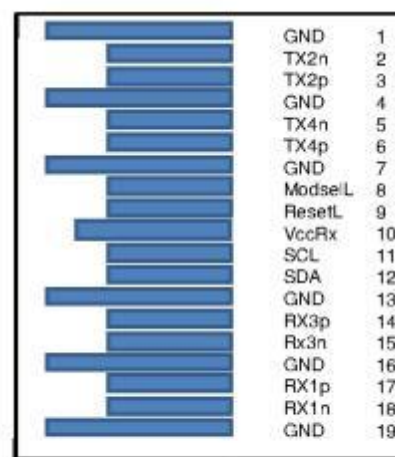
Product Datasheet

| | | | |
|----|---------|---------|-------------------------------------|
| 23 | | GND | Ground |
| 24 | CML-O | Rx4n | Receiver Inverted Data Output |
| 25 | CML-O | Rx4p | Receiver Non-Inverted Data Output |
| 26 | | GND | Ground |
| 27 | LVTTL-O | ModPrsL | Module Present |
| 28 | LVTTL-O | IntL | Interrupt |
| 29 | | Vcc Tx | +3.3V Power supply transmitter |
| 30 | | Vcc1 | +3.3V Power supply |
| 31 | LVTTL-I | LPMODE | Low Power Mode |
| 32 | | GND | Ground |
| 33 | CML-I | Tx3p | Transmitter Non-Inverted Data Input |
| 34 | CML-I | Tx3n | Transmitter Inverted Data Input |
| 35 | | GND | Ground |
| 36 | CML-I | Tx1p | Transmitter Non-Inverted Data Input |
| 37 | CML-I | Tx1n | Transmitter Inverted Data Input |
| 38 | | GND | Ground |



Top Side
Viewed From Top

Module Card Edge



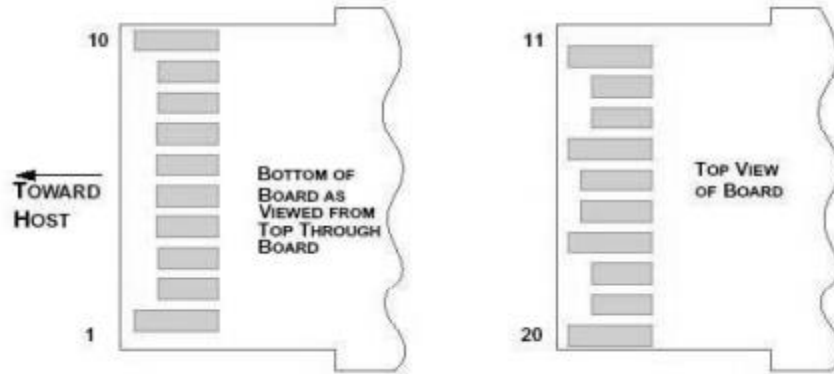
Bottom Side
Viewed From Bottom

Product Datasheet

SFP+ Pin Function Definition

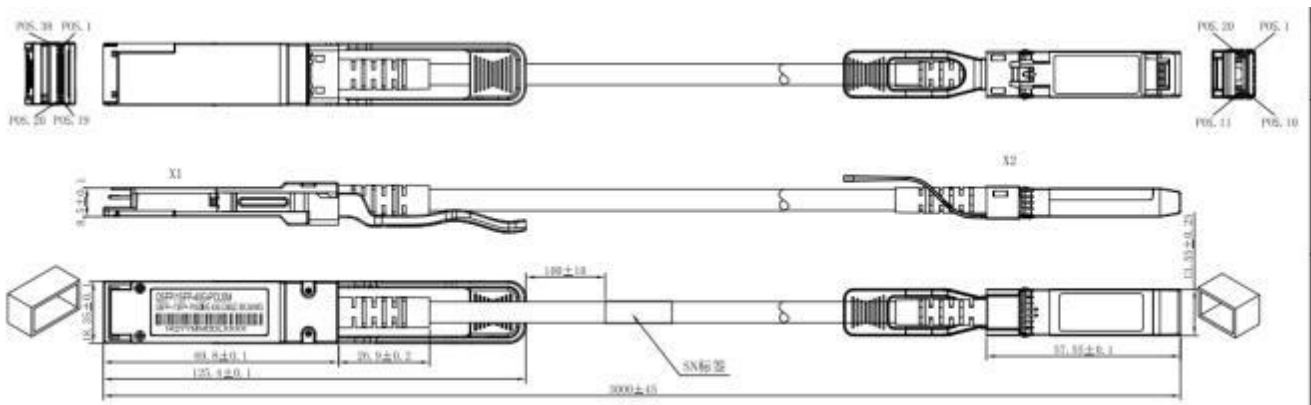
| Pin | Logic | Symbol | Description |
|-----|-----------|------------|---|
| 1 | | VeeT | Module Transmitter Ground |
| 2 | LVTTL-O | Tx_Fault | Module Transmitter Fault |
| 3 | LVTTL-I | Tx_Disable | Transmitter disable; Turns off transmitter laser output |
| 4 | LVTTL-I/O | SDA | 2-wire Serial Interface Data Line (Same as MOD-DEF2 in INF-8074i) |
| 5 | LVTTL-I/O | SCL | 2-wire Serial Interface Clock (Same as MOD-DEF1 in INF-8074i) |
| 6 | | Mod_ABS | Module Absent, connected to VeeT or VeeR in the module |
| 7 | LVTTL-I | RS0 | Rate Select 0, optionally controls SFP+ module receiver |
| 8 | LVTTL-O | Rx_LOS | Receiver Loss of Signal Indication (In FC designated as Rx_LOS and in Ethernet designated as Signal Detect) |
| 9 | LVTTL-I | RS1 | Rate Select 1, optionally controls SFP+ module transmitter |
| 10 | | VeeR | Module Receiver Ground |
| 11 | | VeeR | Module Receiver Ground |
| 12 | CML-O | RD- | Receiver Inverted Data Output |
| 13 | CML-O | RD+ | Receiver Non-Inverted Data Output |
| 14 | | VeeR | Module Receiver Ground |
| 15 | | VccR | Module Receiver 3.3 V Supply |
| 16 | | VccT | Module Transmitter 3.3 V Supply |
| 17 | | VeeT | Module Transmitter Ground |
| 18 | CML-I | TD+ | Transmitter Non-Inverted Data Input |
| 19 | CML-I | TD- | Transmitter Inverted Data Input |
| 20 | | VeeT | Module Transmitter Ground |

Product Datasheet



Mechanical Specifications

The connector is compatible with the SFF-8436 and SFF-8432 specification.



| Length (m) | Wire AWG |
|------------|----------|
| 1 | 30 |
| 2 | 30 |
| 3 | 30 |
| 5 | 26 |
| 7 | 24 |

Product Datasheet

Regulatory Compliance

| Feature | Test Method | Performance |
|---|--|---|
| Electrostatic Discharge (ESD) to the Electrical Pins | MIL-STD-883C Method 3015.7 | Class 1(>2000 Volts) |
| Electromagnetic Interference (EMI) | FCC Class B | Compliant with Standards |
| | CENELEC EN55022 Class B | |
| | CISPR22 ITE Class B | |
| RF Immunity (RFI) | IEC61000-4-3 | Typically Show no Measurable Effect from a 10V/m Field Swept from 80 to 1000MHz |
| RoHS Compliance | RoHS Directive 2011/65/EU and it's Amendment Directives (EU) | RoHS (EU) 2015/863 compliant |
| REACH Compliance | REACH Regulation (EC) No 1907/2006 | REACH (EC) No 1907/2006 compliant |