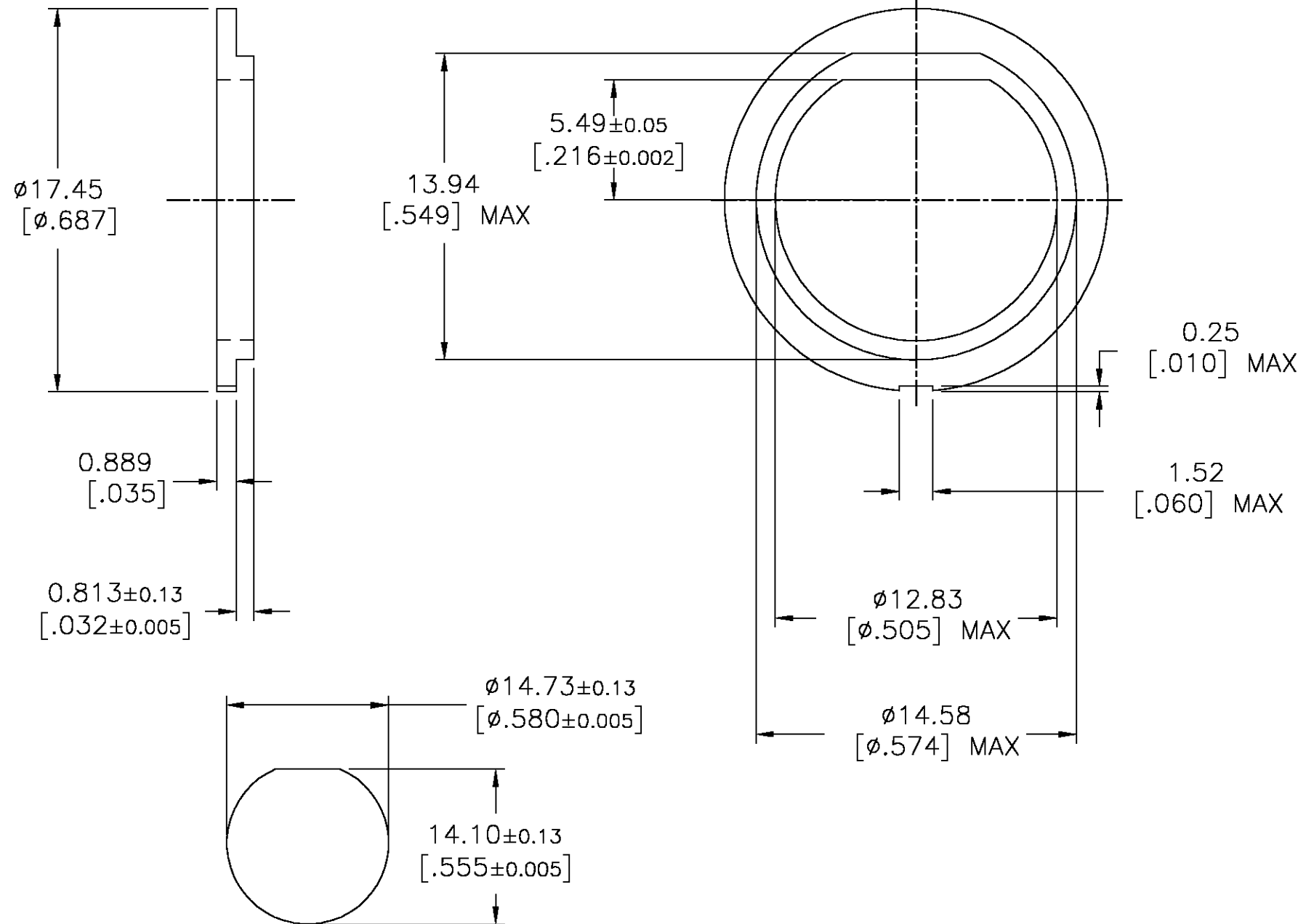


THIS DRAWING IS UNPUBLISHED. RELEASED FOR PUBLICATION
 © COPYRIGHT BY TYCO ELECTRONICS CORPORATION. ALL RIGHTS RESERVED.

LOC	DIST	REVISIONS			
P	LTR	DESCRIPTION	DATE	DWN	APVD
AJ	16	J	REV PER OS14-0255-04	05/25/04	KW KW



NOTES:
 1. SEE INSTRUCTION SHEET 408-1576

RECOMMENDED PANEL CUT-OUT
 SCALE 2 : 1

330620
 PART NO.

THIS DRAWING IS A CONTROLLED DOCUMENT.		DWN G. VIERA 01MAY2002	Tyco Electronics Corporation Middletown, PA 17057				
DIMENSIONS: mm		CHK K. WEIDNER 05/01/02					
TOLERANCES UNLESS OTHERWISE SPECIFIED:		APVD K. WEIDNER 05/01/02	NAME COAXICON CONNECTOR INSULATING BUSHING				
0 PLC ± - 1 PLC ± - 2 PLC ± - 3 PLC ± 0.20 [.008] 4 PLC ± - ANGLES ± -		PRODUCT SPEC -	APPLICATION SPEC -				
MATERIAL NYLON MIL-M-20693 (TYPE 1)		FINISH -	WEIGHT .005 OZ.	SIZE A3	CAGE CODE 00779	DRAWING NO C-330620	RESTRICTED TO -
CUSTOMER DRAWING			SCALE 4:1	SHEET 1 OF 1	REV J		