

## Introduction

The Atmel® ATmega16M1/32M1/64M1 is a low-power CMOS 8-bit microcontroller based on the AVR® enhanced RISC architecture. By executing powerful instructions in a single clock cycle, the ATmega16M1/32M1/64M1 achieves throughputs close to 1 MIPS per MHz. This empowers system designer to optimize the device for power consumption versus processing speed.

## Features

- High performance, low power 8-bit AVR® microcontroller
- Advanced RISC architecture
  - 131 powerful instructions - most single clock cycle execution
  - 32 × 8 general purpose working registers
  - Fully static operation
  - Up to 1 MIPS throughput per MHz
  - On-chip 2-cycle multiplier
- Data and non-volatile program memory
  - 16/32/64KBytes flash of in-system programmable program memory
  - 512B/1K/2KBytes of in-system programmable EEPROM
  - 1/2/4KBytes internal SRAM
  - Write/erase cycles: 10,000 flash/ 100,000 EEPROM
  - Data retention: 20 years at 85°C/ 100 years at 25°C <sup>(1)</sup>
  - Optional boot code section with independent lock bits
    - In-system programming by on-chip boot program
    - True read-while-write operation
  - Programming lock for flash program and EEPROM data security
- On-chip debug interface (debugWIRE)
- CAN 2.0A/B with six message objects - ISO 16845 certified
- LIN 2.1 and 1.3 controller or 8-bit UART
- One 12-bit high speed PSC (power stage controller)
  - Non overlapping inverted PWM output pins with flexible dead-time

This is a summary document. A complete document is available on our Web site at [www.atmel.com](http://www.atmel.com)

- Variable PWM duty cycle and frequency
- Synchronous update of all PWM registers
- Auto stop function for emergency event
- Peripheral features
  - One 8-bit general purpose timer/counter with separate prescaler, compare mode and capture mode
  - One 16-bit general purpose timer/counter with separate prescaler, compare mode and capture mode
  - One master/slave SPI serial interface
  - 10-bit ADC
    - Up to 11 single ended channels and three fully differential ADC channel pairs
    - Programmable gain (5×, 10×, 20×, 40×) on differential channels
    - Internal reference voltage
    - Direct power supply voltage measurement
  - 10-bit DAC for variable voltage reference (comparators, ADC)
  - Four analog comparators with variable threshold detection
  - 100µA ±2% current source (LIN node identification)
  - Interrupt and wake-up on pin change
  - Programmable watchdog timer with separate on-chip oscillator
  - On-chip temperature sensor
- Special microcontroller features
  - Low power idle, noise reduction, and power down modes
  - Power on reset and programmable brown-out detection
  - In-system programmable via SPI port
  - High precision crystal oscillator for CAN operations (16MHz)
  - Internal calibrated RC oscillator (8MHz)
  - On-chip PLL for fast PWM (32MHz, 64MHz) and CPU (16MHz)
- Operating voltage: 2.7V - 5.5V
- Extended operating temperature:
  - -40°C to +85°C
- Core speed grade:
  - 0 - 8MHz @ 2.7 - 4.5V
  - 0 - 16MHz @ 4.5 - 5.5V

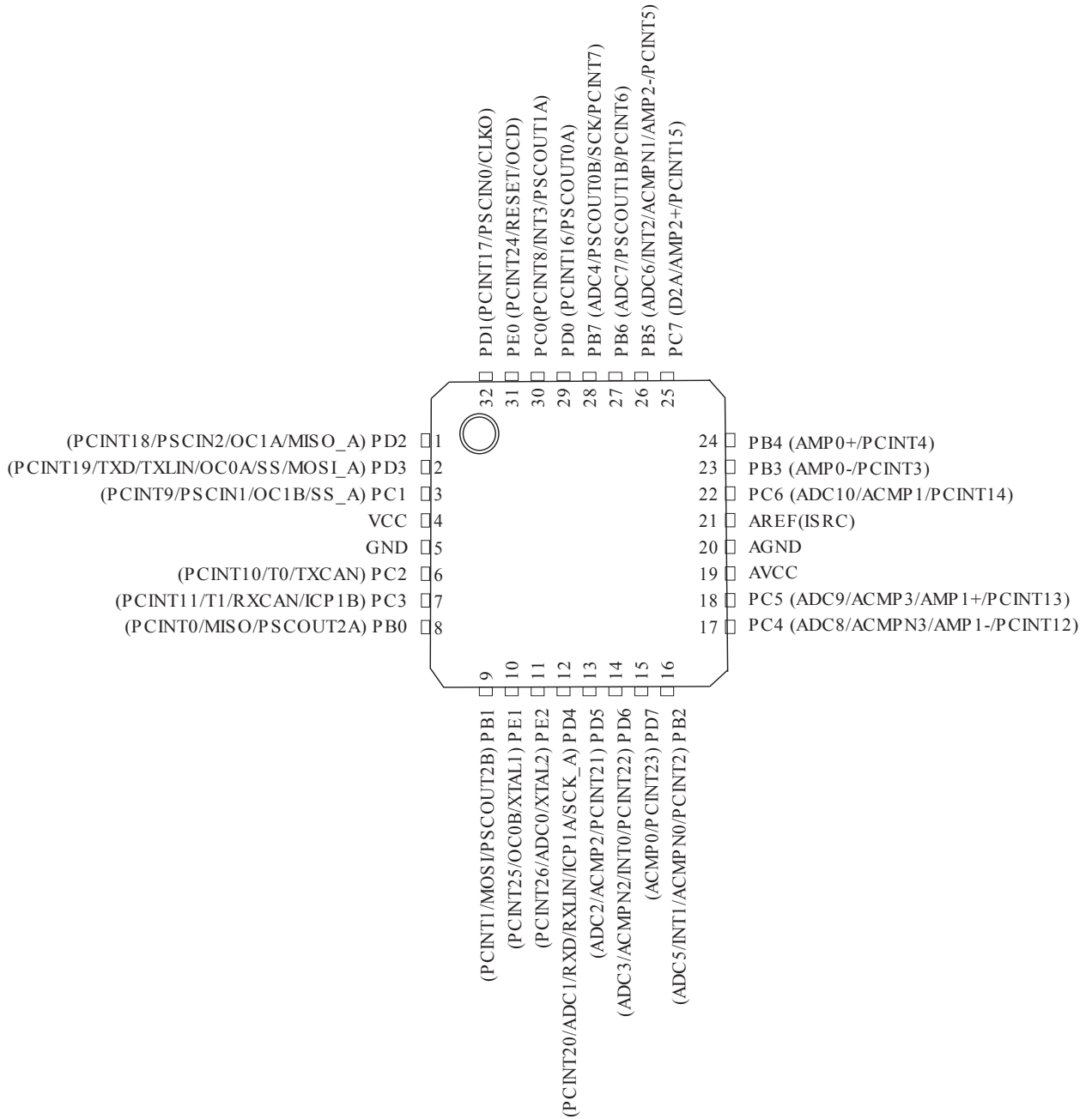
## Table of Contents

---

Introduction.....	1
Features.....	1
1. Pin configurations.....	4
1.1. Pin descriptions.....	5
2. Ordering Information .....	9
2.1. ATmega16M1.....	9
2.2. ATmega32M1.....	9
2.3. ATmega64M1.....	9
3. Overview.....	10
3.1. Block diagram.....	10
3.2. Pin descriptions.....	11
4. Resources.....	13
5. About code examples.....	14
6. Data retention.....	15
7. Packaging Information.....	16
7.1. 32-pin 32A.....	16
7.2. PV 32 QFN.....	17

# 1. Pin configurations

Figure 1-1. Atmel ATmega16M1/32M1/64M1 TQFP32/QFN32 (7mm × 7mm) package.



## 1.1. Pin descriptions

Table 1-1. Pinout description.

QFN32 pin number	Mnemonic	Type	Name, function, and alternate function
5	GND	Power	Ground: 0V reference
20	AGND	Power	Analog ground: 0V reference for analog part
4	VCC	Power	Power supply
19	AVCC	Power	Analog power supply: This is the power supply voltage for analog part For a normal use this pin must be connected
21	AREF	Power	Analog reference: reference for analog converter . This is the reference voltage of the A/D converter. As output, can be used by external analog ISRC (Current Source Output)
8	PB0	I/O	MISO (SPI Master In Slave Out) PSCOUT2A <sup>(1)</sup> (PSC Module 2 Output A) PCINT0 (Pin Change Interrupt 0)
9	PB1	I/O	MOSI (SPI Master Out Slave In) PSCOUT2B <sup>(1)</sup> (PSC Module 2 Output B) PCINT1 (Pin Change Interrupt 1)
16	PB2	I/O	ADC5 (Analog Input Channel 5) INT1 (External Interrupt 1 Input) ACMPN0 (Analog Comparator 0 Negative Input) PCINT2 (Pin Change Interrupt 2)
23	PB3	I/O	AMP0- (Analog Differential Amplifier 0 Negative Input) PCINT3 (Pin Change Interrupt 3)
24	PB4	I/O	AMP0+ (Analog Differential Amplifier 0 Positive Input) PCINT4 (Pin Change Interrupt 4)
26	PB5	I/O	ADC6 (Analog Input Channel 6) INT2 (External Interrupt 2 Input) ACMPN1 (Analog Comparator 1 Negative Input) AMP2- (Analog Differential Amplifier 2 Negative Input) PCINT5 (Pin Change Interrupt 5)
27	PB6	I/O	ADC7 (Analog Input Channel 7) PSCOUT1B <sup>(1)</sup> (PSC Module 1 Output A) PCINT6 (Pin Change Interrupt 6)

QFN32 pin number	Mnemonic	Type	Name, function, and alternate function
28	PB7	I/O	ADC4 (Analog Input Channel 4) PSCOUT0B <sup>(1)</sup> (PSC Module 0 Output B) SCK (SPI Clock) PCINT7 (Pin Change Interrupt 7)
30	PC0	I/O	PSCOUT1A <sup>(1)</sup> (PSC Module 1 Output A) INT3 (External Interrupt 3 Input) PCINT8 (Pin Change Interrupt 8)
3	PC1	I/O	PSCIN1 (PSC Digital Input 1) OC1B (Timer 1 Output Compare B) SS_A (Alternate SPI Slave Select) PCINT9 (Pin Change Interrupt 9)
6	PC2	I/O	T0 (Timer 0 clock input) TXCAN (CAN Transmit Output) PCINT10 (Pin Change Interrupt 10)
7	PC3	I/O	T1 (Timer 1 clock input) RXCAN (CAN Receive Input) ICP1B (Timer 1 input capture alternate B input) PCINT11 (Pin Change Interrupt 11)
17	PC4	I/O	ADC8 (Analog Input Channel 8) AMP1- (Analog Differential Amplifier 1 Negative Input) ACMPN3 (Analog Comparator 3 Negative Input ) PCINT12 (Pin Change Interrupt 12)
18	PC5	I/O	ADC9 (Analog Input Channel 9) AMP1+ (Analog Differential Amplifier 1 Positive Input) ACMP3 (Analog Comparator 3 Positive Input) PCINT13 (Pin Change Interrupt 13)
22	PC6	I/O	ADC10 (Analog Input Channel 10) ACMP1 (Analog Comparator 1 Positive Input) PCINT14 (Pin Change Interrupt 14)
25	PC7	I/O	D2A (DAC output) AMP2+ (Analog Differential Amplifier 2 Positive Input) PCINT15 (Pin Change Interrupt 15)
29	PD0	I/O	PSCOUT0A <sup>(1)</sup> (PSC Module 0 Output A) PCINT16 (Pin Change Interrupt 16)

QFN32 pin number	Mnemonic	Type	Name, function, and alternate function
32	PD1	I/O	PSCIN0 (PSC Digital Input 0) CLKO (System Clock Output) PCINT17 (Pin Change Interrupt 17)
1	PD2	I/O	OC1A (Timer 1 Output Compare A) PSCIN2 (PSC Digital Input 2) MISO_A (Programming & alternate SPI Master In Slave Out) PCINT18 (Pin Change Interrupt 18)
2	PD3	I/O	TXD (UART Tx data) TXLIN (LIN Transmit Output) OC0A (Timer 0 Output Compare A) SS (SPI Slave Select) MOSI_A (Programming & alternate Master Out SPI Slave In) PCINT19 (Pin Change Interrupt 19)
12	PD4	I/O	ADC1 (Analog Input Channel 1) RXD (UART Rx data) RXLIN (LIN Receive Input) ICP1A (Timer 1 input capture alternate A input) SCK_A (Programming & alternate SPI Clock) PCINT20 (Pin Change Interrupt 20)
13	PD5	I/O	ADC2 (Analog Input Channel 2) ACMP2 (Analog Comparator 2 Positive Input) PCINT21 (Pin Change Interrupt 21)
14	PD6	I/O	ADC3 (Analog Input Channel 3) ACMPN2 (Analog Comparator 2 Negative Input) INT0 (External Interrupt 0 Input) PCINT22 (Pin Change Interrupt 22)
15	PD7	I/O	ACMP0 (Analog Comparator 0 Positive Input) PCINT23 (Pin Change Interrupt 23)
31	PE0	I/O or I	RESET (Reset Input) OCD (On Chip Debug I/O) PCINT24 (Pin Change Interrupt 24)

QFN32 pin number	Mnemonic	Type	Name, function, and alternate function
10	PE1	I/O	XTAL1 (XTAL Input) OC0B (Timer 0 Output Compare B) PCINT25 (Pin Change Interrupt 25)
11	PE2	I/O	XTAL2 (XTAL Output) ADC0 (Analog Input Channel 0) PCINT26 (Pin Change Interrupt 26)

1. **Note:** Only for Atmel Atmega32M1/64M1.
2. **Note:** On the engineering samples, the ACMPN3 alternate function is not located on PC4. It is located on PE2.



## 2. Ordering Information

### 2.1. ATmega16M1

Speed [MHz]	Power Supply [V]	Ordering Code	Package	Operational Range
16	2.7 - 5.5	ATmega16M1-AU ATmega16M1-MU	32A PV	Industrial (-40°C to 85°C)

**Note:** All packages are Pb free, fully LHF.

Package Type	
32A	32-lead, Thin (1.0mm) Plastic Quad Flat Package (TQFP)
PV	PV, 32-lead, 7.0mm × 7.0mm body, 0.65mm pitch quad flat no lead package (QFN)

### 2.2. ATmega32M1

Speed [MHz]	Power Supply [V]	Ordering Code	Package	Operational Range
16	2.7 - 5.5	ATmega32M1-AU ATmega32M1-MU	32A PV	Industrial (-40°C to 85°C)

**Note:** All packages are Pb free, fully LHF.

Package Type	
32A	32-lead, Thin (1.0mm) Plastic Quad Flat Package (TQFP)
PV	PV, 32-lead, 7.0mm × 7.0mm body, 0.65mm pitch quad flat no lead package (QFN)

### 2.3. ATmega64M1

Speed [MHz]	Power Supply [V]	Ordering Code	Package	Operational Range
16	2.7 - 5.5	ATmega64M1-AU ATmega64M1-MU	32A PV	Industrial (-40°C to 85°C)

**Note:** All packages are Pb free, fully LHF.

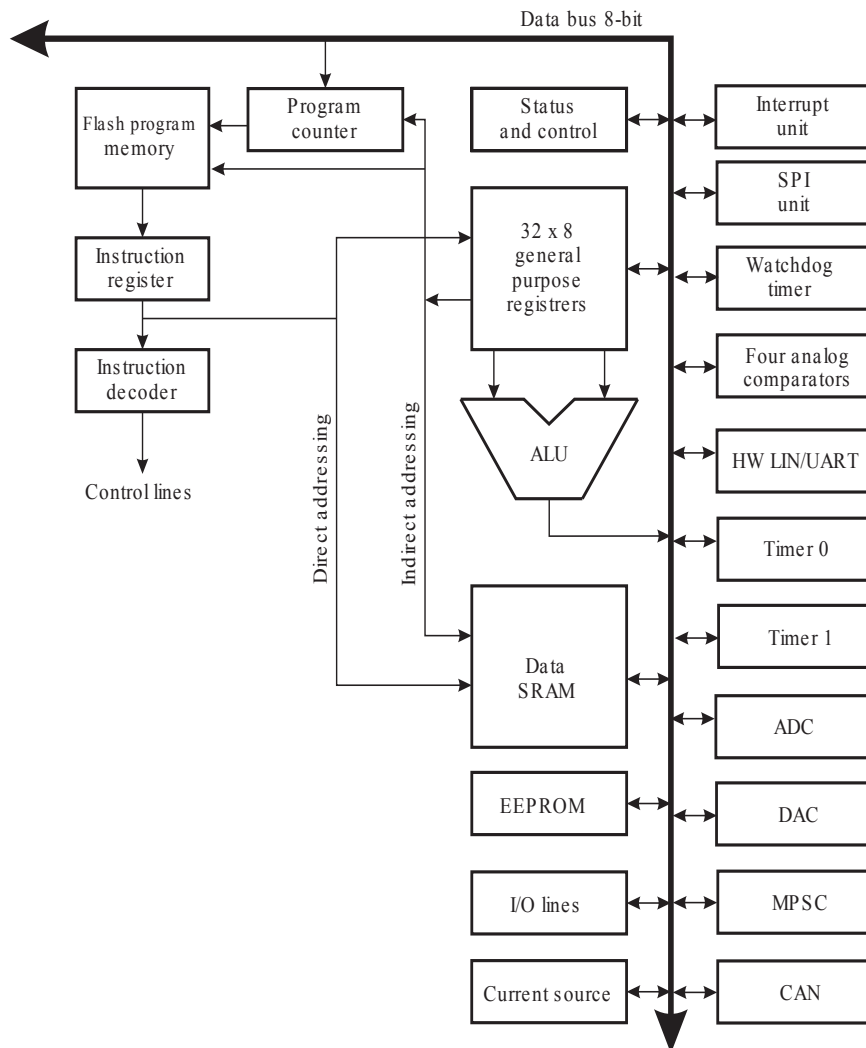
Package Type	
32A	32-lead, Thin (1.0mm) Plastic Quad Flat Package (TQFP)
PV	PV, 32-lead, 7.0mm × 7.0mm body, 0.65mm pitch quad flat no lead package (QFN)

### 3. Overview

The Atmel ATmega16M1/32M1/64M1 is a low-power CMOS 8-bit microcontroller based on the AVR enhanced RISC architecture. By executing powerful instructions in a single clock cycle, the ATmega16M1/32M1/64M1 achieves throughputs approaching 1 MIPS per MHz allowing the system designer to optimize power consumption versus processing speed.

#### 3.1. Block diagram

Figure 3-1. Block diagram.



The AVR core combines a rich instruction set with 32 general purpose working registers. All the 32 registers are directly connected to the Arithmetic Logic Unit (ALU), allowing two independent registers to be accessed in one single instruction executed in one clock cycle. The resulting architecture is more code efficient while achieving throughputs up to ten times faster than conventional CISC microcontrollers.

The Atmel ATmega16M1/32M1/64M1 provides the following features: 16/32/64Kbytes of In-System Programmable Flash with Read-While-Write capabilities, 512B/1K/2Kbytes EEPROM, 1/2/4Kbytes SRAM, 27 general purpose I/O lines, 32 general purpose working registers, one Motor Power Stage Controller, two flexible Timer/Counters with compare modes and PWM, one UART with HW LIN, an 11-channel 10-bit ADC with two differential input stages with programmable gain, a 10-bit DAC, a

programmable Watchdog Timer with Internal Individual Oscillator, an SPI serial port, an On-chip Debug system and four software selectable power saving modes.

The Idle mode stops the CPU while allowing the SRAM, Timer/Counters, SPI ports, CAN, LIN/UART and interrupt system to continue functioning. The Power-down mode saves the register contents but freezes the Oscillator, disabling all other chip functions until the next interrupt or Hardware Reset. The ADC Noise Reduction mode stops the CPU and all I/O modules except ADC, to minimize switching noise during ADC conversions. In Standby mode, the Crystal/Resonator Oscillator is running while the rest of the device is sleeping. This allows very fast start-up combined with low power consumption.

The device is manufactured using the Atmel high-density nonvolatile memory technology. The On-chip ISP Flash allows the program memory to be reprogrammed in-system through an SPI serial interface, by a conventional nonvolatile memory programmer, or by an On-chip Boot program running on the AVR core. The boot program can use any interface to download the application program in the application Flash memory. Software in the Boot Flash section will continue to run while the Application Flash section is updated, providing true Read-While-Write operation. By combining an 8-bit RISC CPU with In-System Self-Programmable Flash on a monolithic chip, the Atmel ATmega16M1/32M1/64M1 is a powerful microcontroller that provides a highly flexible and cost effective solution to many embedded control applications.

The Atmel ATmega16M1/32M1/64M1 AVR is supported with a full suite of program and system development tools including: C compilers, macro assemblers, program debugger/simulators, in-circuit emulators, and evaluation kits.

## 3.2. Pin descriptions

**3.2.1.  $V_{CC}$**   
Digital supply voltage.

**3.2.2. GND**  
Ground.

**3.2.3. Port B (PB7..PB0)**  
Port B is an 8-bit bi-directional I/O port with internal pull-up resistors (selected for each bit). The Port B output buffers have symmetrical drive characteristics with both high sink and source capability. As inputs, Port B pins that are externally pulled low will source current if the pull-up resistors are activated. The Port B pins are tri-stated when a reset condition becomes active, even if the clock is not running.

Port B also serves the functions of various special features of the ATmega16M1/32M1/64M1 as listed on *Alternate Functions of Port B*. Refer to *Alternate Functions of Port B* for details.

**3.2.4. Port C (PC7..PC0)**  
Port C is an 8-bit bi-directional I/O port with internal pull-up resistors (selected for each bit). The Port C output buffers have symmetrical drive characteristics with both high sink and source capability. As inputs, Port C pins that are externally pulled low will source current if the pull-up resistors are activated. The Port C pins are tri-stated when a reset condition becomes active, even if the clock is not running.

Port C also serves the functions of special features of the ATmega16M1/32M1/64M1 as listed in *Alternate Functions of Port C*. Refer to *Alternate Functions of Port C* for details.

**3.2.5. Port D (PD7..PD0)**  
Port D is an 8-bit bi-directional I/O port with internal pull-up resistors (selected for each bit). The Port D output buffers have symmetrical drive characteristics with both high sink and source capability. As inputs,

Port D pins that are externally pulled low will source current if the pull-up resistors are activated. The Port D pins are tri-stated when a reset condition becomes active, even if the clock is not running.

Port D also serves the functions of various special features of the Atmel ATmega16M1/32M1/64M1 as listed in *Alternate Functions of Port D*. Refer to *Alternate Functions of Port D* for details.

### 3.2.6. Port E (PE2..0) $\overline{\text{RESET}}$ / XTAL1/XTAL2

Port E is an 3-bit bi-directional I/O port with internal pull-up resistors (selected for each bit). The Port E output buffers have symmetrical drive characteristics with both high sink and source capability. As inputs, Port E pins that are externally pulled low will source current if the pull-up resistors are activated. The Port E pins are tri-stated when a reset condition becomes active, even if the clock is not running.

If the RSTDISBL Fuse is programmed, PE0 is used as an I/O pin. Note that the electrical characteristics of PE0 differ from those of the other pins of Port E.

If the RSTDISBL Fuse is unprogrammed, PE0 is used as a reset input. A low level on this pin for longer than the minimum pulse length will generate a reset, even if the clock is not running. The minimum pulse length is given in *System and reset characteristics*. Shorter pulses are not guaranteed to generate a Reset.

Depending on the clock selection fuse settings, PE1 can be used as input to the inverting Oscillator amplifier and input to the internal clock operating circuit.

Depending on the clock selection fuse settings, PE2 can be used as output from the inverting Oscillator amplifier.

The various special features of Port E are elaborated in *Alternate Functions of Port E*.

### 3.2.7. $\text{AV}_{\text{CC}}$

$\text{AV}_{\text{CC}}$  is the supply voltage pin for the A/D Converter, D/A Converter, Current source. It should be externally connected to  $V_{\text{CC}}$ , even if the ADC, DAC are not used. If the ADC is used, it should be connected to  $V_{\text{CC}}$  through a low-pass filter.

### 3.2.8. AREF

This is the analog reference pin for the A/D Converter.

## 4. Resources

A comprehensive set of development tools, application notes and datasheets are available for download on <http://www.atmel.com/avr>.

## 5. About code examples

This documentation contains simple code examples that briefly show how to use various parts of the device. Be aware that not all C compiler vendors include bit definitions in the header files and interrupt handling in C is compiler dependent. Please confirm with the C compiler documentation for more details.

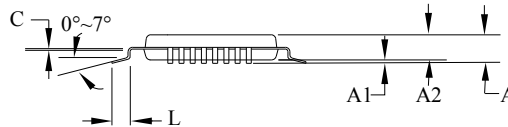
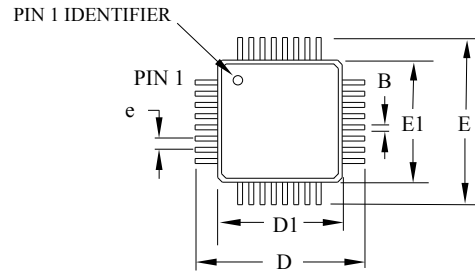
These code examples assume that the part specific header file is included before compilation. For I/O registers located in extended I/O map, "IN", "OUT", "SBIS", "SBIC", "CBI", and "SBI" instructions must be replaced with instructions that allow access to extended I/O. Typically "LDS" and "STS" combined with "SBRS", "SBRC", "SBR", and "CBR".

## 6. Data retention

Reliability Qualification results show that the projected data retention failure rate is much less than 1ppm over 20 years at 85°C or 100 years at 25°C.

## 7. Packaging Information

### 7.1. 32-pin 32A



**COMMON DIMENSIONS**  
(Unit of measure = mm)

SYMBOL	MIN	NOM	MAX	NOTE
A	–	–	1.20	
A1	0.05	–	0.15	
A2	0.95	1.00	1.05	
D	8.75	9.00	9.25	
D1	6.90	7.00	7.10	Note 2
E	8.75	9.00	9.25	
E1	6.90	7.00	7.10	Note 2
B	0.30	–	0.45	
C	0.09	–	0.20	
L	0.45	–	0.75	
e	0.80 TYP			

Notes:

1. This package conforms to JEDEC reference MS-026, Variation ABA.
2. Dimensions D1 and E1 do not include mold protrusion. Allowable protrusion is 0.25mm per side. Dimensions D1 and E1 are maximum plastic body size dimensions including mold mismatch.
3. Lead coplanarity is 0.10mm maximum.

2010-10-20

**Atmel**

**TITLE**

**32A, 32-lead, 7 x 7mm body size, 1.0mm body thickness, 0.8mm lead pitch, thin profile plastic quad flat package (TQFP)**

**DRAWING NO.**

32A

**REV.**

C



## 7.2. PV 32 QFN

