

6

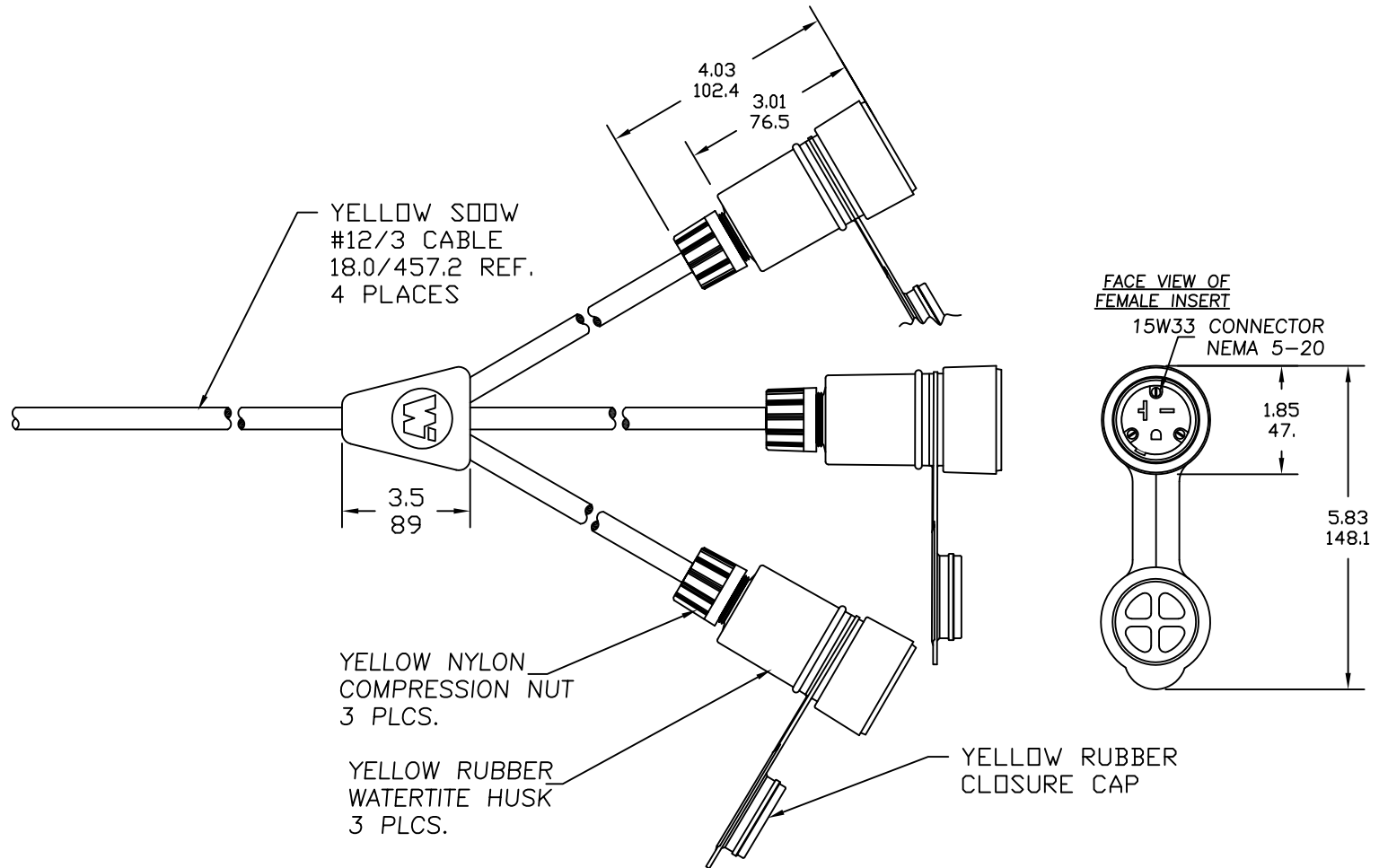
5

4

3

2

1



RELEASE DRAWING EC NO: WNA2010-0458 DRWN: TVICKERS 2010/01/21 CHKD: HKNELAN 2009/11/23 APPR: DTITUS 2010/01/28	DESCRIPTION REV	QUALITY SYMBOLS $\nabla=0$ $\nabla C=0$	GENERAL TOLERANCES (UNLESS SPECIFIED)		DIMENSION STYLE INCH		SCALE NTS	DESIGN UNITS INCH	THIRD ANGLE PROJECTION	
		4 PLACES ±--- ±--- 3 PLACES ±--- ±.005 2 PLACES ±0.13 ±.010 1 PLACE ±0.25 ±.020	mm INCH	DRAWN BY ---	DATE ---	TITLE MOLDED "W" SPLICE NEMA 5-20 CONN. NO PLUG TOTAL 46.15" REF.				
		ANGULAR ±1/2°		CHECKED BY DWILLIAM	DATE 2010/01/21	MOLEX INCORPORATED				
		DRAFT WHERE APPLICABLE MUST REMAIN WITHIN DIMENSIONS		APPROVED BY DTITUS	DATE 2010/01/28	MATERIAL NO. 1301540118	DOCUMENT NO. SD-130154-011	SHEET NO. 1 OF 1		
SIZE A		THIS DRAWING CONTAINS INFORMATION THAT IS PROPRIETARY TO MOLEX INCORPORATED AND SHOULD NOT BE USED WITHOUT WRITTEN PERMISSION								

6

5

4

3

2

1