

ENG. NO.
SD_35150-029*

EDP NO.

SIMILAR ITEM

PROJECT NO.
.070 W/W CONN'

8

7

6

5

4

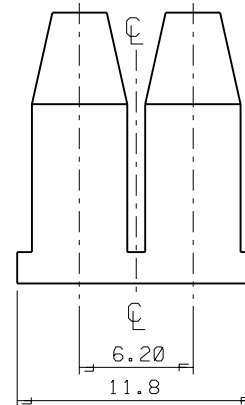
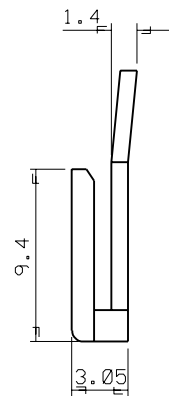
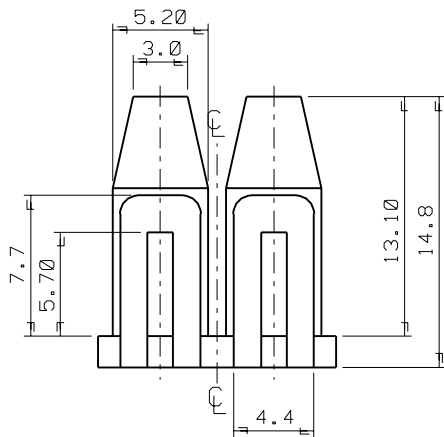
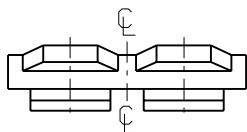
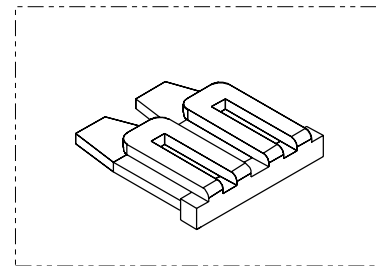
3

2

1

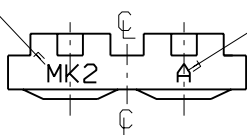
NOTES

- MATERIAL : NYLON 66 (UL94V-2)
- COLOR : 35150-0290 (NATURAL)
35150-0292 (RED)
35150-0293 (YELLOW)
35150-0294 (BLUE)
- MATCHED HOUSING : 35150-020*/021*
35151-021*
35150-040*/041*
35151-041*



TRADE MARK
(MK2)

CAV. NO.
(A, B, C, ...)



				MATERIAL SEE NOTES		molex MOLEX-KOREA CO.,LTD.	
				GENERAL TOLERANCE DIMENSION : ±0.3 ANGLE : ±1°		DRAWN BY J. S. KANG	CHK'D BY
				DIMENSION CLASSIFICATION ▽ : CRITICAL ▼ : MAJOR () : REFERENCE		APP'D BY	SCALE 4/1
A	NEW RELEASED		95	3.10	TITLE: 6.2 PITCH W/W CONN' T.P.A - 2P		SHEET 1 OF 1
LTR	REVISION RECORD	ECN	DATE	ASS'Y PART DESCRIPTION ENG. NO.		ENG. NO. SD 35150-029*	REV A
REVISE ONLY ON CAD SYSTEM				---			