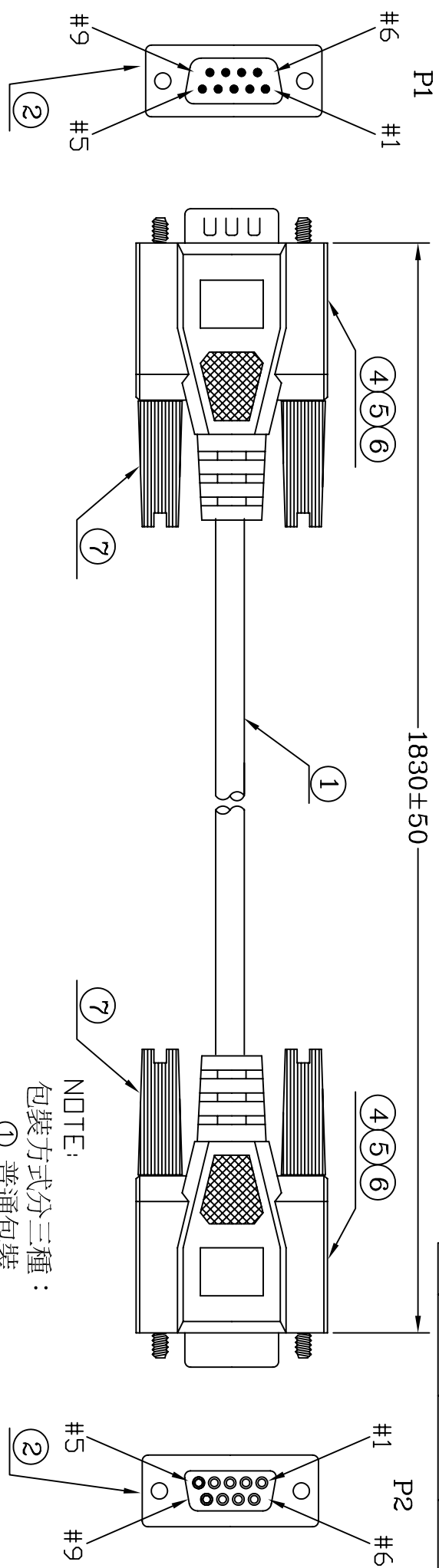


REV	DESC	DATE	APP
G	$\Delta$	2010.07.30	N21007241



ROHS COMPLIANT

包裝方式分三種：  
 ① 普通包裝  
 ② 條碼包裝  
 ③ 吊卡包裝  
 ④ 真空盒包裝

以上包裝依據定單包裝要求選擇  
 真空盒包裝繞線規格：  
 長：210MM(MAX)  
 寬：75MM(MAX)  
 厚：40MM(MAX)

PIN ASSIGNMENT  $\Delta$

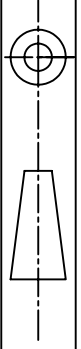
P1	1	2	3	4	5	6	7	8	9	S
	1	2	3	4	5	6	7	8	9	S

1	BLACK
2	BROWN
3	RED
4	ORANGE
5	YELLOW
6	GREEN
7	BLUE
8	PURPLE
9	GREY
S	DRAIN

ND	DESCRIPTION	QTY	UNIT
1	1201809502002X	1.83	M
2	100-0910110010N-C	1	PCS
3	100-0920110010-C	1	PCS
4	2300220000014	0.5	G
5	1200220000001	7.0	G
6	1200100000006	38	G
7	240010100034	4	PCS

OUTER MOLDING	IDB9-1504
INNER MOLDING	

**Micro Connectors, Inc.**



DRAW. BY: HALL	SCALE: NONE	DATE: 99/05/03
CHECK. BY:	CUSTOMER: C337	PAGE: 1/3
APP. BY:	CUSTOMER P/N:	
ALL DIMENSIONS IN mm		

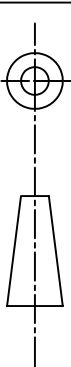
REV	DESC	DATE	APP
D		05/11/29	A0511475
F		2009.08.27	N20908197
G		2010.07.30	N21007241
H		2010.11.30	N21011225

MI09093000003A	普通包裝	390	CARTON:46*30*25CM	1/150	PCS
		390	PE BAG:30*28*0.08MM	1/150	PCS
		390	PE BAG:7*10*0.06MM	1	PCS
		390	TIE-A/BE02	100*1	MM
MI09093000003B	條碼包裝	390	CARTON:46*30*25CM	1/150	PCS
		390	PE BAG:30*28*0.08MM	1/150	PCS
		390	PE BAG:7*10*0.06MM	1	PCS
		390	PRINT BAR CODE AND P/N (M05-101)	1	PCS
MI09093000003C	吊卡包裝	390	TIE-A/BE02	100*1	MM
		390	CARTON:46*30*25CM	1/150	PCS
		390	PE BAG:30*28*0.08MM	1/150	PCS
		390	PE BAG:7*12*0.06MM	1	PCS
		390	TIE-A/BE02	100*1	MM
		390	STAPLE:LARGE SIZE	2	PCS
		390	HANG-TAG:M05-101	1	PCS
		220030000361	TIE-A/BE02	100*1	MM
		3200220000321	隔板:61*49*0.3CM	3/46	PCS
		310000000779	CARTON:62*50*22CM<<4B4K>		1/46
320080000307	真空盒:PK-G-300-B1<插卡式>		1	PCS	
330060000851	紙卡:320*95MM "VIDEO"(紫色)#2		1	PCS	
320120000032	棉紙:350*150MM		1/2	PCS	
340060003089	料號貼紙:70*24(如圖所示)		1	PCS	
340050000001	訂書針		1	PCS	

NOTE:

注意:此款客戶指定用#2真空盒包裝;

ROHS COMPLIANT



ITEM: M05-101

REV: H

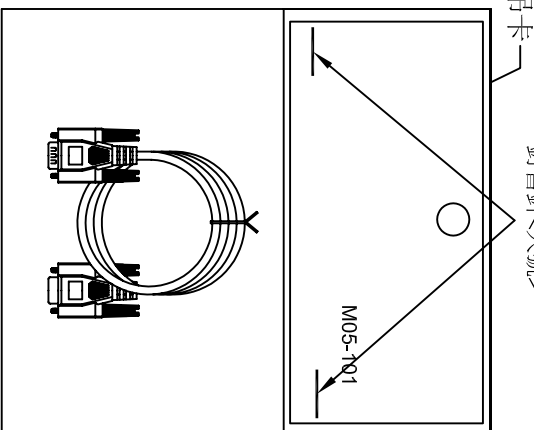
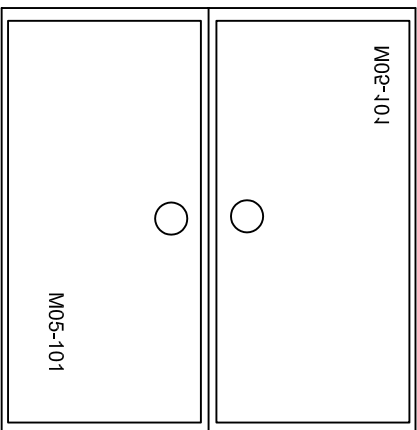
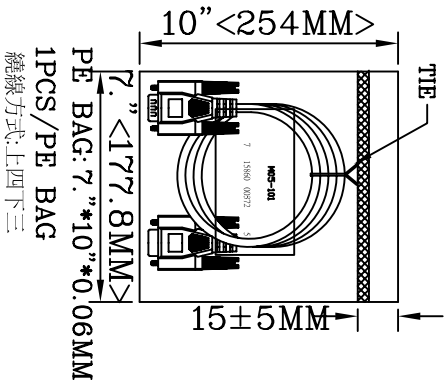
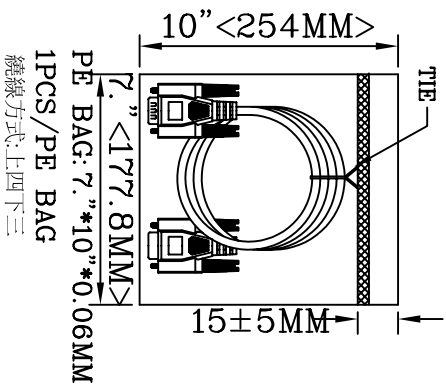
DRAWN BY:HMILY	SCALE: NDT	DATE: 2005/11/01
CHECKED BY:JOHN	CUSTOMER: C337	PAGE: 2/3
APPROVED BY:	CUSTOMER P/N:	

ALL DIMENSIONS IN mm

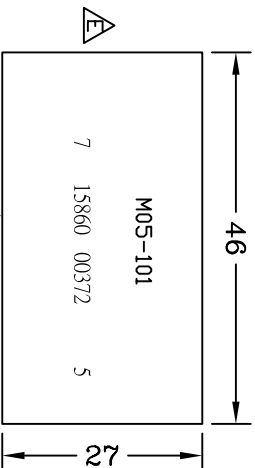


Micro Connectors, Inc.

REV	DESC	DATE	APP
D		05/11/29	A0511475
F		2009.08.27	N20908197
G		2010.07.30	N21007241



PE BAG: 7" \* 12" \* 0.06MM  
1PCS / PE BAG

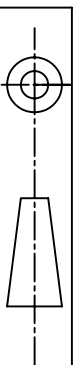


印於PE袋



貼紙卡正面小方框中

ROHS COMPLIANT



ITEM: M05-101

REV: H

DRAWN, BY: HMILY

SCALE: NDT

DATE: 2005/11/01

CHECKED, BY: JOHN

CUSTOMER: C337

PAGE: 3/3

APPROVED, BY:

CUSTOMER P/N:

ALL DIMENSIONS IN mm

Micro Connectors, Inc.