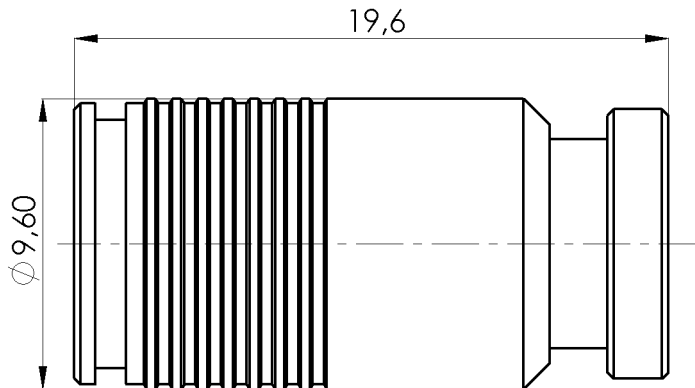




DRAWING



General tolerances : ± 0.5 mm

R. F. CHARACTERISTICS

FREQUENCY RANGE	: 0 – 2.5 GHz
IMPEDANCE	: 50 Ω
DC RESISTANCE	: 50 Ω ± 5%
AVERAGE POWER HANDLING at 25°	: 1 W
PEAK POWER HANDLING(1μs , 1%) at 25° C	: 100 W
V.S.W.R.	: ≤ 1.15

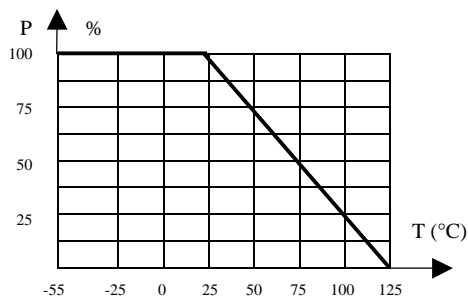
MECHANICAL CHARACTERISTICS

CONNECTORS	: 1.0-2.3 male per DIN 47297
WEIGHT	: ≤ 8 g

ENVIRONNEMENTAL CHARACTERISTICS

OPERATING TEMPERATURE RANGE (°C)	: - 55 ; + 125
STORAGE TEMPERATURE RANGE (°C)	: - 55 ; + 125

Power derating
Versus temperature



CREATION					RADIALL
N°: H990400190					101, rue P. Hoffmann
PEN/EP : 99179					93116 ROSNY/BOIS
Name:M.G.					France
Date:23.Oct.00	20.Jun.01	New drawing	MG	AF	Tel : (33) 0149353535
Appr.: AF.	Issue	Revisions	Name	Appr.	Fax : (33) 0148546363