

THIS DRAWING IS UNPUBLISHED. RELEASED FOR PUBLICATION JUNE ,2006.

© COPYRIGHT 2006 BY TYCO ELECTRONICS CORPORATION. ALL RIGHTS RESERVED.

LOC	DIST	REVISIONS					
E	B	P	LTR	DESCRIPTION	DATE	DWN	APVD
		B		ECR-06-015596	28JUN06	JMS	FWK

NOTES:

- ① PACK IN ACCORDANCE WITH AMP SPEC 107-3275
- ② 100 TRAY PACK IN ACCORDANCE WITH AMP SPEC 107-3275
- ③ Ag PLATING
- ④ Ni PLATING
- ⑤ THIS ITEM MUST BE WHITE

- 6 HAND TOOL : 9-1478240-0
- 7 DIE SET : 9-1478245-0

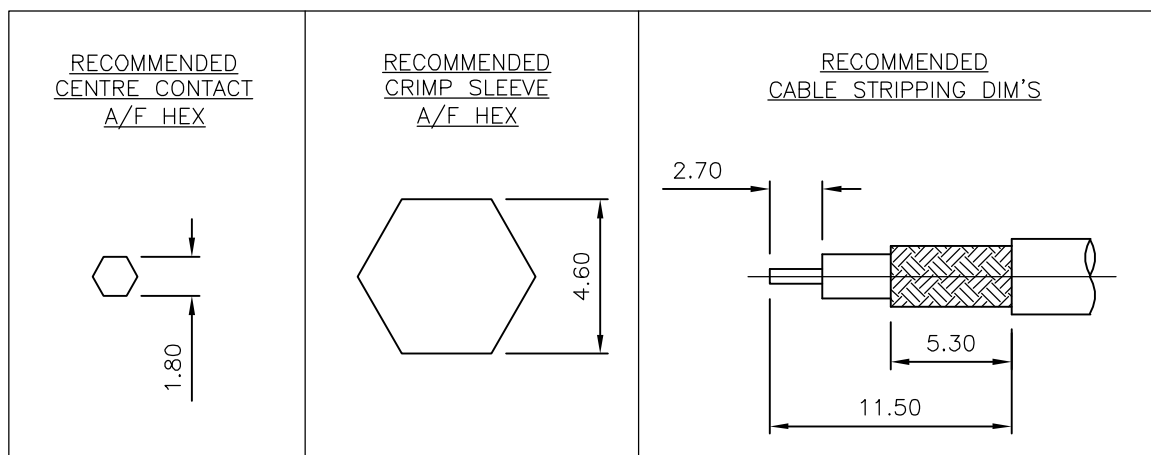
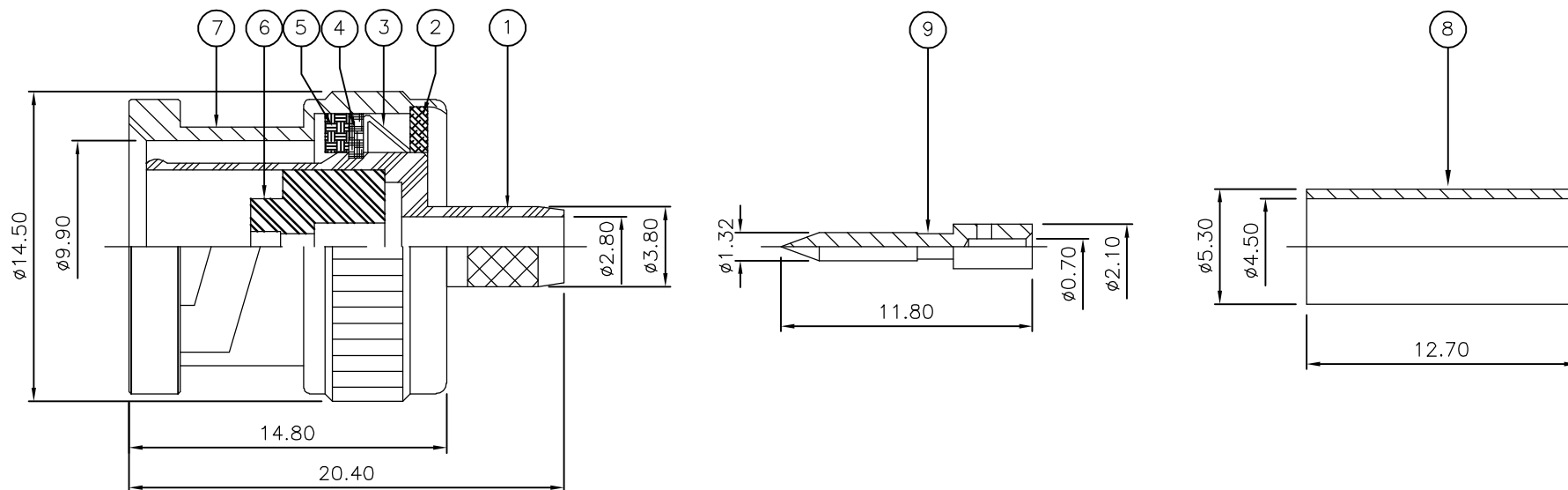
- 8 ELECTRICAL CHARACTERISTICS
 - FREQUENCY RANGE: DC - 2 GHz
 - NOMINAL IMPEDANCE: 75 Ohm
 - INSULATION RESISTANCE: 5000 MOhm
 - WORKING VOLTAGE: 500 Volts RMS at Sea Level
 - DIELECTRIC WITHSTAND VOLTAGE: 1500 Volts RMS Max
 - CONTACT RESISTANCE:
 - CENTRE CONTACT: 1.50 mOhm Max
 - OUTER CONTACT: 0.20 mOhm Max
 - VSWR @ 2GHz: 1.20:1 Max
 - INSERTION LOSS dB @ x 2 GHz: 0.20 Max

- 9 MECHANICAL CHARACTERISTICS
 - COUPLING RETENTION FORCE: 445N Min
 - CABLE RETENTION FORCE: 85N Min
 - DURABILITY: 500 Cycles Min

- 10 ENVIRONMENTAL CHARACTERISTICS
 - OPERATING TEMPERATURE: -65 to +165 DegC

- 11 FOR TECHNICAL DATA REFER TO YOUR LOCAL TYCO ELECTRONICS SALES OFFICE

- 12 ALL DIMENSIONS ARE NOMINAL FOR REFERENCE ONLY UNLESS OTHERWISE STATED



QTY	QTY PER ASSY	MATERIAL	DESCRIPTION	ITEM
1	1	BRASS	CONTACT	9
1	1	BRASS	FERRULE	8
1	1	BRASS	SHELL	7
1	1	PTFE	INSULATION	6
1	1	SILICONE RUBBER	GASKET	5
1	1	BRASS	RETAINING RING	4
1	1	SPRING STEEL	SPRING	3
1	1	BRASS	WASHER	2
1	1	BRASS	BODY	1
6--0	1--0			

THIS DRAWING IS A CONTROLLED DOCUMENT.		DWN J.SANDWELL 28JUN06	Tyco Electronics Corporation Bideford EX39 4HE															
DIMENSIONS: mm		CHK S.PARLOW 28JUN06																
TOLERANCES UNLESS OTHERWISE SPECIFIED:		APVD F.WHEELER-KING 28JUN06	NAME BNC STRAIGHT PLUG CRIMP 75 OHM MINI-RG59															
<table border="1"> <tr><td>0 PLC</td><td>± -</td></tr> <tr><td>1 PLC</td><td>± -</td></tr> <tr><td>2 PLC</td><td>± -</td></tr> <tr><td>3 PLC</td><td>± -</td></tr> <tr><td>4 PLC</td><td>± -</td></tr> <tr><td>ANGLES</td><td>± -</td></tr> <tr><td>FINISH</td><td>± -</td></tr> </table>		0 PLC	± -	1 PLC	± -	2 PLC	± -	3 PLC	± -	4 PLC	± -	ANGLES	± -	FINISH	± -	PRODUCT SPEC -	RESTRICTED TO -	
0 PLC	± -																	
1 PLC	± -																	
2 PLC	± -																	
3 PLC	± -																	
4 PLC	± -																	
ANGLES	± -																	
FINISH	± -																	
MATERIAL SEE TABLE		APPLICATION SPEC 411-3247	SIZE A3	CAGE CODE 00779														
		WEIGHT -	DRAWING NO C-1478111															
		CUSTOMER DRAWING	SCALE NTS	SHEET 1 OF 1														
			REV B															