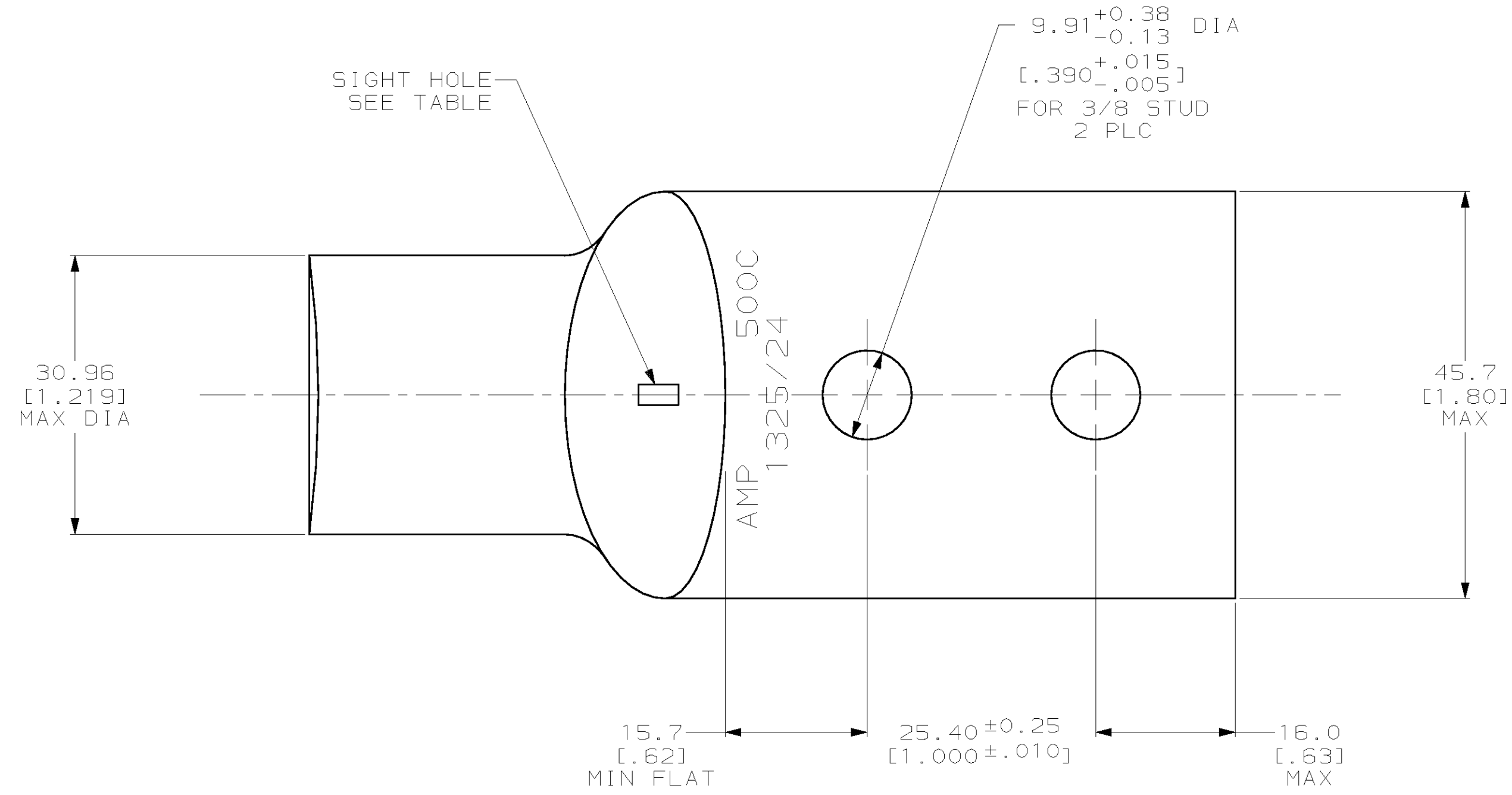
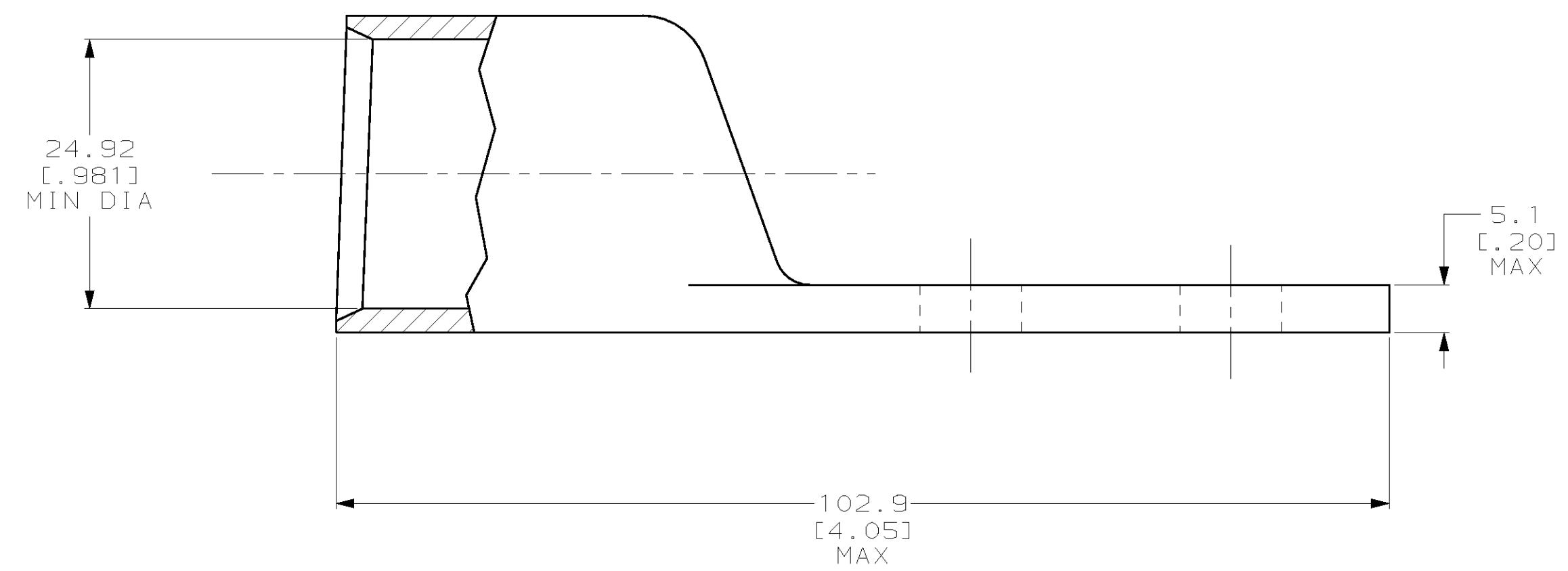


THIS DRAWING IS UNPUBLISHED. RELEASED FOR PUBLICATION
 (C) COPYRIGHT 19 BY AMP INCORPORATED. ALL RIGHTS RESERVED.

LOC	DIST	REVISIONS					
		P	LTR	DESCRIPTION	DATE	DWN	APVD
G	86	V		REV PER 0G3A-0561-01	090CT02	JR	MS



- 1 CIRCULAR MIL AREA RANGE: 450-550 MCM
- 2 COPPER PER ASTM B-75 ANNEALED
- 3 TIN PL 0.00381 [.000150] MIN THK PER ASTM B-545



NONE	326808-3
REQD	326808
SIGHT HOLE	AMP PART NUMBER

THIS DRAWING IS A CONTROLLED DOCUMENT.		DWN DK SCHRUM 24SEP97	AMP Incorporated Harrisburg, PA 17105-3608	
DIMENSIONS: mm [INCHES]		CHK WJ VOCKROTH 25SEP97	NAME JL MECKLEY 25SEP97	
TOLERANCES UNLESS OTHERWISE SPECIFIED:		APVD JL MECKLEY 25SEP97	PRODUCT SPEC 108-30200	
0 PLC ±-		APPLICATION SPEC -		
1 PLC ±-		WEIGHT .401 lbs		
2 PLC ±0.51 [.020]		SIZE A2		
3 PLC ±-		CAGE CODE 00779		
4 PLC ±-		DRAWING NO 326808		
ANGLES ±-		RESTRICTED TO -		
MATERIAL - 2	FINISH - 3	SCALE 2:1		
CUSTOMER DRAWING		SHEET 1 OF 1		
		REV V		

326808