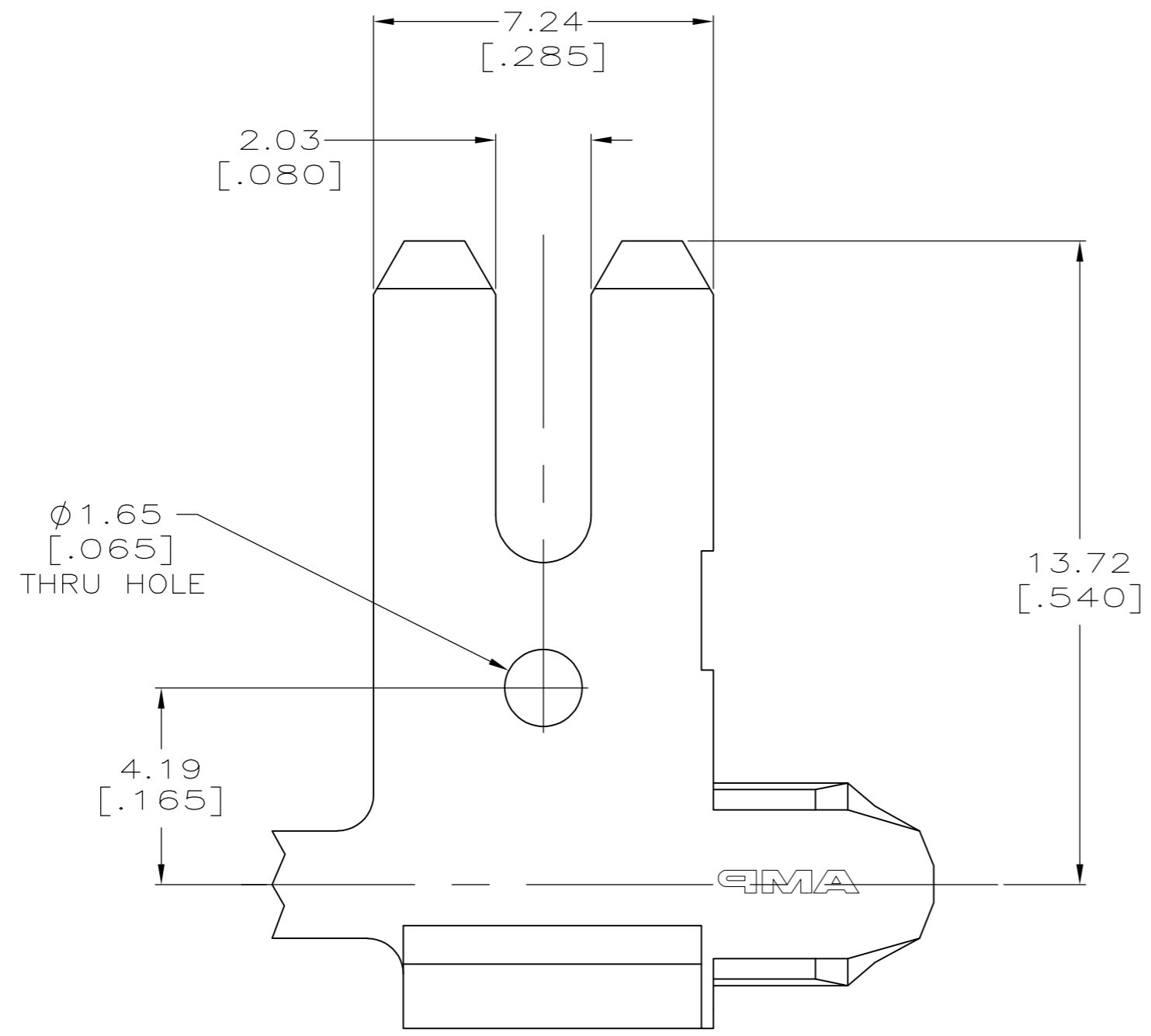
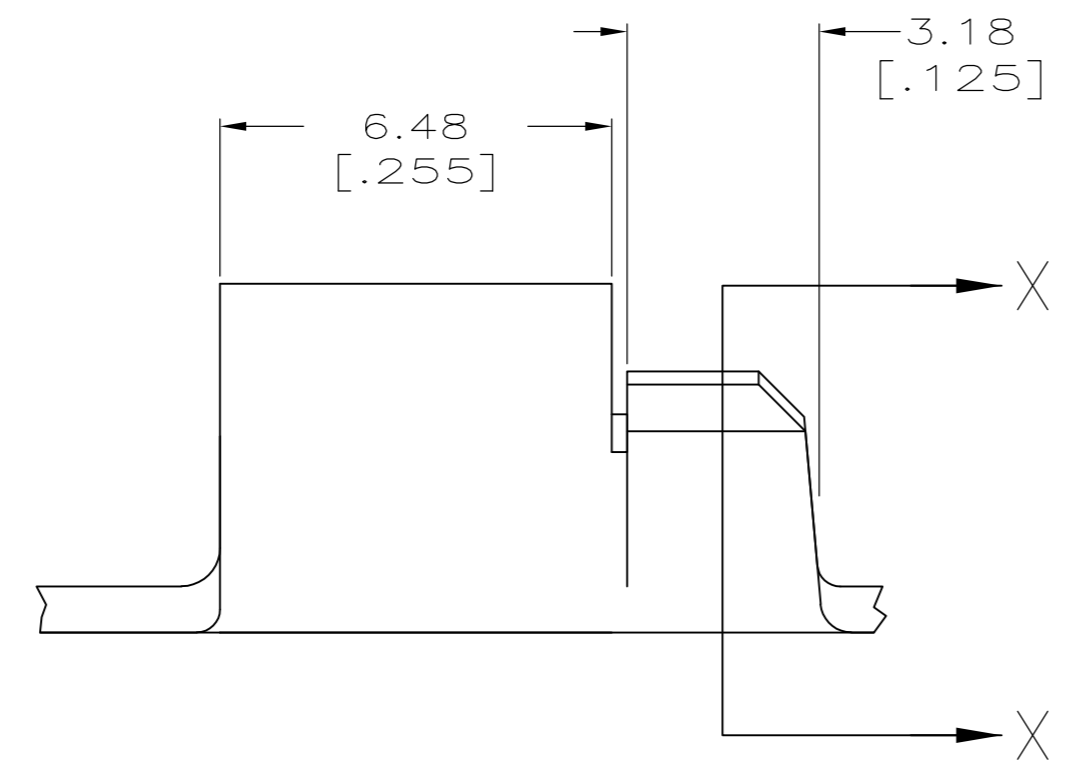
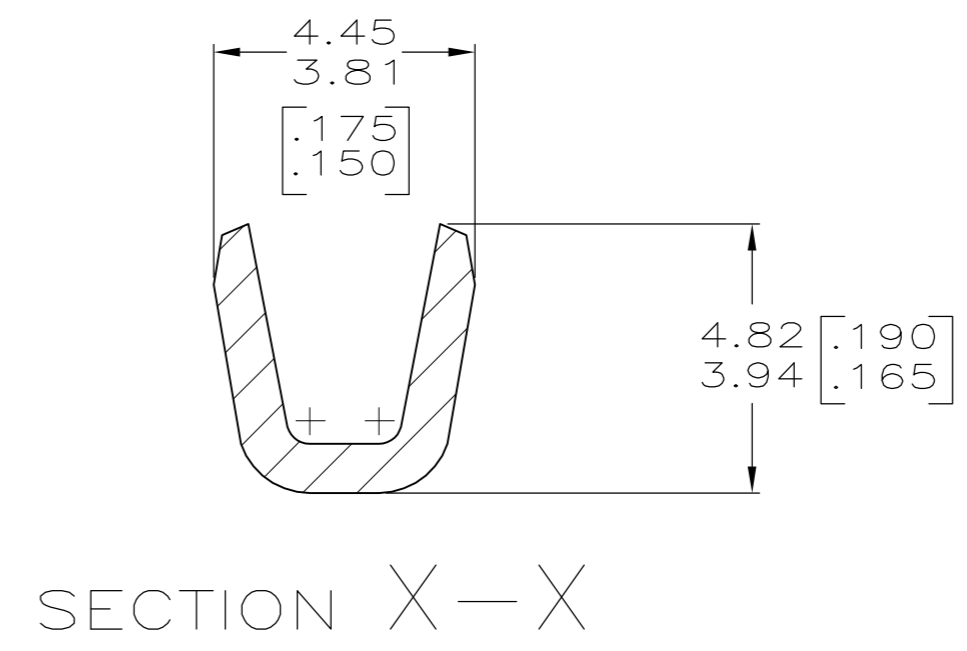


THIS DRAWING IS UNPUBLISHED. RELEASED FOR PUBLICATION
 © COPYRIGHT - By - ALL RIGHTS RESERVED.

LOC		DIST		REVISIONS			
AF	50	P	LTR	DESCRIPTION	DATE	DWN	APVD
		C1		ECR-13-016672	25OCT13	PKS	RRP



1 CONTINUOUS STRIP ON REELS.
 TIN PLATE



2.03-3.05 [.080-.120] DIA		0.8-2.0mm ² [#18-#14] AWG		1217324-1																																				
INSULATION RANGE		WIRE SIZE		PART NUMBER																																				
THIS DRAWING IS A CONTROLLED DOCUMENT.		DWN MICHAEL S. FEHER 07FEB2000 CHK KURT A. RANDOLPH 07FEB2000 APVD KURT A. RANDOLPH 07FEB2000		TE Connectivity																																				
DIMENSIONS: mm		TOLERANCES UNLESS OTHERWISE SPECIFIED:		NAME																																				
<table border="1"> <tr><td>0 PLC</td><td>±</td><td>-</td></tr> <tr><td>1 PLC</td><td>±</td><td>-</td></tr> <tr><td>2 PLC</td><td>±</td><td>0.25 [.010]</td></tr> <tr><td>3 PLC</td><td>±</td><td>-</td></tr> <tr><td>4 PLC</td><td>±</td><td>-</td></tr> <tr><td>ANGLES</td><td>±</td><td>-</td></tr> <tr><td>FINISH</td><td>-</td><td>2</td></tr> </table>		0 PLC	±	-	1 PLC	±	-	2 PLC	±	0.25 [.010]	3 PLC	±	-	4 PLC	±	-	ANGLES	±	-	FINISH	-	2	<table border="1"> <tr><td>PRODUCT SPEC</td><td>108-22045</td></tr> <tr><td>APPLICATION SPEC</td><td>114-2050</td></tr> <tr><td>WEIGHT</td><td>-</td></tr> </table>		PRODUCT SPEC	108-22045	APPLICATION SPEC	114-2050	WEIGHT	-	<table border="1"> <tr><td>SIZE</td><td>A2</td></tr> <tr><td>CAGE CODE</td><td>00779</td></tr> <tr><td>DRAWING NO</td><td>1217324</td></tr> <tr><td>RESTRICTED TO</td><td>-</td></tr> </table>		SIZE	A2	CAGE CODE	00779	DRAWING NO	1217324	RESTRICTED TO	-
0 PLC	±	-																																						
1 PLC	±	-																																						
2 PLC	±	0.25 [.010]																																						
3 PLC	±	-																																						
4 PLC	±	-																																						
ANGLES	±	-																																						
FINISH	-	2																																						
PRODUCT SPEC	108-22045																																							
APPLICATION SPEC	114-2050																																							
WEIGHT	-																																							
SIZE	A2																																							
CAGE CODE	00779																																							
DRAWING NO	1217324																																							
RESTRICTED TO	-																																							
MATERIAL BRASS		CUSTOMER DRAWING		SCALE 8:1 SHEET 1 OF 1 REV C1																																				

1217324