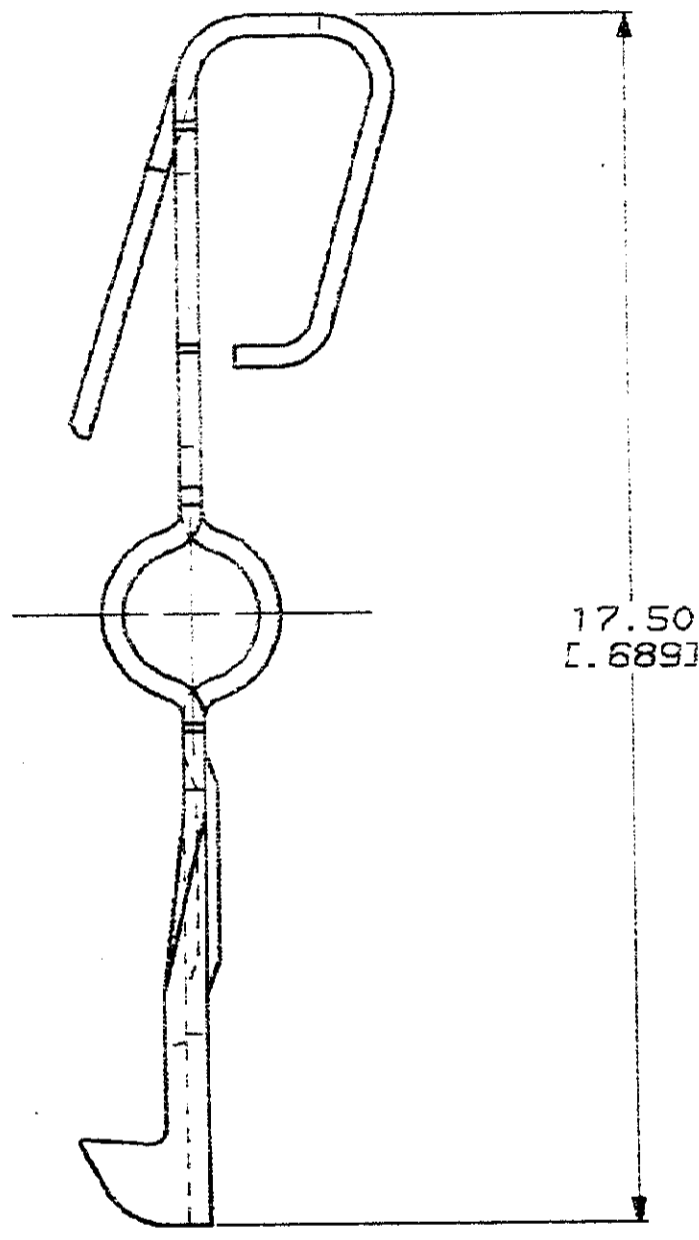
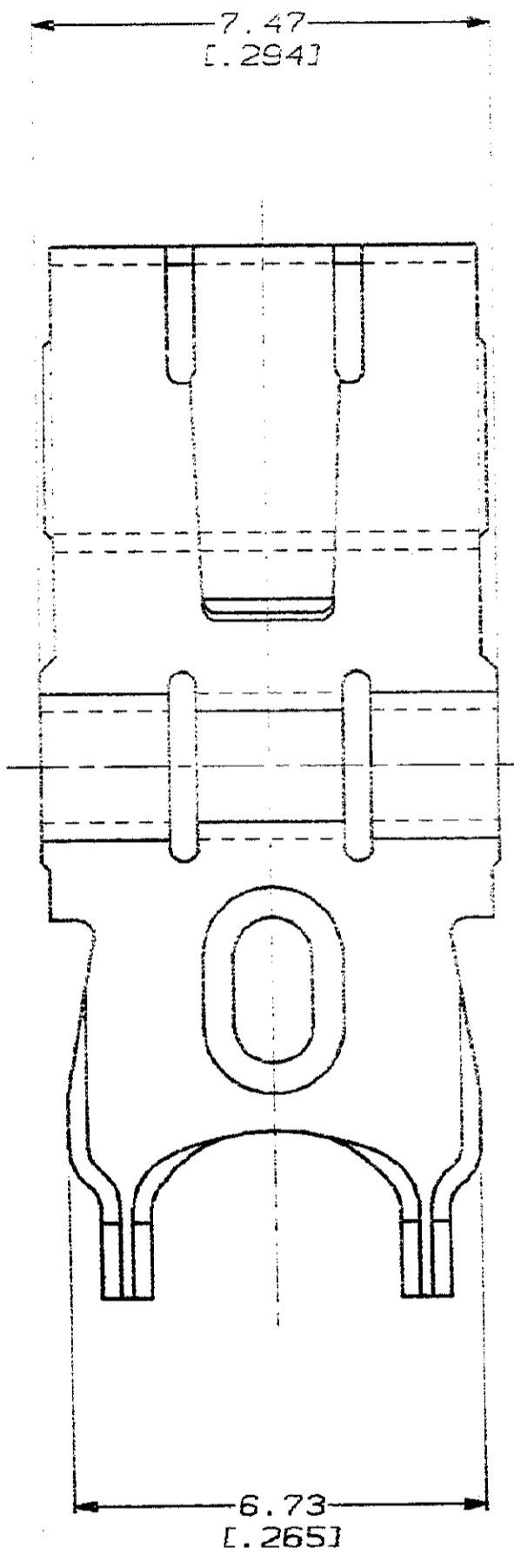


DRAWING MADE IN THIRD ANGLE PROJECTION

THIS DRAWING IS UNPUBLISHED. RELEASED FOR PUBLICATION .19  
 © COPYRIGHT 19 BY AMP INCORPORATED. ALL INTERNATIONAL RIGHTS RESERVED.

NO		LOC		DIST		ZONE		LTR		REVISIONS	
NO	LOC	DIST	ZONE	LTR	DESCRIPTION	DATE	APPD				
8	BD	39			0 RELEASED	12/04/90					



749122-1

PART NO

DO NOT SCALE PRINT. UNLESS SPECIFIED DIMENSIONS IN mm [INCHES] TOLERANCES ON: 2 PLC DEC ± 0.51 [.020] 3 PLC DEC ± - ANGLES ± -	DR 12/04/90 B. MOYER	<b>AMP</b> AMP Incorporated Harrisburg, PA 17105-3608
MATERIAL STAINLESS STEEL	CHK C. Baker 12-5-90 APPD Bob Taylor 12-5-90	
FINISH -	APPD J. Quinn 12-5-90 PRODUCT SPEC -	NAME LATCH SPRING, LP, AMPLIMITE .050 SERIES
	APPLICATION SPEC -	SIZE C CAGE CODE 00779 DRAWING NO 749122
	WEIGHT -	SCALE 10:1 SHEET 1 OF 1

CUSTOMER DRAWING