

LED Flood Light

Atlas Series



Atlas Series

Beyond LED's ATLAS Series Flood light is the newest design for 2020 and comes with adjustable CCT which makes this product very unique. This flood light is ideal to replace Halogen lamps and comes with U-Bracket and optional Knuckle and Yoke mounts. This flood light is an extremely cost-effective solution, great for illuminating yards, driveways, signage and security applications.

- Up to 125 Lumens per watt
- CCT Changeable 3000K, 4000K and 5000K by pressing a button
- Die-Cast aluminum housing
- Standard attached U-bracket with optional Yoke and Knuckle mount
- Heat resistant polycarbonate optical lens
- Universal 100-277Vac

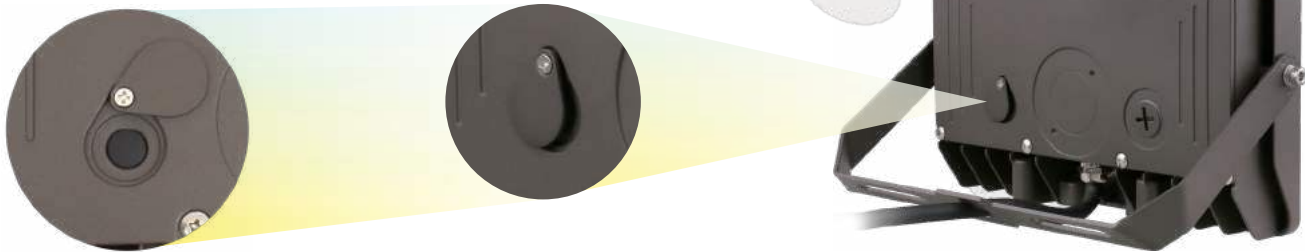
LED Flood Light

Atlas Series

Atlas Series (Adjustable CCT)

SKU #	Model #	Watts	Lumens	CCT	Type	Input Voltage	Certifications
151385	BLT-FL06-50WCH8A1-BRFMCA30/40/50	50W	7000Lm	3K/4K/5K	U-Bracket	100-277Vac	UL & DLC
151233	BLT-FL06-90WCH8A1-BRFMCA30/40/50	90W	12600Lm	3K/4K/5K	U-Bracket	100-277Vac	UL & DLC

Adjustable 3000K/4000K/5000K CCT Button



Mounting Options

U-Bracket Mount



CORRELATED COLOR TEMPERATURE (CCT)



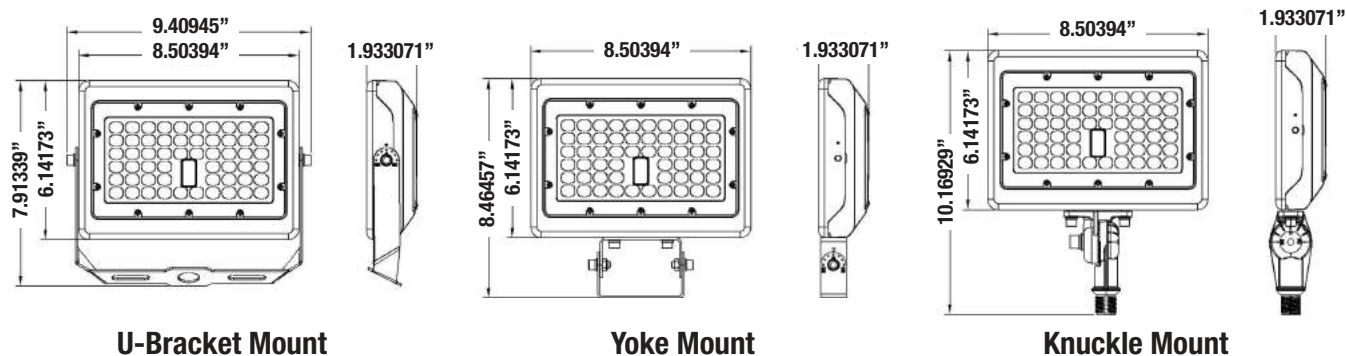
LED Flood Light

Atlas Series

Specifications - 50W

OPTICAL	Input Power	50W		
	Cover	LENS		
	Lumen	3000K	4000K	5000K
		5750-6500LM	6750-7500LM	6250-7000LM
	Viewing Angle	7H6V		
	Color Temperature	3000K/4000K/5000K		
CRI	>80			
ELECTRICAL	Input Voltage	100-277VAC 50/60Hz		
	PF	≥0.9		
	THD	≤20%		
	Driver Model	Beyond Brand Driver		
	Optional Accessory	Surge protector		
MATERIALS	LED Type	SMD3030 (1W)		
	LED Brand	Seoul		
	LED QTY	112PCS (56*2)		
	Housing	Aluminum Alloy		
	Housing Color	Bronze		
	Waterproof Rating	WET (IP65)		
OTHERS	Operating Temperature	-4°F to 122°F		
	Operating Humidity	10%-90% RH		
	Storage Temperature	-22°F to 176°F		
	Storage Humidity	10%-95% RH		
	Warranty Time	5 Years		

Dimensions



U-Bracket Mount

Yoke Mount

Knuckle Mount

LED Flood Light

Atlas Series

Distribution Diagram - 50W

Luminaire Property

Luminaire Manufacturer:
Voltage: 121.4 V
Power: 45.95 W

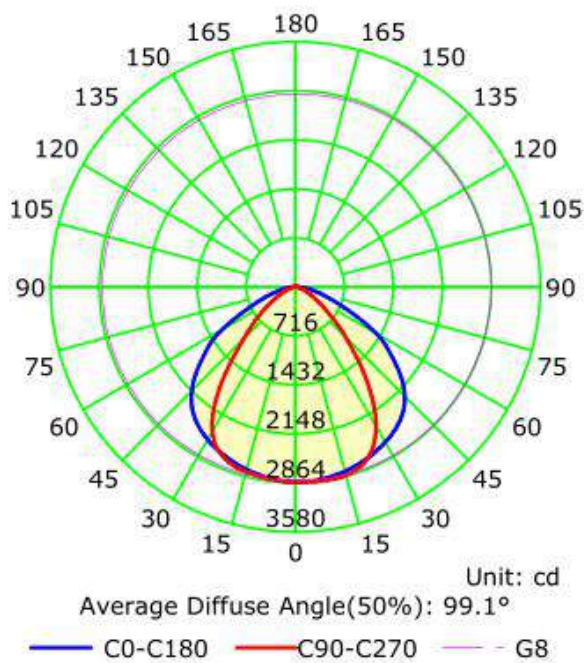
Current: 0.383 A
Power Factor: 0.987

Photometric Results

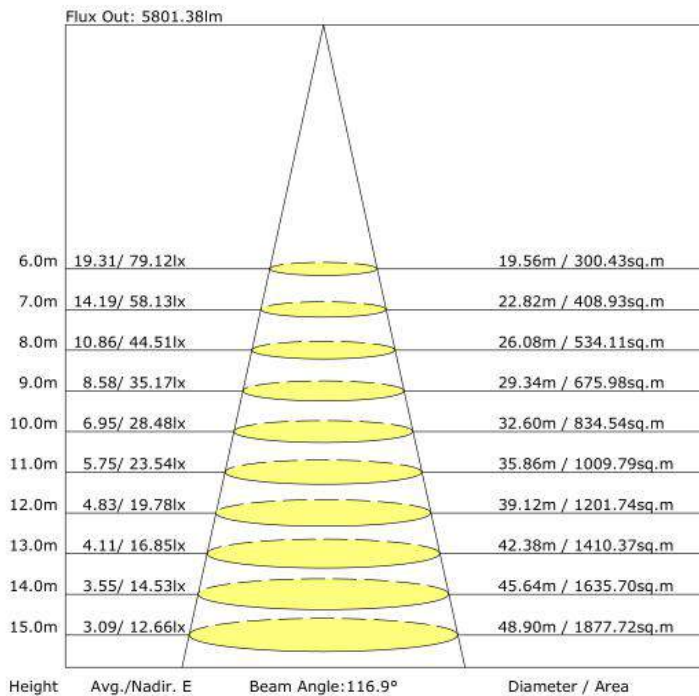
IES Classification: Type I
Total Rated Lamp Lumens: 6650.7 lm
Efficiency: 100%
Upward Ratio: 1%
Central Intensity: 2848.47 cd
Pos of Max. Intensity: H90 V8

Longitudinal Classification: Very Short
Measurement Flux: 6650.7 lm
Downward Ratio: 99%
Luminaire Efficacy Rating (LER): 144.79
Max. Intensity: 2864.77 cd

Luminous Intensity Distribution Curve



The Average Illuminance Effective Figure



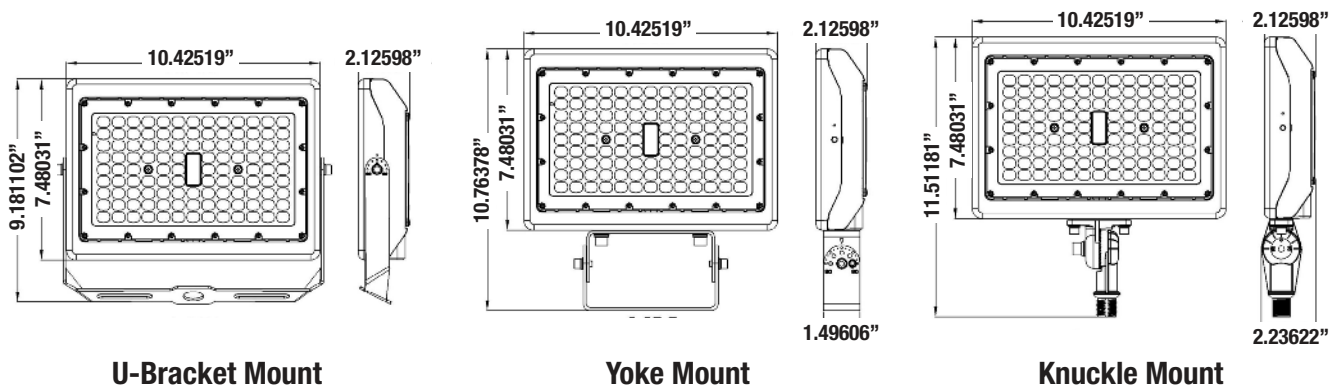
LED Flood Light

Atlas Series

Specifications - 90W

OPTICAL	Input Power	90W		
	Cover	LENS		
	Lumen	3000K	4000K	5000K
		10800-12150LM	12150-13500LM	11250-12600LM
	Viewing Angle	7H6V		
	Color Temperature	3000K/4000K/5000K		
CRI	>80			
ELECTRICAL	Input Voltage	120-277VAC 50/60Hz		
	PF	≥0.9		
	THD	≤20%		
	Driver Model	Beyond Brand Driver (1-10V DC Dimmer)		
	Optional Accessory	Photocell/Surge protector		
MATERIALS	LED Type	SMD3030 (1W)		
	LED Brand	Seoul		
	LED QTY	224PCS (112*2)		
	Housing	Bronze		
	Housing Color	Any Colors		
	Waterproof Rating	WET (IP65)		
OTHERS	Operating Temperature	-40°F to 122°F		
	Operating Humidity	10%-90% RH		
	Storage Temperature	-40°F to 176°F		
	Storage Humidity	10%-95% RH		
	Warranty Time	5 Years		

Dimensions



U-Bracket Mount

Yoke Mount

Knuckle Mount

LED Flood Light

Atlas Series

Distribution Diagram - 90W

Luminaire Property

Luminaire Manufacturer:
Voltage: 120.0 V
Power: 87.56 W

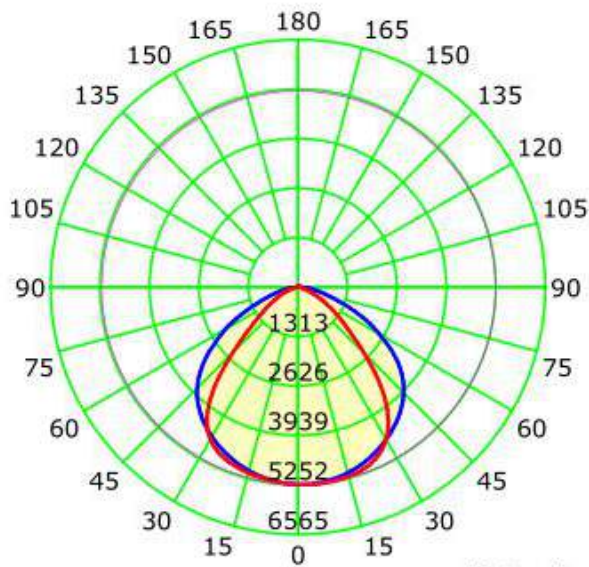
Current: 0.733 A
Power Factor: 0.995

Photometric Results

IES Classification: Type I
Total Rated Lamp Lumens: 12919.8 lm
Efficiency: 100%
Upward Ratio: 1%
Central Intensity: 5238.97 cd
Pos of Max. Intensity: H67.5 V5

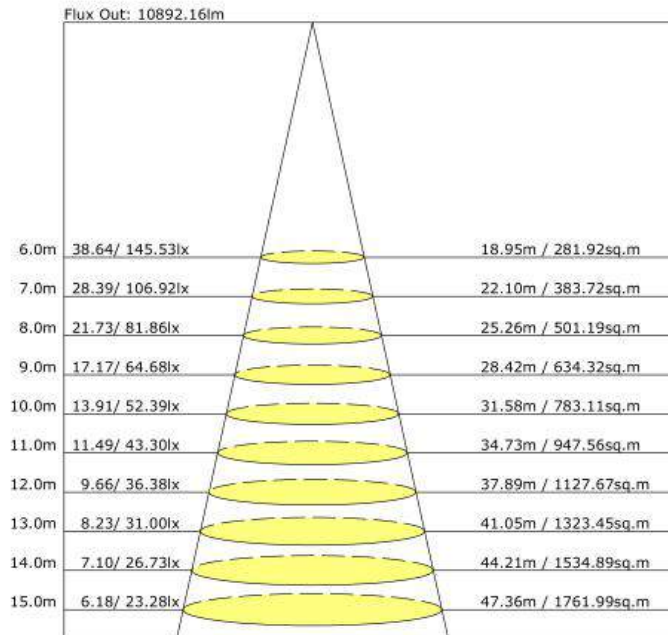
Longitudinal Classification: Very Short
Measurement Flux: 12919.8 lm
Downward Ratio: 99%
Luminaire Efficacy Rating (LER): 147.60
Max. Intensity: 5252.57 cd

Luminous Intensity Distribution Curve



Average Diffuse Angle(50%): 101.8°
Unit: cd

The Average Illuminance Effective Figure



LED Flood Light

Atlas Series

50W



LED Flood Light

Atlas Series

90W



LED FLOOD LIGHT

LED Flood Light

Atlas Series

Packaging

U-Bracket Mount



Optional
Yoke Mount
SKU:
151234

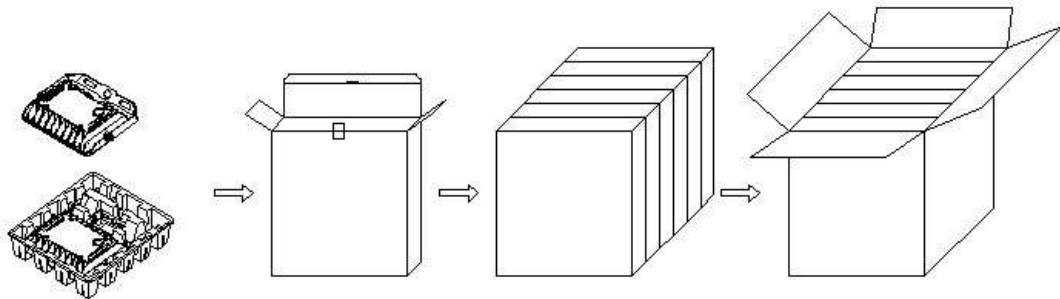


Optional
Knuckle
Mount
SKU:
151387



Tolerance of Carton Size: ± 0.590551 in, Tolerance of Weight: $\pm 10\%$.

Model	Pcs/Box	Dimensions	Weight	Pallet Quantity	Pallet Weight	Pallet Dimensions
50W U-Bracket Mount	1	13" X 11" X 3"	4 Lb			
50W Yoke Mount	1	13" X 11" X 3"	4 Lb			
50W Knuckle Mount	1	13" X 11" X 3"	4 Lb			
90W U-Bracket Mount	1	14" X 13" X 3"	6 Lb			
90W Yoke Mount	1	14" X 13" X 3"	7 Lb			
90W Knuckle Mount	1	14" X 13" X 3"	6 Lb			



LED Flood Light

Atlas Series

Application



User Notice

- Please turn off the power before installing or changing assembly parts.
- The input voltage and lamps should be matching. Before connecting the power line, please make sure the wiring section is insulated.
- Only professionals should install and disassemble the lamps.

Trouble Shooting

- Flickering light - Turn off the power and turn on again in 3 minutes. If the same phenomena occurs, then call Support.
- Not working - Please check all power connections.

(866) 786-1117 • www.BeyondLEDTechnology.com

Due to continuous product improvement, information in this document is subject to change.