

4

3

2

1

THIS DRAWING IS UNPUBLISHED

RELEASED FOR PUBLICATION

-, 2018.

© COPYRIGHT - 2017 by TE Connectivity Germany GmbH

ALL RIGHTS RESERVED.

REVISIONS

P	LTR	DESCRIPTION	DATE	DWN	APVD
	A1	REVISED PER ECR-19-000980	24JAN2019	SR	JDB

Material:

COVER: LCP, black, UL-94-V0

HEADER: Black WH-9100, UL-94-V0

LEAD FRAME: C5191-HV170-190 °

SOLDER PIN PLATING: 7 μm (275 μinch) TIN 1.27 μm (50 μinch) NICKEL OVER ALL

2 THE PART IS RECOMMENDED FOR REFLOW SOLDERING PROCESS PEAK

SOLDERING: TEMPERATURE MAX. +260 °C/-5 °C, MAX. 30s

3 OPERATING TEMPERATURE: T= -40 °C TO +105 °C

4 STORAGE TEMPERATURE: T= -40 °C TO +85 °C

5 MEET IEEE 802.3ab REQUIREMENT

6 UNLESS OTHERWISE SPECIFIED, SEE TABLE FOR ALL DIMENSIONS TOLERANCES

7 PACKAGING: TUBE ACCORDING TO PACKAGING SPECIFICATION 107-18128

SUGGESTED PCB LAYOUT

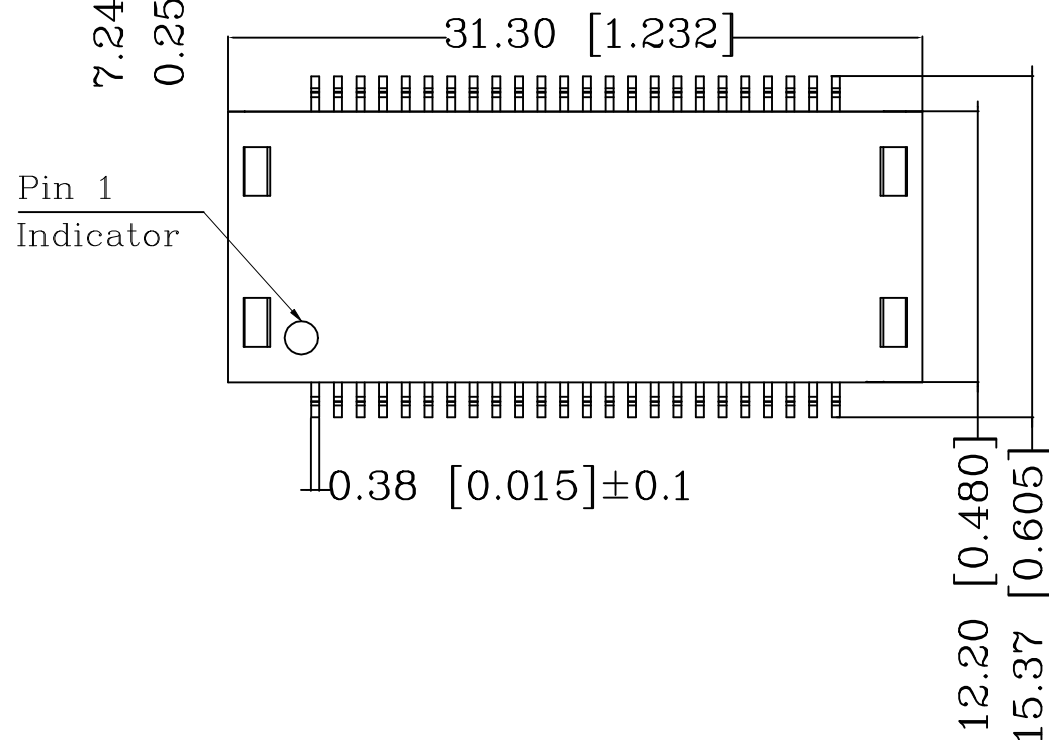
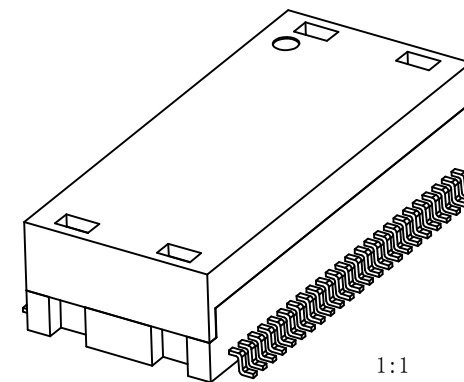
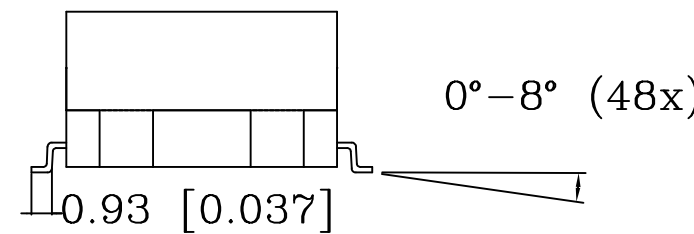
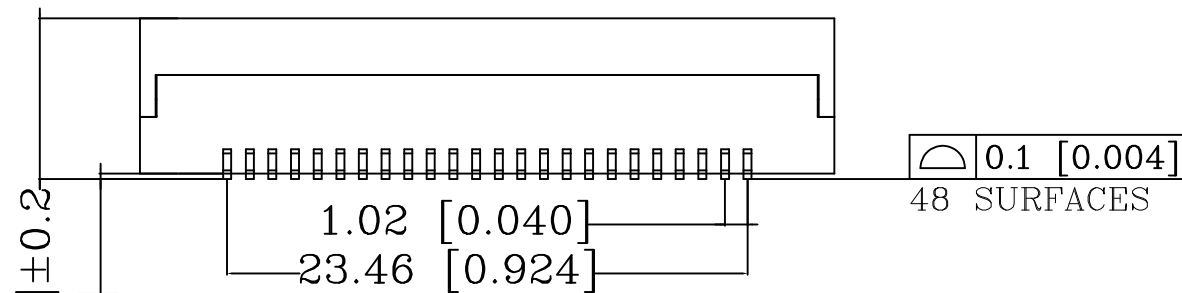
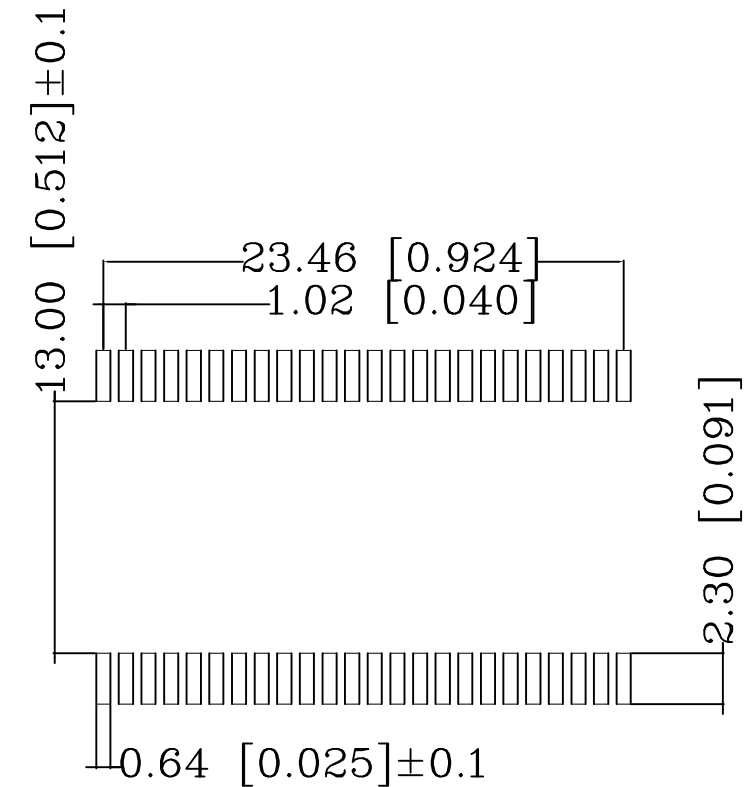


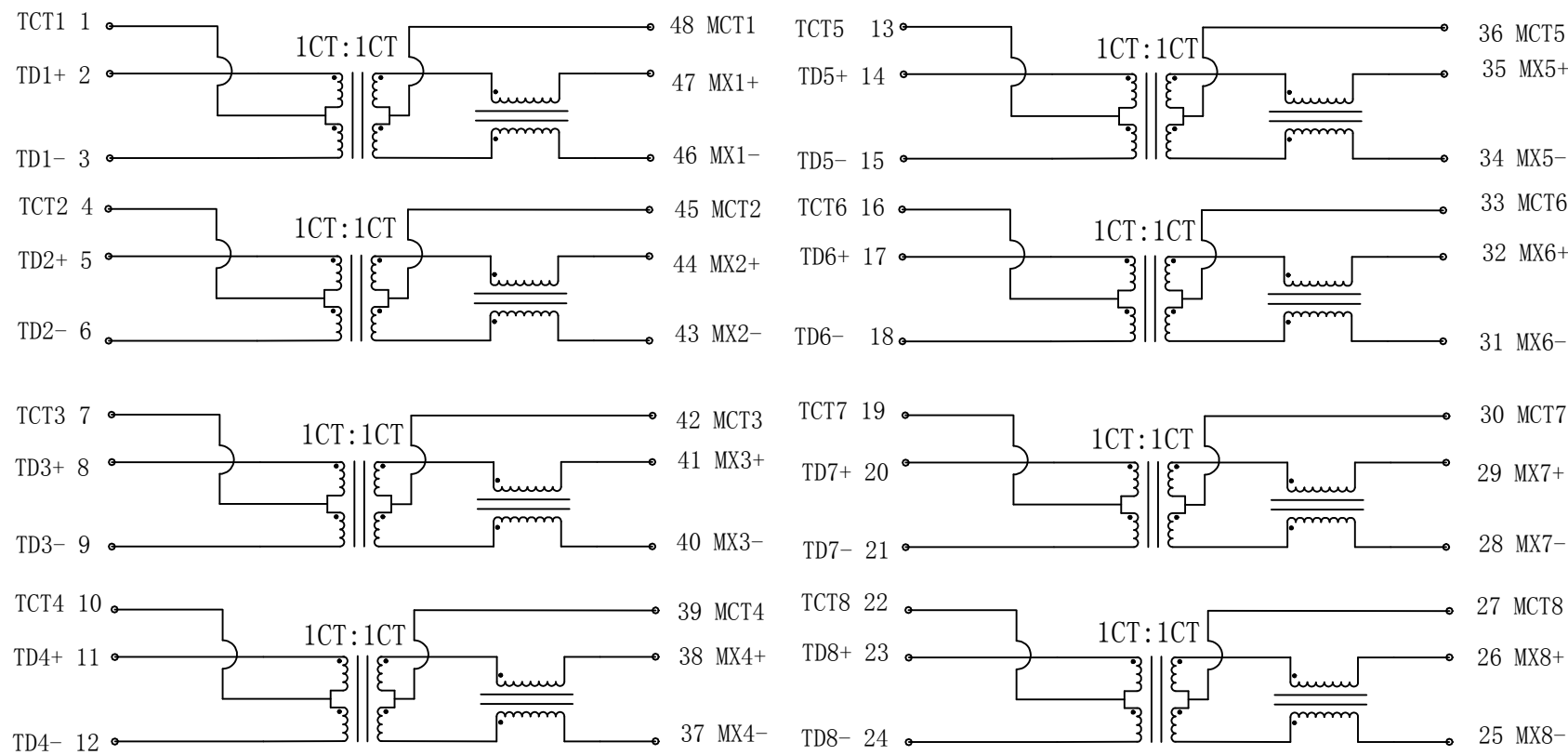
TABLE OF TOLERANCE (mm)	
RANGE	TOLERANCE
0-10	±0.15
>10-40	±0.25
>40-70	±0.30
>70	±0.40

THIS DRAWING IS A CONTROLLED DOCUMENT.		DWN	18JAN2019		 TE Connectivity															
		CHK	18JAN2019																	
		APVD	18JAN2019																	
		NAME																		
DIMENSIONS: mm [INCHES]		TOLERANCES UNLESS OTHERWISE SPECIFIED:		PRODUCT SPEC																
		<table border="0"> <tr><td>0 PLC</td><td>± -</td><td rowspan="5">6</td></tr> <tr><td>1 PLC</td><td>± -</td></tr> <tr><td>2 PLC</td><td>± -</td></tr> <tr><td>3 PLC</td><td>± -</td></tr> <tr><td>4 PLC</td><td>± -</td></tr> <tr><td>ANGLES</td><td>± -</td><td></td></tr> </table>		0 PLC	± -	6	1 PLC	± -	2 PLC	± -	3 PLC	± -	4 PLC	± -	ANGLES	± -		108-94693		APPLICATION SPEC
0 PLC	± -	6																		
1 PLC	± -																			
2 PLC	± -																			
3 PLC	± -																			
4 PLC	± -																			
ANGLES	± -																			
MATERIAL		FINISH		114-94555																
1		1		114-94555																
		WEIGHT		SIZE																
		CUSTOMER DRAWING		A3 00779																
		SCALE		DRAWING NO																
		3:1		C=5-2337824-2																
		SHEET		RESTRICTED TO																
		1 of 2		-																
		REV		A1																

REVISIONS

P	LTR	DESCRIPTION	DATE	DWN	APVD
-	-	SEE SHEET 1	-	-	-

CIRCUIT DIAGRAM



Electrical Specifications @ 25 °C  
(Unless other specified meet IEEE 802.3 Specification)

Turn Ratio	1CT:1CT ±2%	
Inductance (OCL) @100kHz/0.1V with 8mA DC Bias	350 µH min.	
Insertion Loss	0.1-100MHz	-1 dB max.
	1-30MHz	-18 dB min.
Return Loss (Zout = 100 OHMS)	40MHz	-14.4 dB min.
	50MHz	-13.1 dB min.
	80MHz	-12 dB min.
	100MHz	-10 dB min.
Crosstalk	30MHz	-40 dB min.
	60MHz	-35 dB min.
	100MHz	-30 dB min.
DCMR	30MHz	-40 dB min.
	60MHz	-35 dB min.
	100MHz	-30 dB min.
Isolation Voltage (Input - Output)	1500 Vrms	



CONTROL CODE  
DATE CODE  
"0213"  
YY-YEAR  
WW-WEEK

THIS DRAWING IS A CONTROLLED DOCUMENT.

DIMENSIONS: mm [INCHES]	TOLERANCES UNLESS OTHERWISE SPECIFIED:
	0 PLC ± - 1 PLC ± - 2 PLC ± - 3 PLC ± - 4 PLC ± - ANGLES ± -
MATERIAL	FINISH

DWN	18JAN2019
CHK	18JAN2019
APVD	18JAN2019
GANESH C M A.C. NGOUMGANG J. DE BRUIJN	
PRODUCT SPEC	108-94693
APPLICATION SPEC	114-94555
WEIGHT	
CUSTOMER DRAWING	



NAME				DISCR.ETH.MAG. 1G DUAL SMT	
SIZE	CAGE CODE	DRAWING NO	RESTRICTED TO		
A3	00779	5-2337824-2	-		
SCALE		SHEET	REV		
3:1		2 of 2	A1		