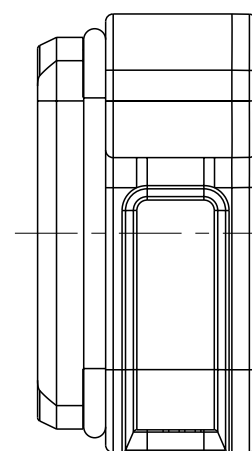
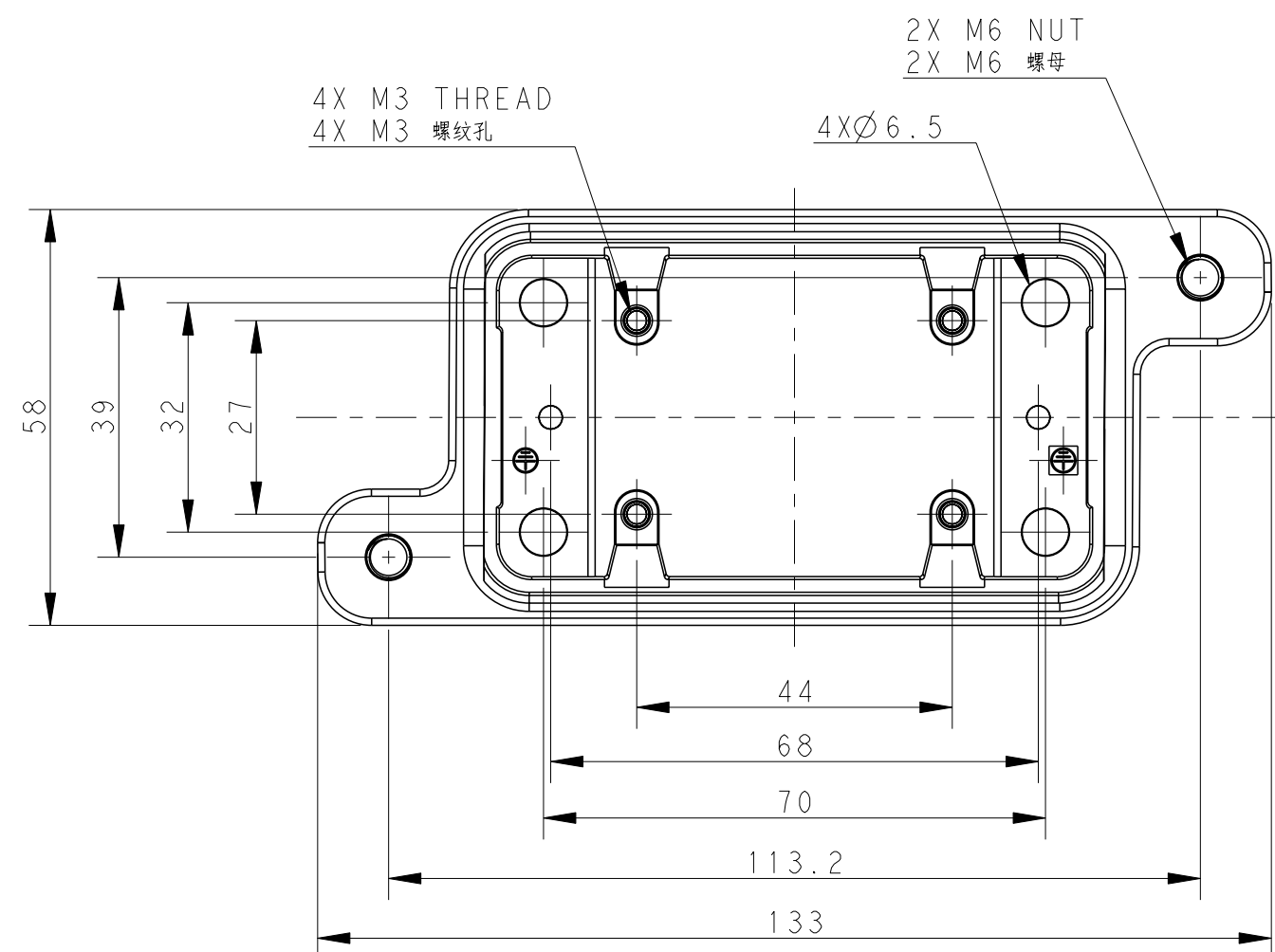


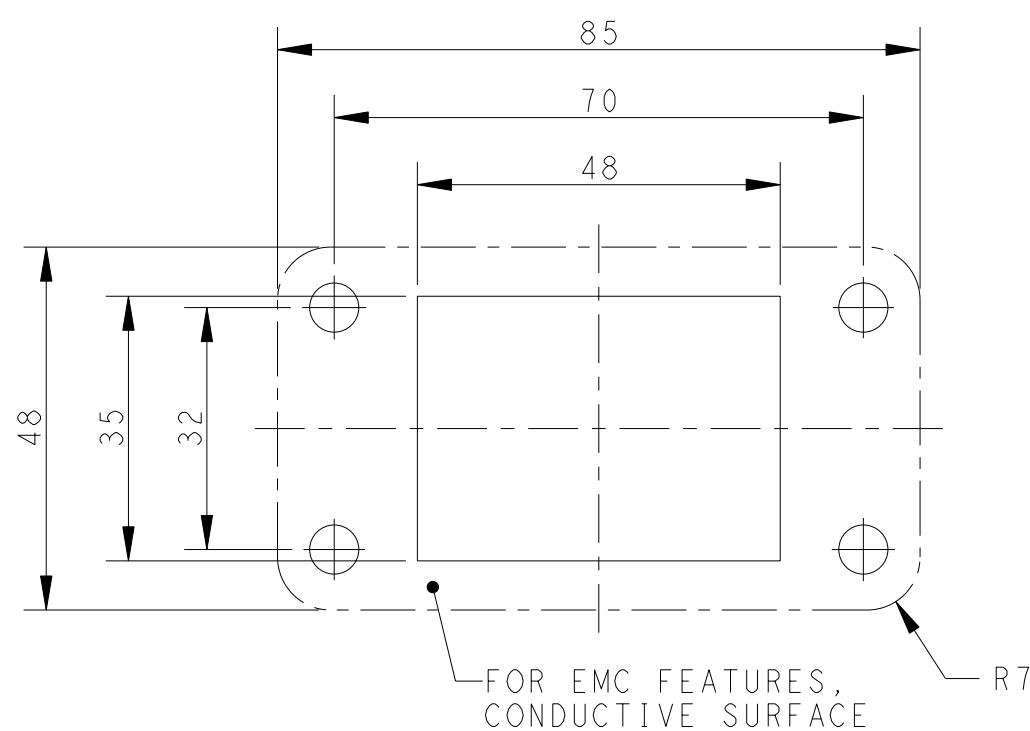
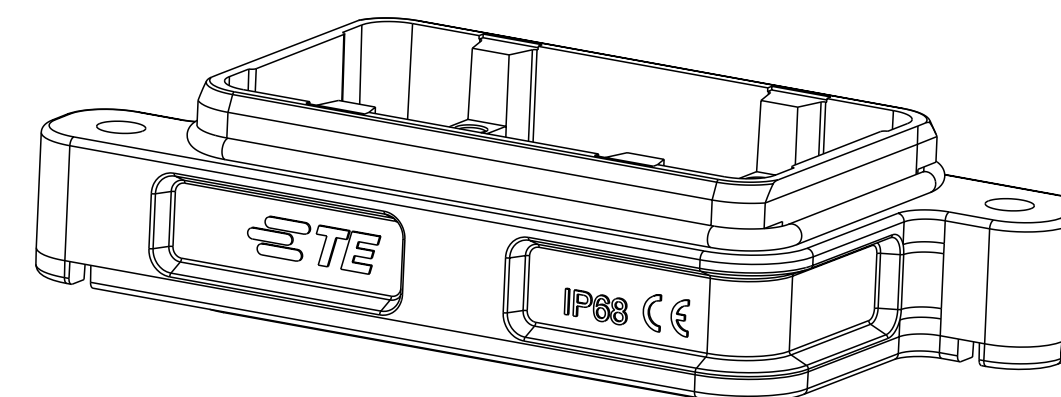
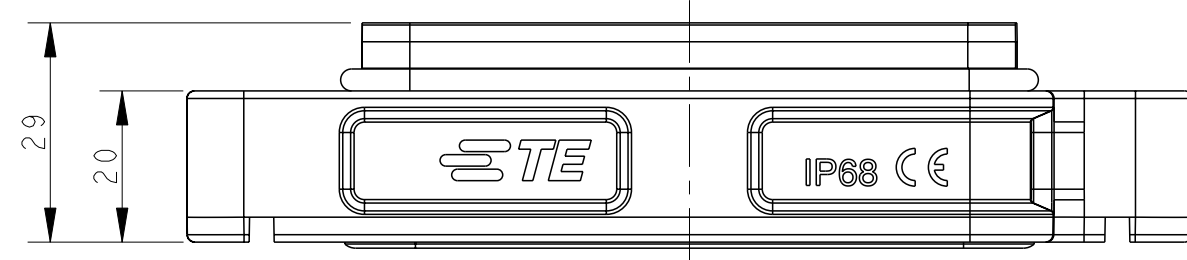
THIS DRAWING IS UNPUBLISHED. RELEASED FOR PUBLICATION 20  
 © COPYRIGHT 20 BY - ALL RIGHTS RESERVED.

REVISIONS					
P	LTR	DESCRIPTION	DATE	DWN	APVD
A		INITIAL RELEASE	24SEP2016	DW	CW
B		ECR-20-016312	03JUN2021	BS	CW



NOTES:  
 1. TECHNICAL CHARACTERISTICS:  
 HOUSING MATERIAL: DIE CAST ALUMINIUM ALLOY  
 SURFACE: SEE TABLE  
 DEGREE OF PROTECTION: IP68 (MATED)

注释  
 1. 技术参数:  
 壳体材料: 铝合金  
 表面处理: 见表格  
 防护等级: IP68 (配合)



Panel Cut Out Dimension, Only for Reference  
 面板开口尺寸, 仅供参考

T1930062000-009	H6BPR-AG-EMC-C	H6BPR HOUSING, DIAGONAL LOCKING, BULKHEAD MOUNTED, POWDER COATED, GREY H6BPR 对角锁定开孔下壳 灰色
T1930061000-009	H6BPR-AG-EMC-C	H6BPR HOUSING, DIAGONAL LOCKING, BULKHEAD MOUNTED, POWDER COATED, SILVER WHITE H6BPR 对角锁定开孔下壳 银白色
T1930060000-009	H6BPR-AG-EMC-C	H6BPR HOUSING, DIAGONAL LOCKING, BULKHEAD MOUNTED, POWDER COATED, BLACK H6BPR 对角锁定开孔下壳 黑色

PART NUMBER 料号		PART DESCRIPTION 描述			
THIS DRAWING IS A CONTROLLED DOCUMENT.		DWN	24SEP2016	TE Connectivity	
DIMENSIONS: mm		CHK	24SEP2016		
TOLERANCES UNLESS OTHERWISE SPECIFIED:		APVD	24SEP2016		
0 PLC ±- 1 PLC ±- 2 PLC ±- 3 PLC ±- 4 PLC ±- ANGLES ±- FINISH -		NAME	H6BPR-AG-EMC-C		
MATERIAL		PRODUCT SPEC	108-137191	SIZE	A2
		APPLICATION SPEC	114-137191	CAGE CODE	-
		WEIGHT	-	DRAWING NO	G-T193006XXXXX09
		CUSTOMER DRAWING	SCALE 1:1	SHEET 1 OF 1	REV B