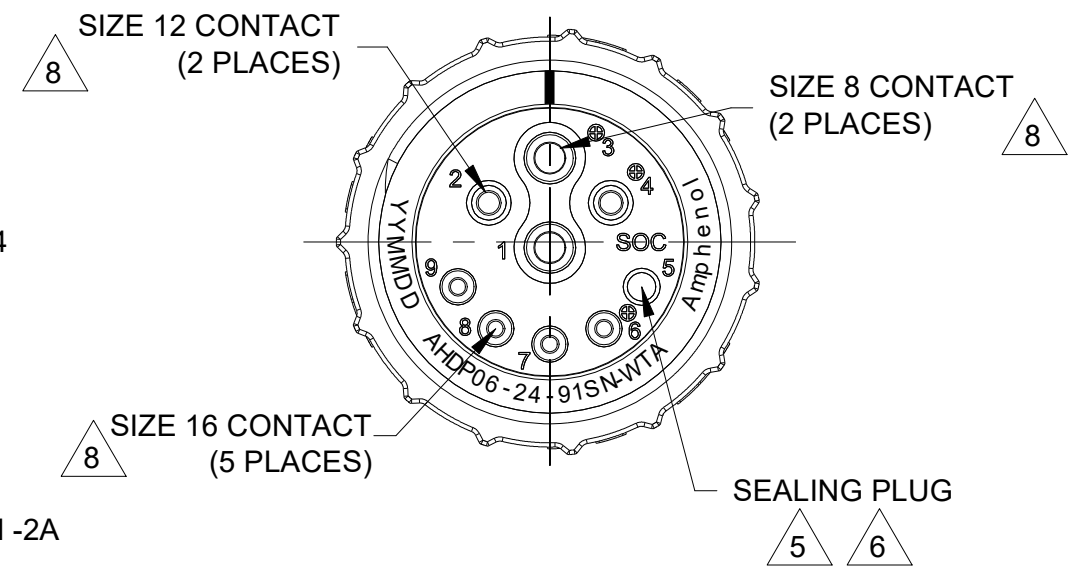


REVISIONS					
REV	ECO	DESCRIPTION	DATE	BY	APPR
A1	-	RELEASE NEW DRAWING	04/JAN/22	IAN	TOMMY

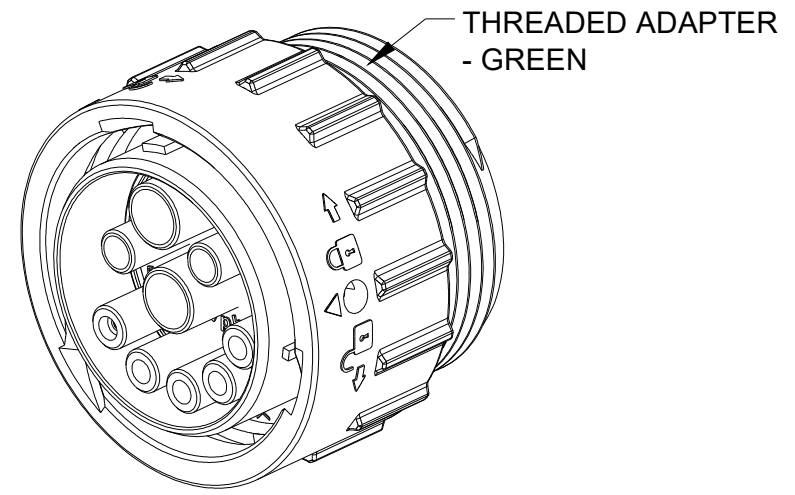


NOTES: UNLESS OTHERWISE SPECIFIED

- MATERIAL:  
HOUSING: THERMOPLASTIC; BLACK  
SEAL: SILICONE RUBBER
- MODIFICATIONS: THREADED ADAPTER;  
NORMAL DIA. WIRE SEAL;
- SPECIFICATIONS:
  - OPERATING TEMPERATURE: -55°C TO +125°C.
  - DIELECTRIC WITHSTANDING VOLTAGE: LESS THAN 2 MILLIAMPS CURRENT LEAKAGE @ 1500 VOLTS AC.
  - INSULATION RESISTANCE: 1000 MEGOHM MIN @ 25°C.
  - MOISTURE RESISTANCE:  
IP68(IM OF WATER FOR A PERIOD OF 24 HOURS,MATED CONDITION);  
IP69K(MATED CONDITION).
  - MATING CYCLE DURABILITY: 100 CYCLES
  - MATING CYCLE DURABILITY: 100 CYCLES
  - RoHS COMPLIANT
- MATING PART: AHDP04-24-91P\* -XXX (\* = SEAL TYPE ,XXX = ALL MODIFICATIONS).
- CONTACTS 4 AND 5 ARE INTERNALLY CONNECTED.(BUILT-IN BRIDGE).
- CAVITY 5 IS WITH CONTACT SIZE 16 AND THE GROMMET IS SEAL.
- ALL DIMENSIONS ARE FOR REFERENCE USE ONLY.

8. CONTACT SIZE AND WIRE RANGE:

CONTACT SIZE	MIN. INSUL O.D.	MAX. INSUL O.D.	TYPICAL WIRE RANGE	CURRENT RATING
8	4.83 mm (.190 in)	6.10 mm (.240 in)	8-10AWG (10.0-5.0mm <sup>2</sup> )	60AMPS
12	3.40 mm (.134 in)	4.32 mm (.170 in)	10-14AWG (6.0-2.0mm <sup>2</sup> )	25AMPS
16	2.54mm (.100 in)	3.40 mm (.134 in)	14-20AWG (2.0-0.5mm <sup>2</sup> )	13AMPS



QUANTITY	AHDP06-24-91SN-WTA	DESCRIPTION	ITEM

SIGNATURES			DATE
DRAWN:	IAN.XIAO		04/JAN/22
CHECKED:	SULLEN.ZHANG		04/JAN/22
ENGINEER:			
APPROVAL:	TOMMY.XIE		05/JAN/22

UNLESS OTHERWISE SPECIFIED			
1) All dimensions are in metric(mm).			
2) Tolerances are as follows:			
1 PL DEC ±0.30	Fractions ±1/64		
2 PL DEC ±0.15	Angles ±1°		
3 PL DEC ±0.08			
3) Note reference = X			
MATERIAL SPECIFICATIONS:	CUSTOMER:		
PROCESS SPECIFICATIONS:	THIS DRAWING IS SUPPLIED FOR INFORMATION ONLY. DESIGN FEATURES, SPECIFICATIONS AND PERFORMANCE DATA SHOWN HEREON ARE THE PROPERTY OF THE AMPHENOL CORPORATION. NO RIGHTS OF REPRODUCTION ARE IMPLIED. ALL DIMENSIONS ARE SUBJECT TO NORMAL MANUFACTURING VARIATIONS.		
NEXT ASSY:			

Sine Systems - www.amphenol-sine.com		44724 Morley Drive		Clinton Township, MI 48036	
09POS,PLUG,SOCKET,24SZ, NORMAL SEAL,WIDE THREADED,DURAMATE AHDP					
SIZE	TYPE	DWG NO:	REVISION		
B	C-	AHDP06-24-91SN-WTA	A1		
SCALE:	NONE	DURAMATE	SHEET	1	OF 1

TITLE: 09POS,PLUG,SOCKET,24SZ,NORMAL SEAL,WIDE THREADED,DURAMATE AHDP  
 DWG NO: AHDP06-24-91SN-WTA  
 REV: A1  
 SH: 1  
 OF: 1