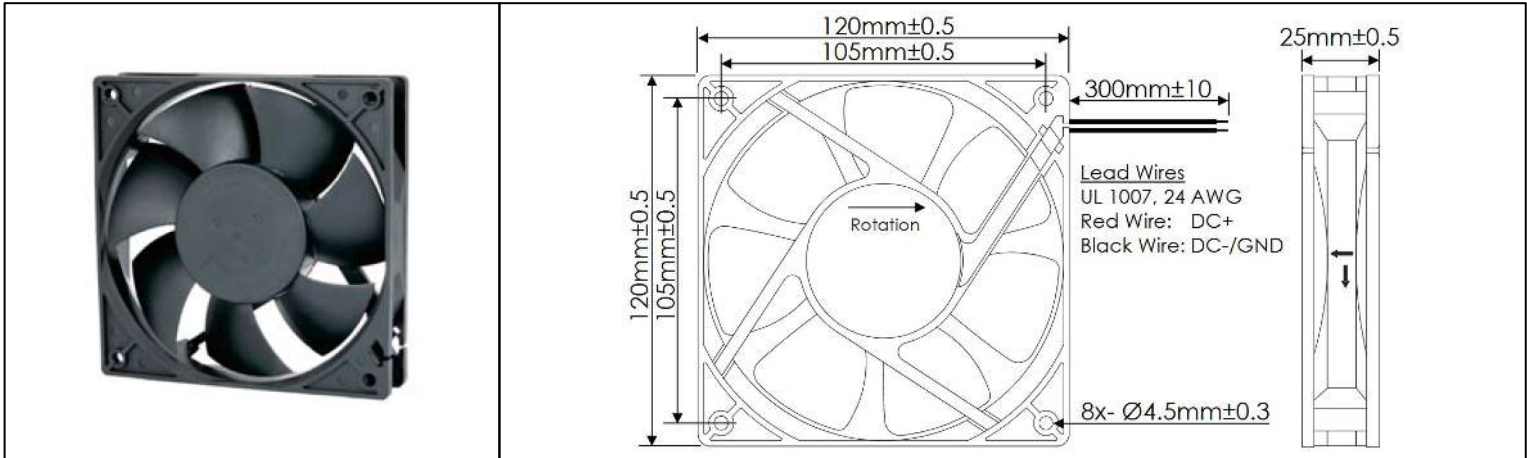


OD1225 XE Series



DC Fans - 24, 48V
120mm x 25mm (4.7" x 1.0")



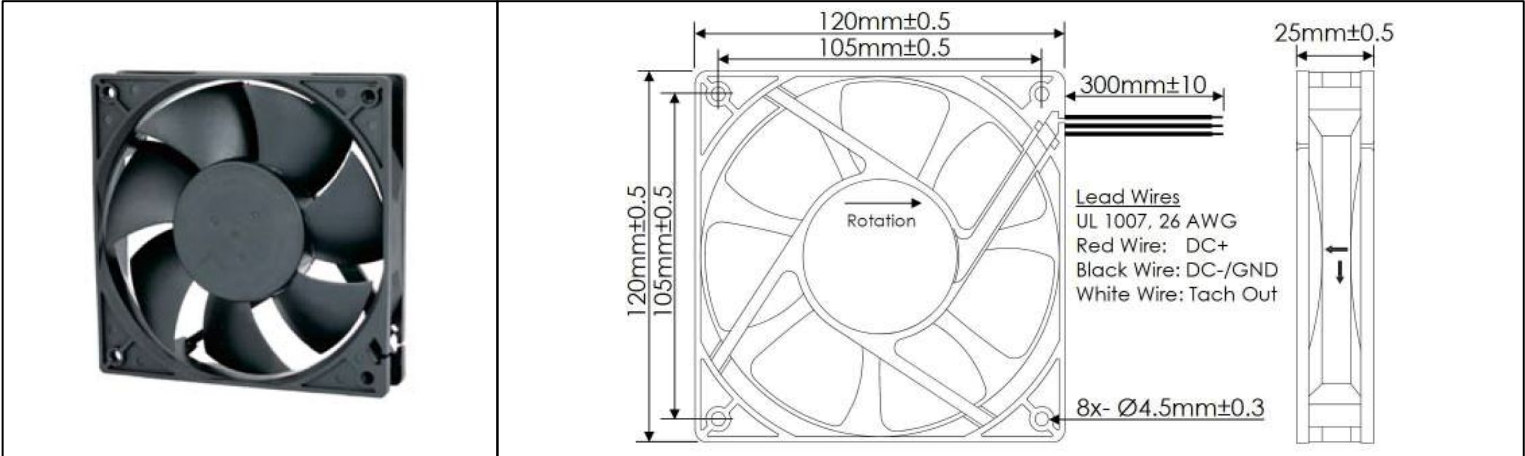
Frame	PBT, UL94 V-0 Plastic	<u>Operating Temperature</u> -20°C ~ +65°C <u>Storage Temperature</u> -25°C ~ +75°C <u>Life Expectancy</u> 70,000 Hours (L10 at 40°C) <u>Available Options</u> PWM Speed Control Input Thermal Speed Control 0-10V Speed Control Tachometer Output Alarm Output IP Ratings Weight: 0.35 lbs	
Impeller	PBT, UL94 V-0 Plastic		
Connection	2x Lead Wires, 24 AWG		
Motor	Brushless DC, Auto Cutoff, Auto Restart, Polarity Protected, Electronically Protected		
Bearing System	Ball Bearings		
Dielectric Strength	500VDC/min, <1mA		
Insulation Resistance	≥10MΩ @ 500 VDC		

Part Number	Rated Voltage (Volts DC)	Voltage Range (Volts DC)	Input Power (Watts)	Rated Current (Amps)	Rated Speed (RPM)	Max Airflow (CFM)	Noise Level (dBA)	Max Static Pressure ("H ₂ O)
OD1225-24HBXE	24	15 ~ 26	21.0	0.85	4950	133.8	55.2	0.75
OD1225-48HBXE	48	28 ~ 52	31.2	0.65	4950	133.8	55.2	0.75

OD1225 XE Series with Tach

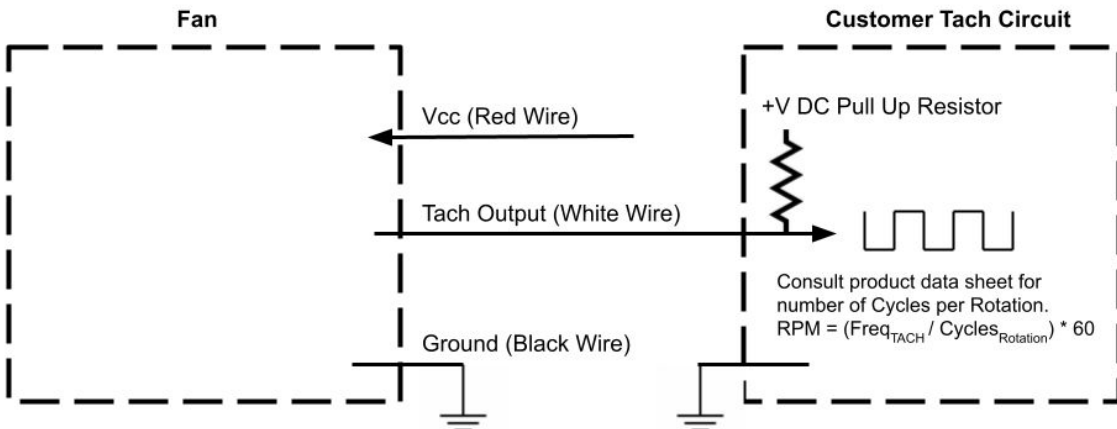


DC Fans - 24, 48V
120mm x 25mm (4.7" x 1.0")



Frame	PBT, UL94 V-0 Plastic	Operating Temperature -20°C ~ +65°C Storage Temperature -25°C ~ +75°C Life Expectancy 70,000 Hours (L10 at 40°C) Installed Options Open Collector Tach Output Available Options 5V TTL Tach Output IP Ratings Weight: 0.35 lbs	
Impeller	PBT, UL94 V-0 Plastic		
Connection	3x Lead Wires, 26 AWG		
Motor	Brushless DC, Auto Cutoff, Auto Restart, Polarity Protected, Electronically Protected		
Bearing System	Ball Bearings		
Dielectric Strength	500VDC/min, <1mA		
Insulation Resistance	≥10MΩ @ 500 VDC		

Part Number	Rated Voltage (Volts DC)	Voltage Range (Volts DC)	Input Power (Watts)	Rated Current (Amps)	Rated Speed (RPM)	Max Airflow (CFM)	Noise Level (dBA)	Max Static Pressure ("H ₂ O)
OD1225-24HBXE01A	24	15 ~ 26	21.0	0.85	4950	133.8	55.2	0.75
OD1225-48HBXE01A	48	28 ~ 52	31.2	0.65	4950	133.8	55.2	0.75

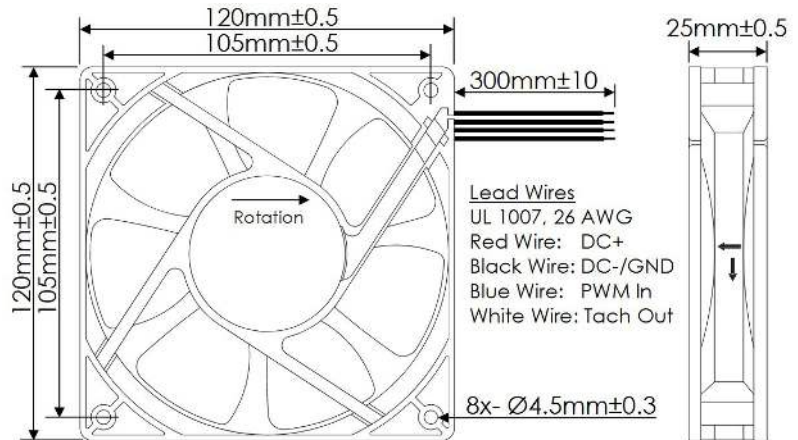


Tach Max Pullup Voltage: Fan Vcc
Tach Max Sink Current: 5mA
Tach Cycles per Rotation: 2



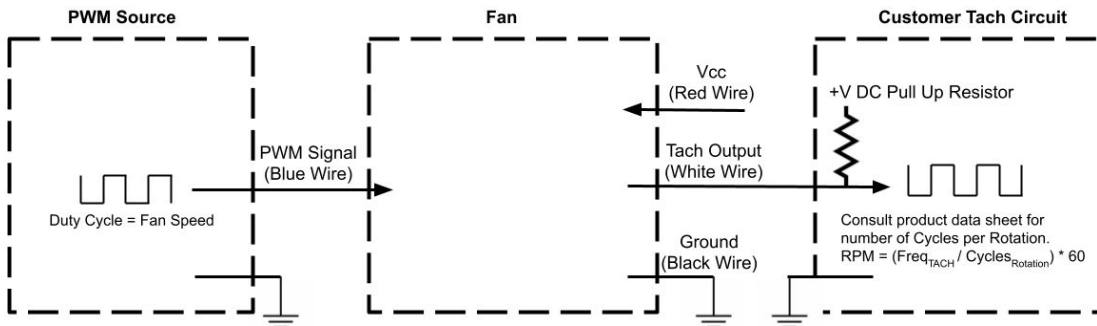
OD1225 XE Series with PWM and Tach

DC Fans - 24, 48V
120mm x 25mm (4.7" x 1.0")



Frame	PBT, UL94 V-0 Plastic	<p>Operating Temperature -20°C ~ +65°C</p> <p>Storage Temperature -25°C ~ +75°C</p> <p>Life Expectancy 70,000 Hours (L10 at 40°C)</p> <p>Installed Options PWM Speed Control Input Open Collector Tach Output</p> <p>Available Options 5V TTL Tach Output IP Ratings</p> <p>Weight: 0.35 lbs</p>	
Impeller	PBT, UL94 V-0 Plastic		
Connection	4x Lead Wires, 26 AWG		
Motor	Brushless DC, Auto Cutoff, Auto Restart, Polarity Protected, Electronically Protected		
Bearing System	Ball Bearings		
Dielectric Strength	500VDC/min, <1mA		
Insulation Resistance	≥10MΩ @ 500 VDC		

Part Number	Rated Voltage (Volts DC)	Voltage Range (Volts DC)	Input Power (Watts)	Rated Current (Amps)	Rated Speed (RPM)	Max Airflow (CFM)	Noise Level (dBA)	Max Static Pressure ("H ₂ O)
OD1225-24HBXE10A	24	15 ~ 26	21.0	0.85	4950	133.8	55.2	0.75
OD1225-48HBXE10A	48	28 ~ 52	31.2	0.65	4950	133.8	55.2	0.75



Tach Max Pullup Voltage:	Fan Vcc	Tach Max Sink Current:	8mA
Tach Cycles per Revolution:	2	PWM Max High Voltage:	5V
PWM Max Sink Current:	5mA	PWM Frequency Range:	1KHz-100KHz
PWM Typical Frequency:	25KHz		
RPM at 0% Duty Cycle:	0 RPM		

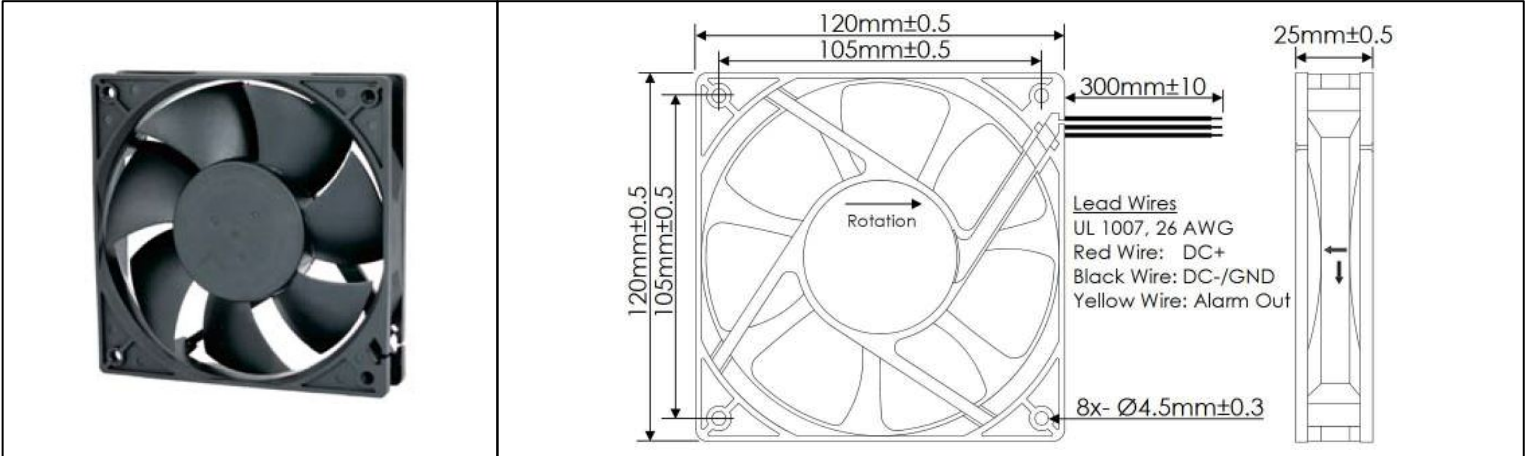
RPM will be full speed if PWM input is disconnected.

PWM Duty Cycle	0%	25%	50%	75%	100%
Speed RPM	0	2300±30%	3800±25%	4575±20%	4950±10%

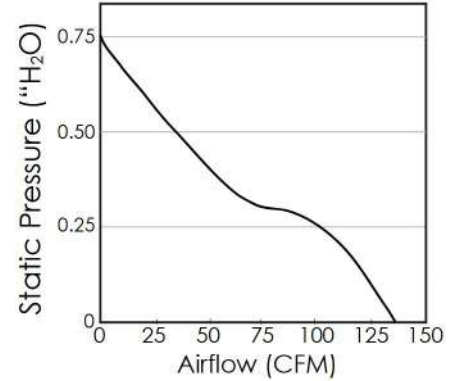
OD1225 XE Series with Alarm



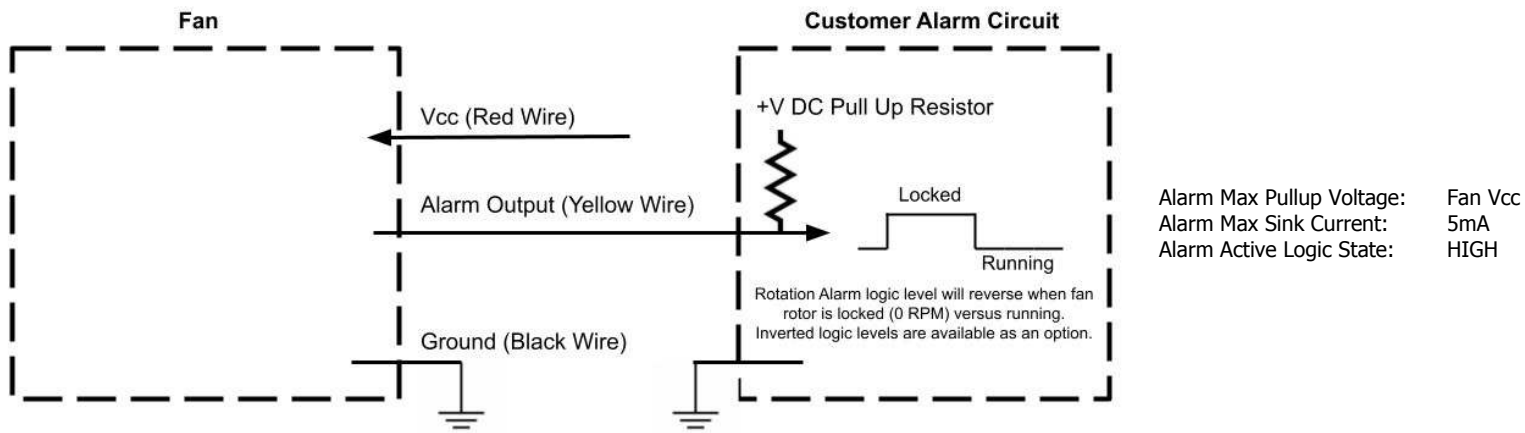
DC Fans - 24, 48V
120mm x 25mm (4.7" x 1.0")



Frame	PBT, UL94 V-0 Plastic	Operating Temperature -20°C ~ +65°C Storage Temperature -25°C ~ +75°C Life Expectancy 70,000 Hours (L10 at 40°C) Installed Options Open Collector Alarm Output Available Options 5V TTL Alarm Output Inverted Logic States Weight: 0.35 lbs
Impeller	PBT, UL94 V-0 Plastic	
Connection	3x Lead Wires, 26 AWG	
Motor	Brushless DC, Auto Cutoff, Auto Restart, Polarity Protected, Electronically Protected	
Bearing System	Ball Bearings	
Dielectric Strength	500VDC/min, <1mA	
Insulation Resistance	≥10MΩ @ 500 VDC	



Part Number	Rated Voltage (Volts DC)	Voltage Range (Volts DC)	Input Power (Watts)	Rated Current (Amps)	Rated Speed (RPM)	Max Airflow (CFM)	Noise Level (dBA)	Max Static Pressure ("H ₂ O)
OD1225-24HBXE02A	24	15 ~ 26	21.0	0.85	4950	133.8	55.2	0.75
OD1225-48HBXE02A	48	28 ~ 52	31.2	0.65	4950	133.8	55.2	0.75



Alarm Max Pullup Voltage: Fan Vcc
 Alarm Max Sink Current: 5mA
 Alarm Active Logic State: HIGH