

10135281 - 10X LF

LEAD-FREE DESIGNATION ONLY WITH APPLICABLE PLATING CODES

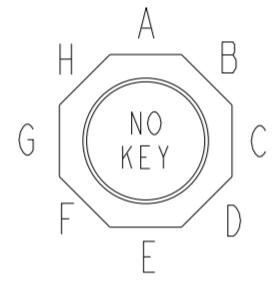
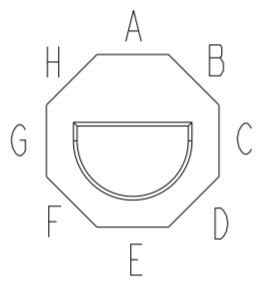
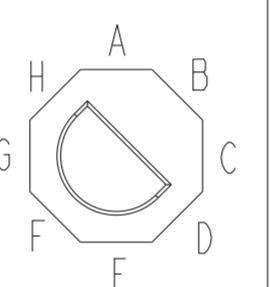
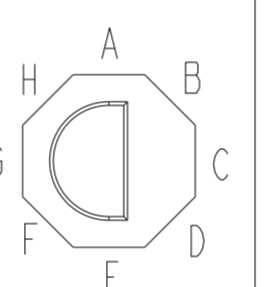
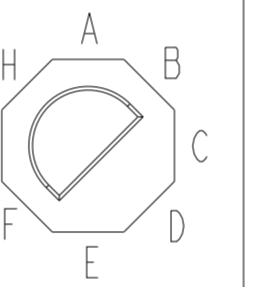
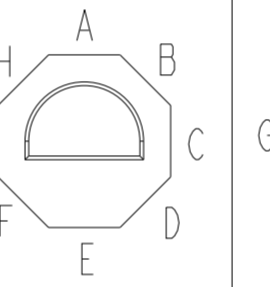
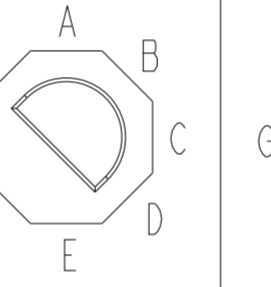
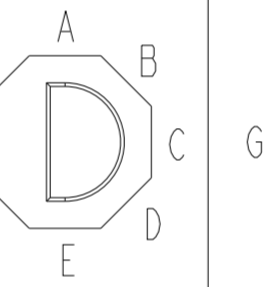
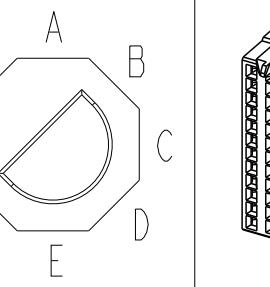
SEE NOTE 2

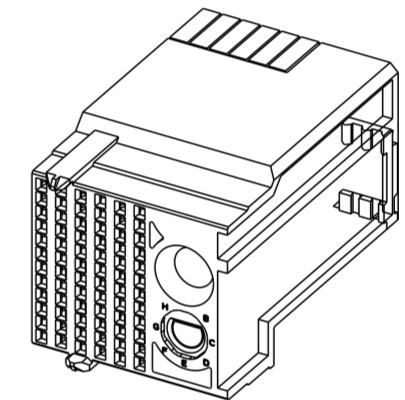
MODULE DESCRIPTION

LETTER DESIGNATION REPRESENTED IN DASH NUMBER

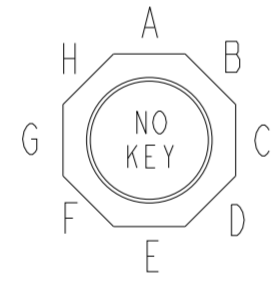
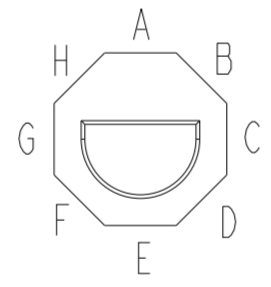
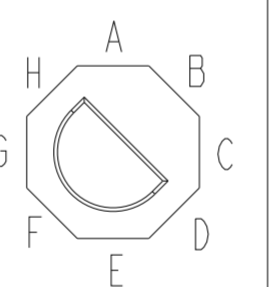
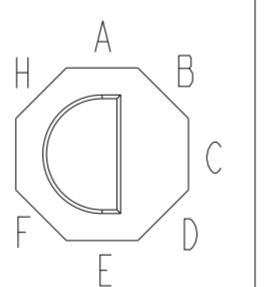
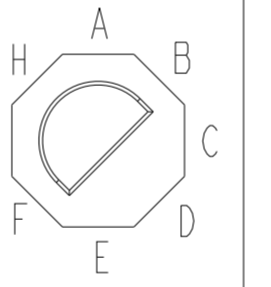
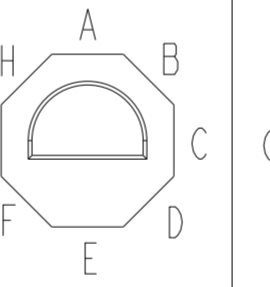
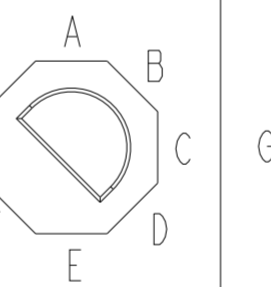
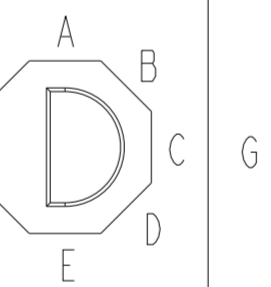
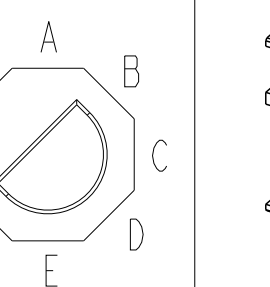
BASE MODULE

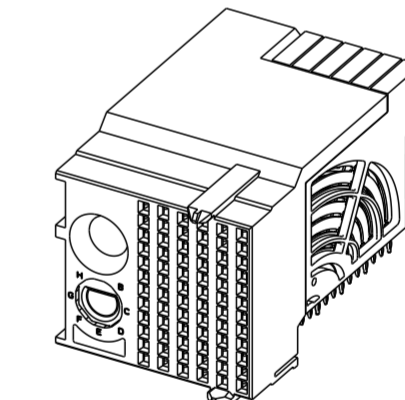
LEFT POLARIZING GUIDANCE MODULE (SEE SHEET 3)

N	J (NO KEY)	A	B	C	D	E	F	G	H
NO KEY NO GUIDE PIN									



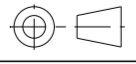
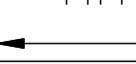

RIGHT POLARIZING GUIDANCE MODULE (SEE SHEET 2)

Z	Y (NO KEY)	P	Q	R	S	T	U	V	W
NO KEY NO GUIDE PIN									



NOT TOOLED

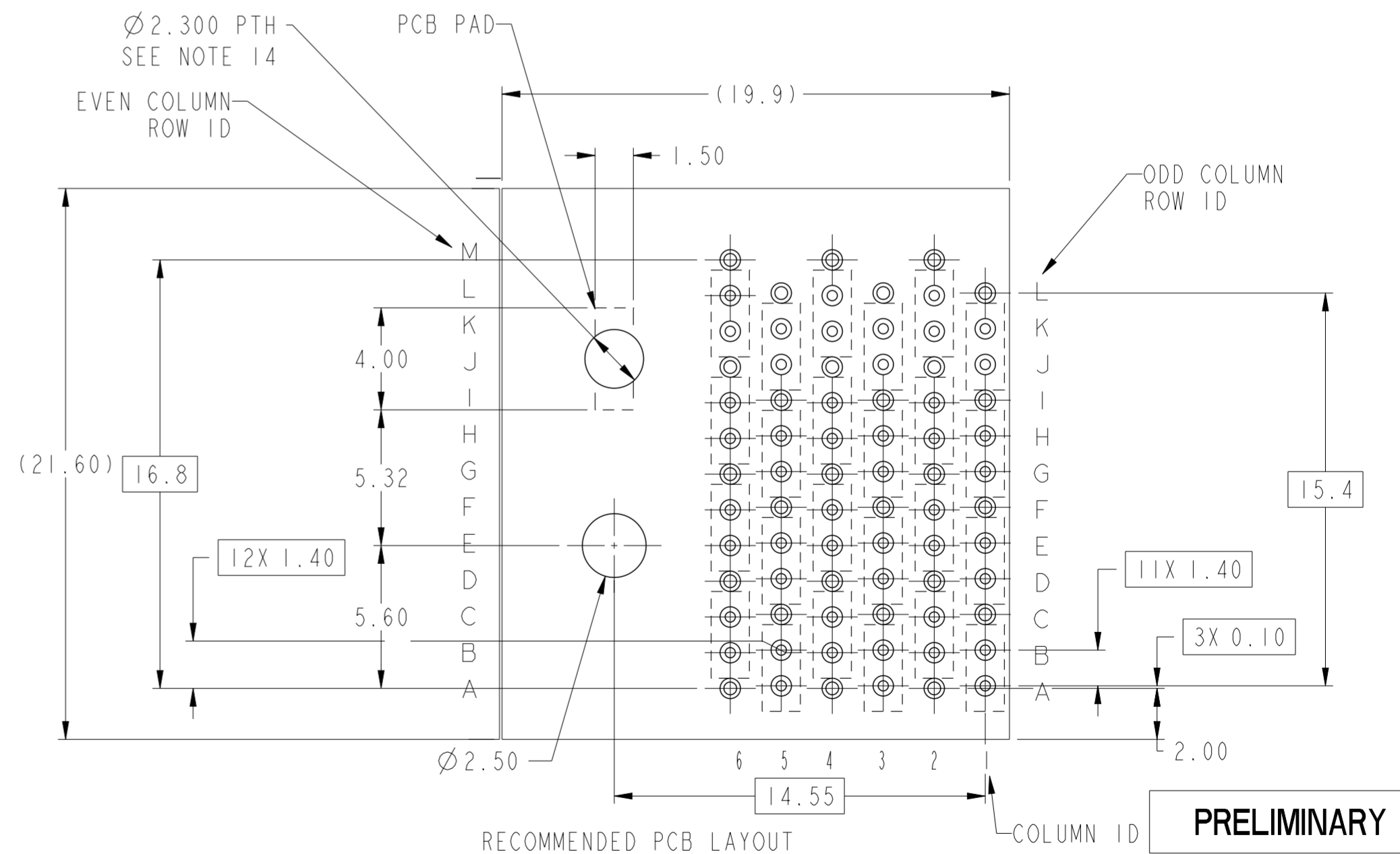
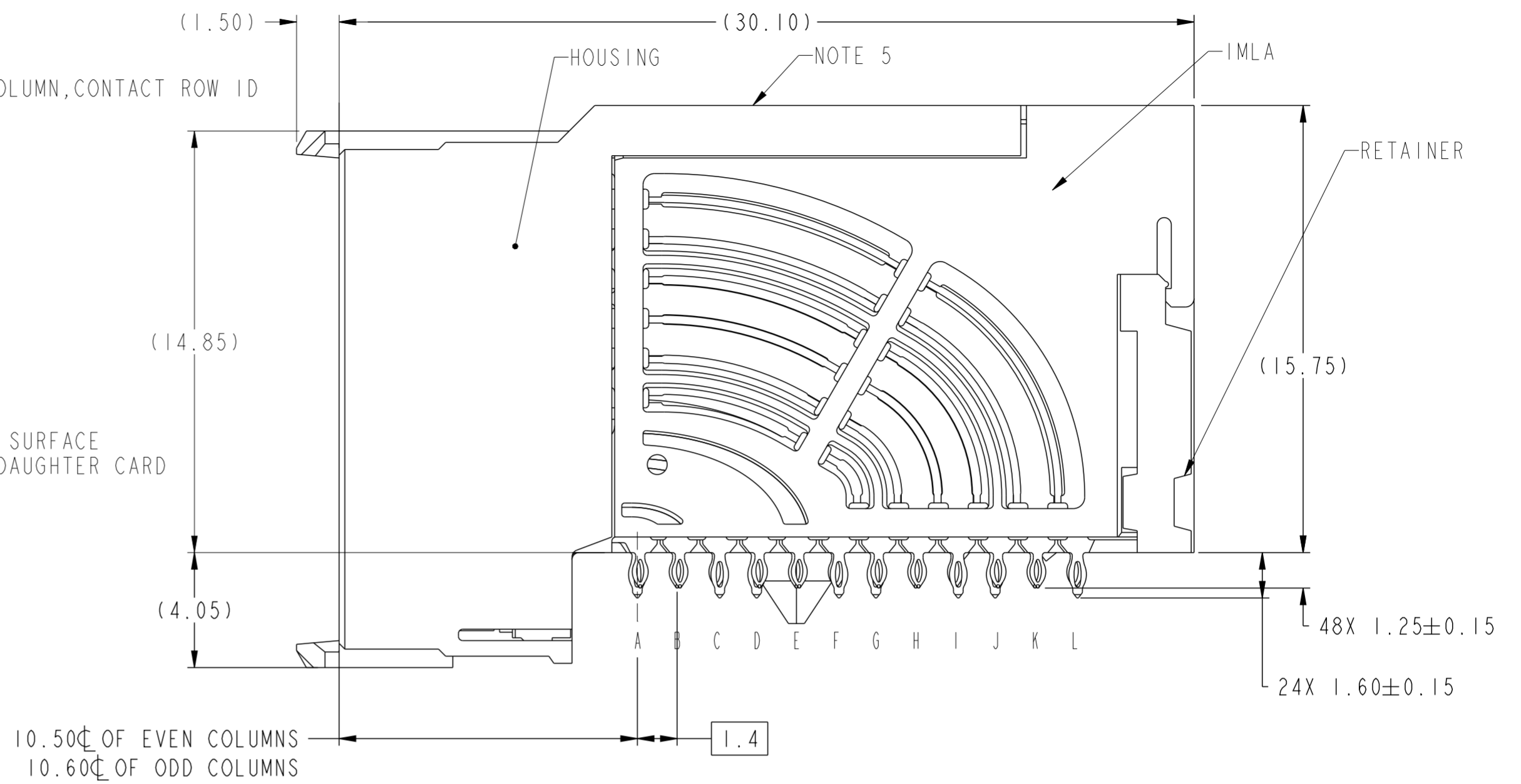
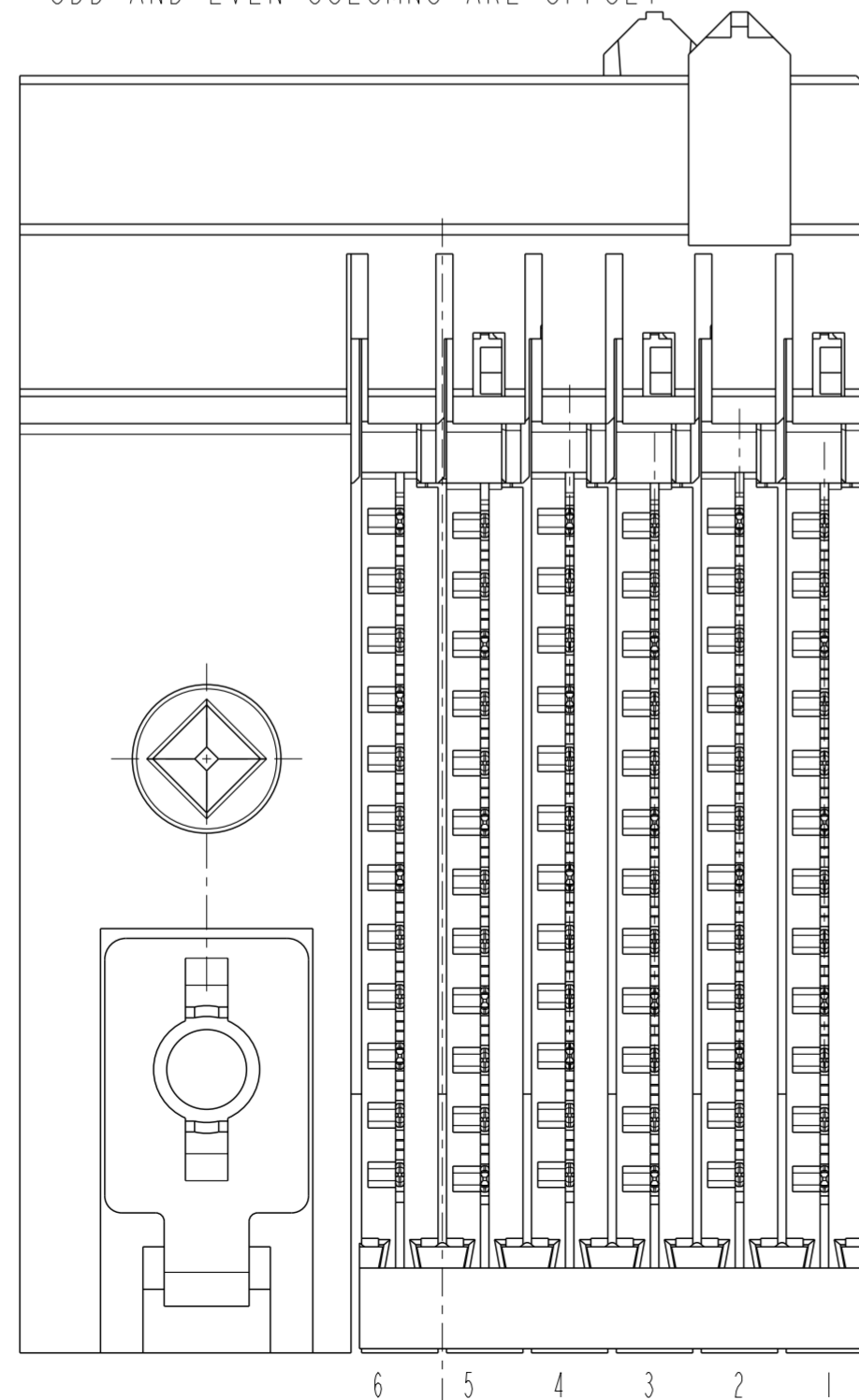
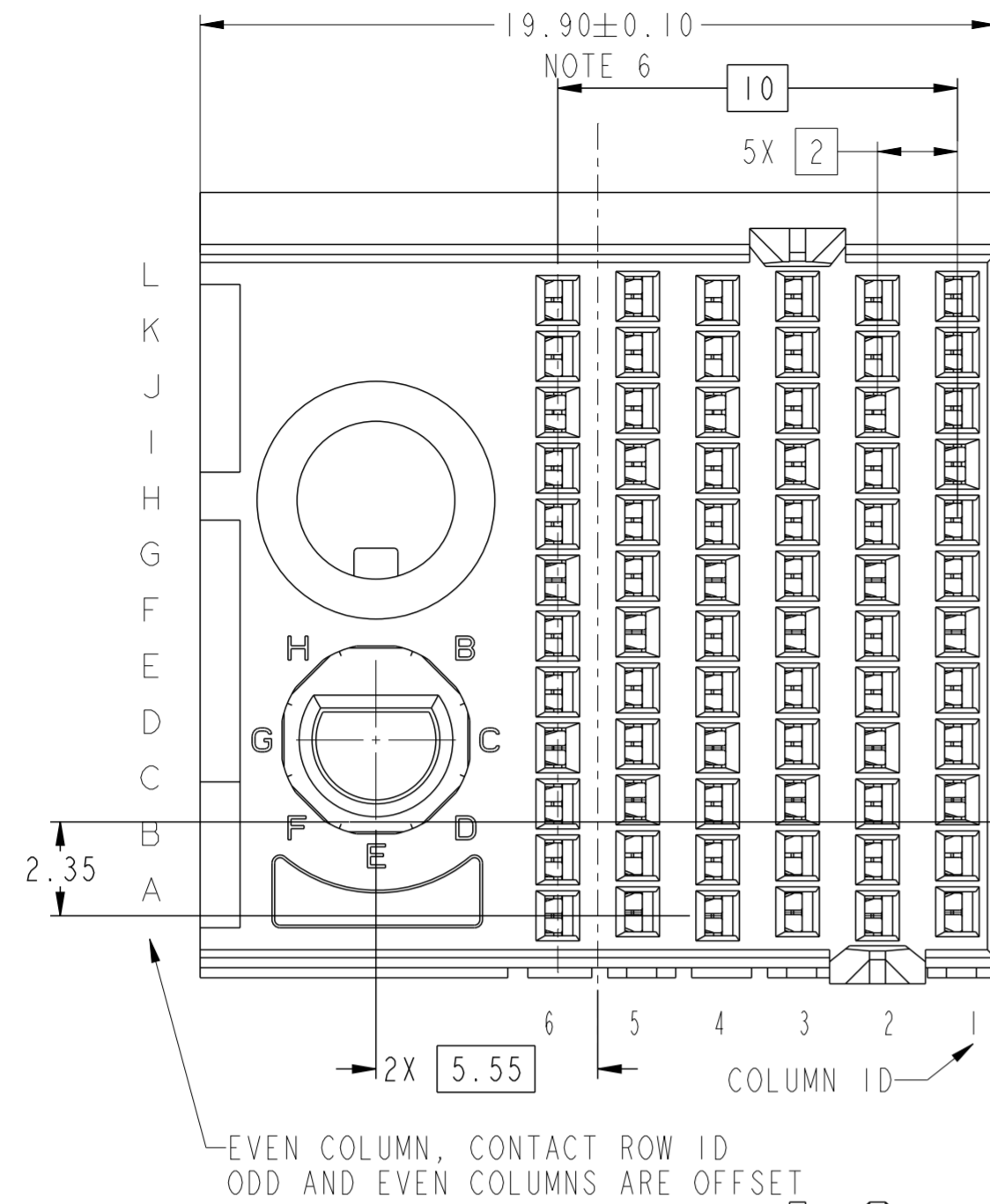
PRELIMINARY

spec ref	---	dr	Tao Zhan	2015/05/16	projection	MM	size	A2	scale	8:1								
tolerance std	ASME Y14.5M	eng	Tao Zhan	2016/03/14			ecn no	-	rel level	Preliminary								
TOLERANCES UNLESS OTHERWISE SPECIFIED		chr	-	product family			AirMax VS2											
surface	<table border="1"> <tr> <td>linear</td> <td>0.X</td> <td>±.3</td> </tr> <tr> <td></td> <td>0.XX</td> <td>±.15</td> </tr> <tr> <td></td> <td>0.XXX</td> <td>±.050</td> </tr> <tr> <td>angular</td> <td>0°</td> <td>±°</td> </tr> </table>	linear	0.X	±.3		0.XX	±.15		0.XXX	±.050	angular	0°	±°		AIRMAX VSe R.A. RECEPTACLE ASS'Y, 4 PAIR, 72 POS, 6 IMLA, 20MM, W/GUIDE/KEY		dwg no 10135281	rev 1
linear	0.X	±.3																
	0.XX	±.15																
	0.XXX	±.050																
angular	0°	±°																
		cat. no.	-		Product - Customer Drw		sheet 1 of 4											

Amphenol FCI

© 2016 AFCI

RIGHT POLARIZATION WITH GUIDE



RECOMMENDED PCB LAYOUT

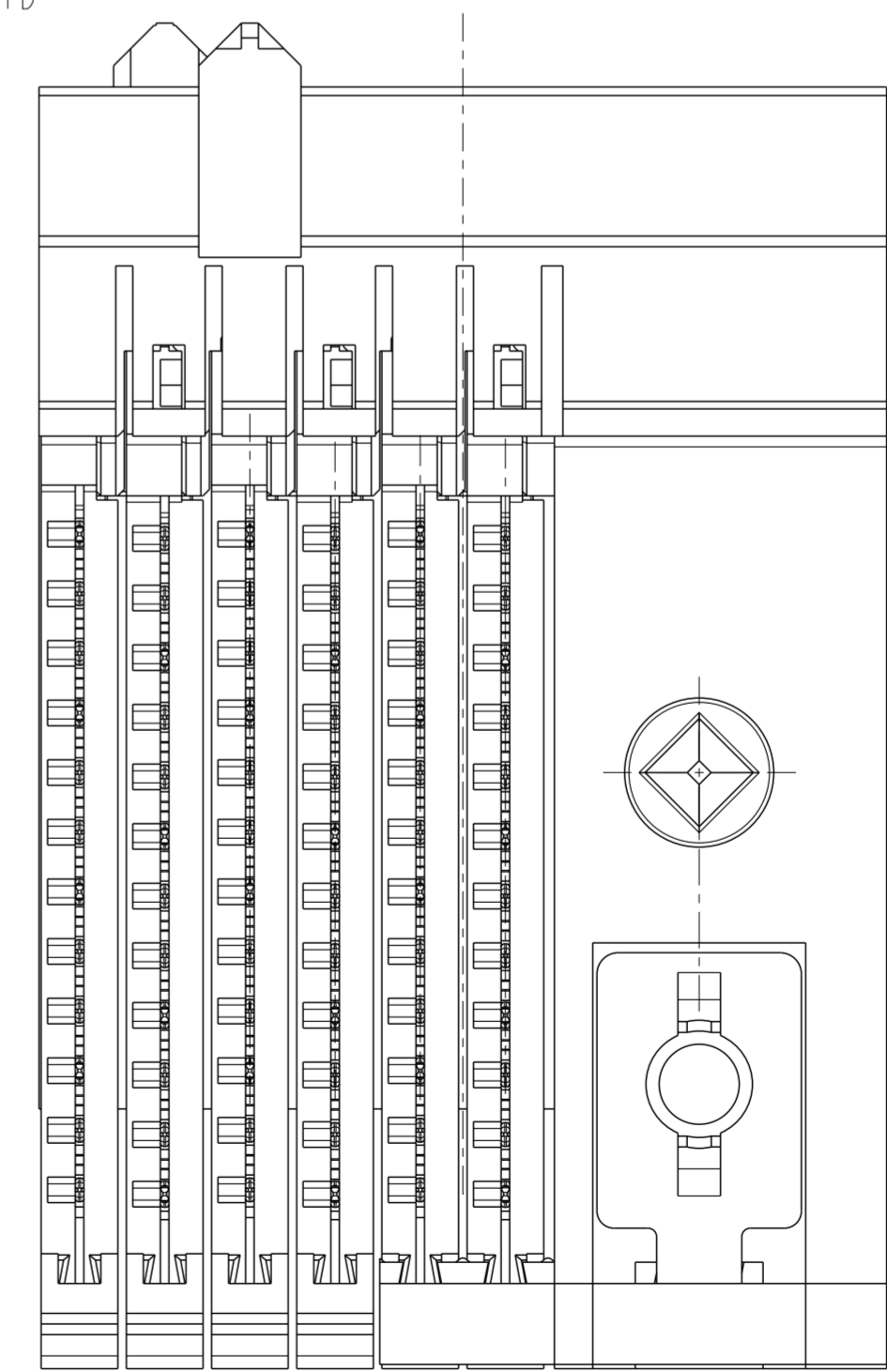
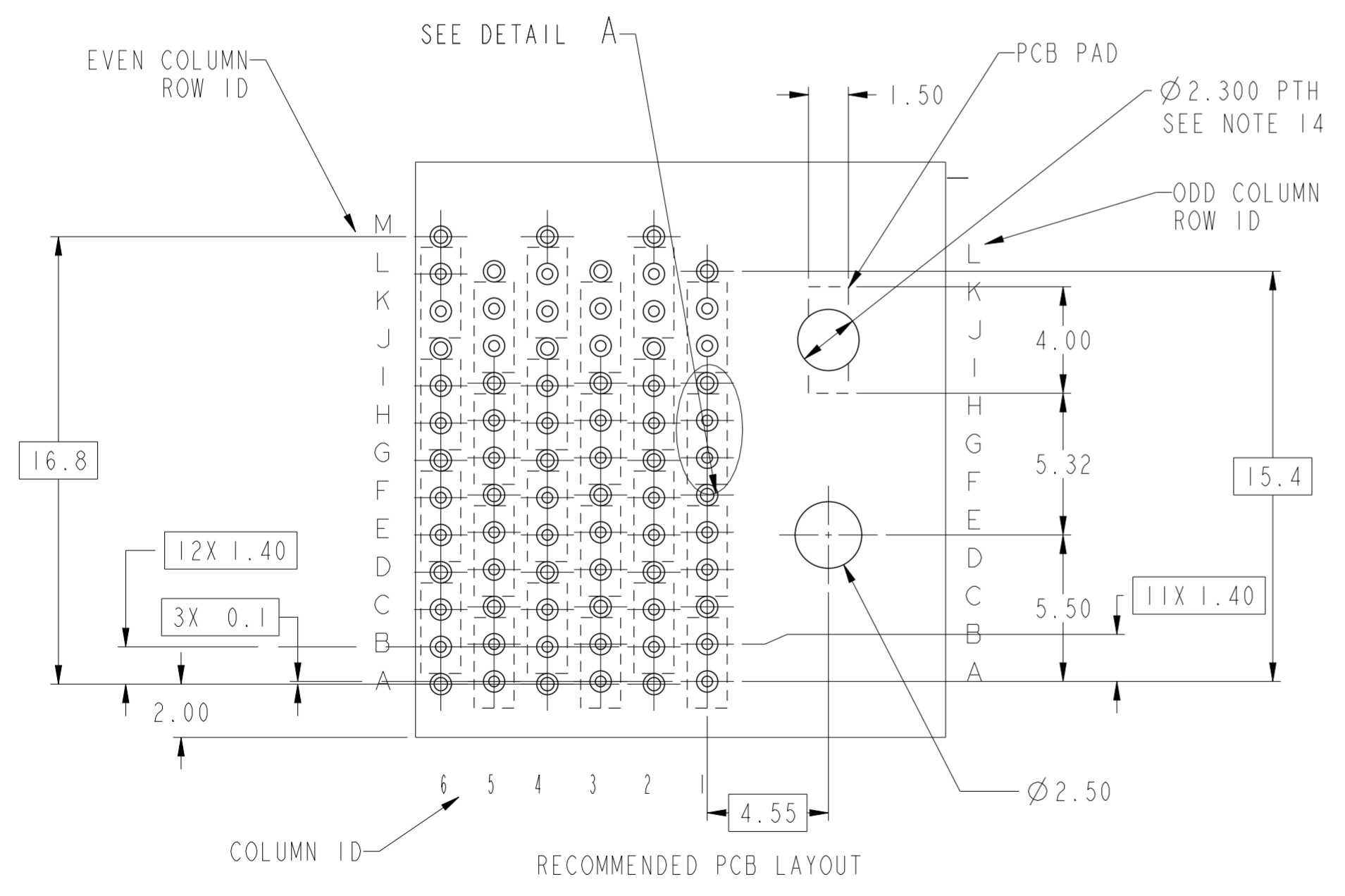
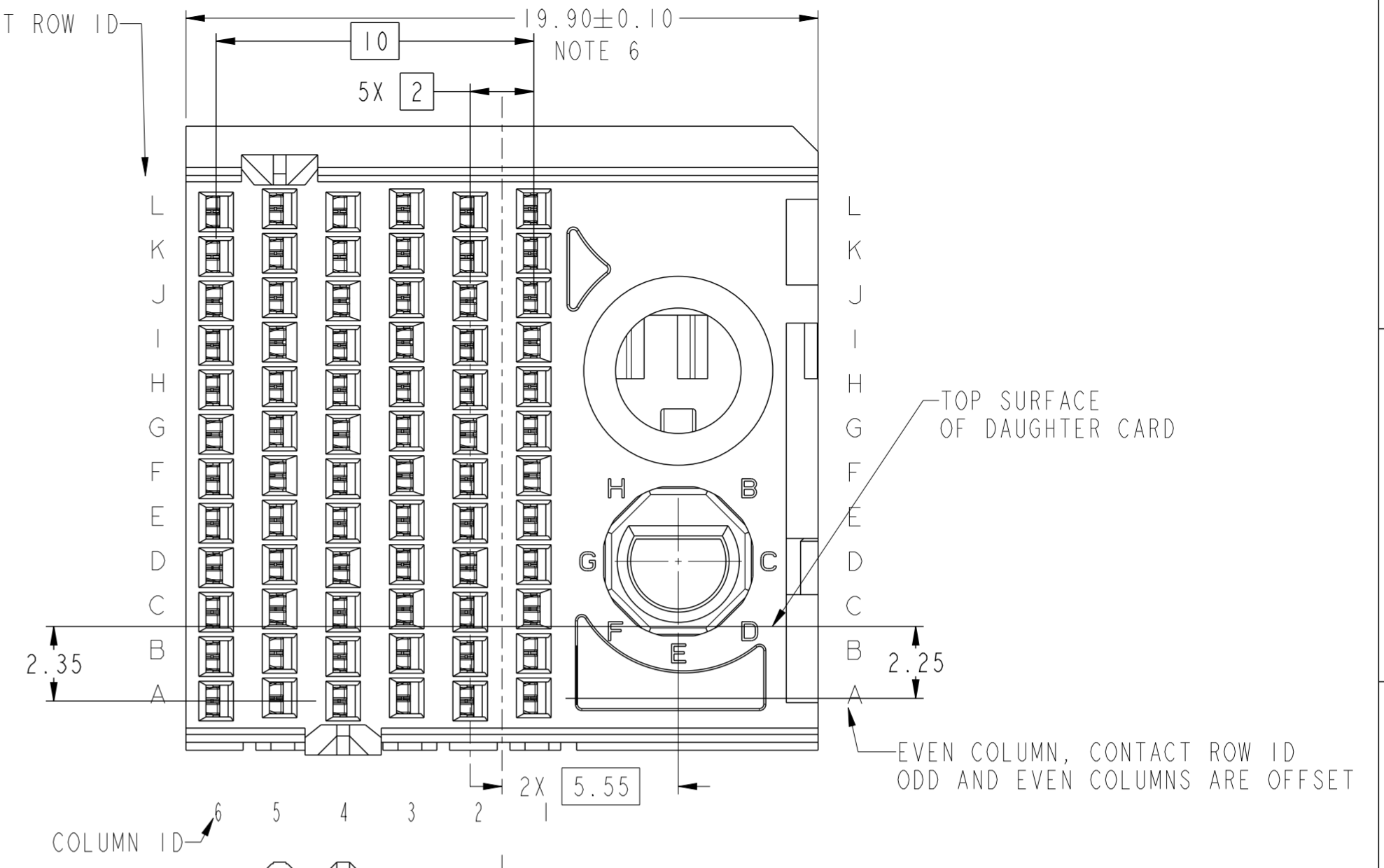
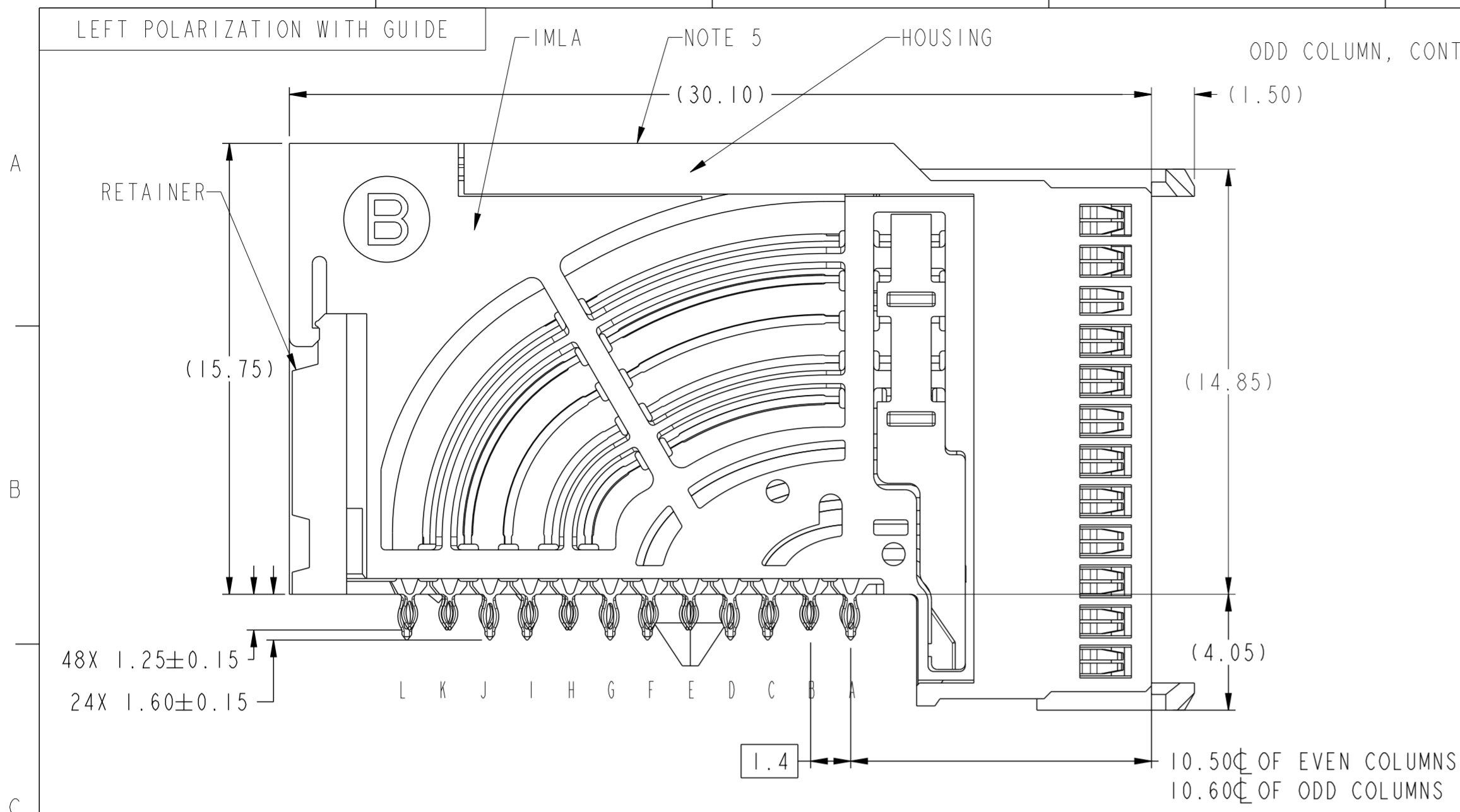
PRELIMINARY

spec ref	---	dr	Tao Zhan	2015/05/18	projection	MM	size	A2	scale	6:1	
tolerance std	ASME Y14.5M	eng	Tao Zhan	2016/03/14			ecn no	-	rel level	Preliminary	
TOLERANCES UNLESS OTHERWISE SPECIFIED		chr	-	product family							AirMax VS2
surface	-	appr	-	-			title	AIRMAX VSe R.A. RECEPTACLE ASS'Y, 4 PAIR, 72 POS, 6 IMLA, 20MM, W/GUIDE/KEY		rev	1
	linear	0.X	±.3		cat. no.	-	Product - Customer Drw	10135281	sheet 2 of 4		
		0.XX	±.15								
		0.XXX	±.050								
	angular	0°	±°								

Amphenol FCI

© 2016 AFCI

LEFT POLARIZATION WITH GUIDE




PRELIMINARY

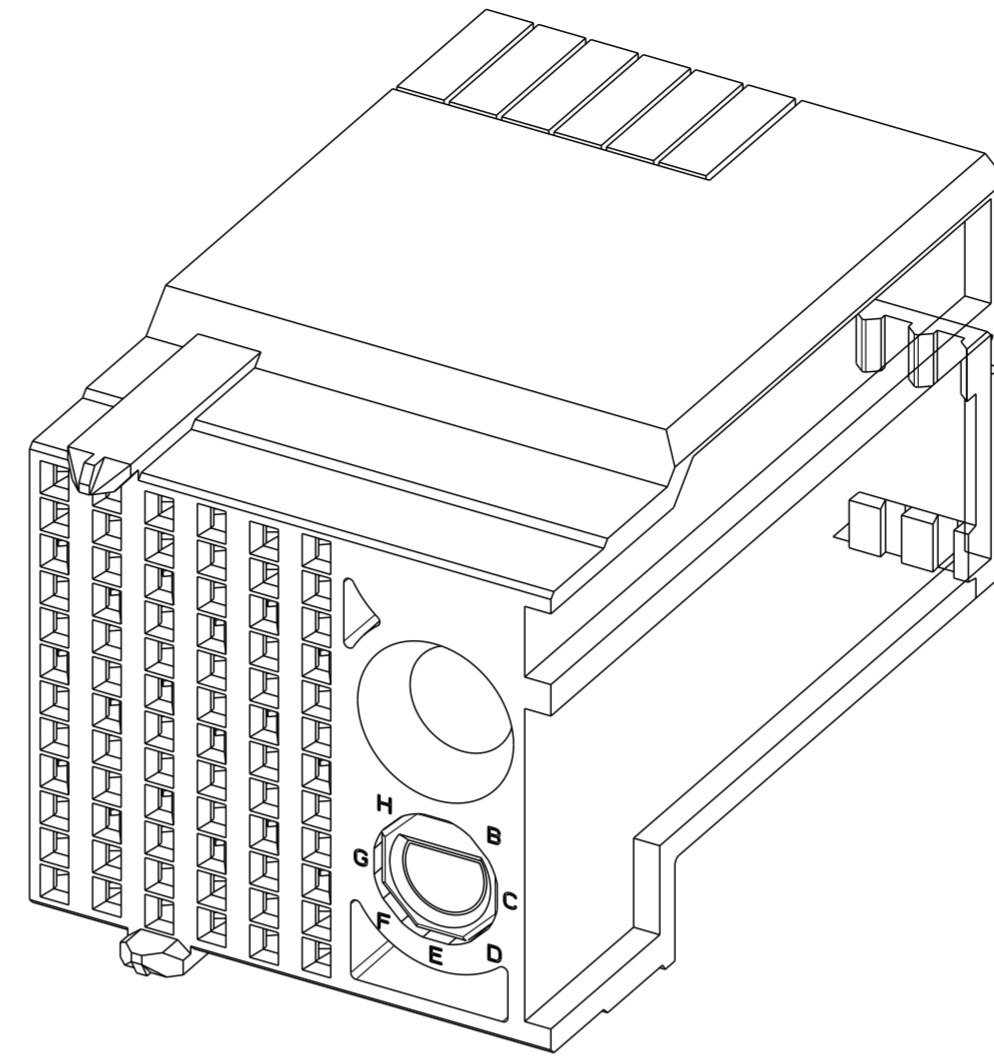
spec ref	---	dr	Tao Zhan	2015/05/16	projection	MM	size	A2	scale	8:1
tolerance std	ASME Y14.5M	eng	Tao Zhan	2016/03/14	chr	-	ecn no	-	rel level	Preliminary
surface	-	appr	-	-	product family	AIRMAX VS2	title	AIRMAX VSe R.A. RECEPTACLE ASS'Y, 4 PAIR, 72 POS, 6 IMLA, 20MM, W/GUIDE/KEY		
linear	0.X ±.3 0.XX ±.15 0.XXX ±.050	cat. no.	-	Product - Customer Drw	sheet 3 of 4	rev	1			
angular	0° ±°									

Amphenol FCI

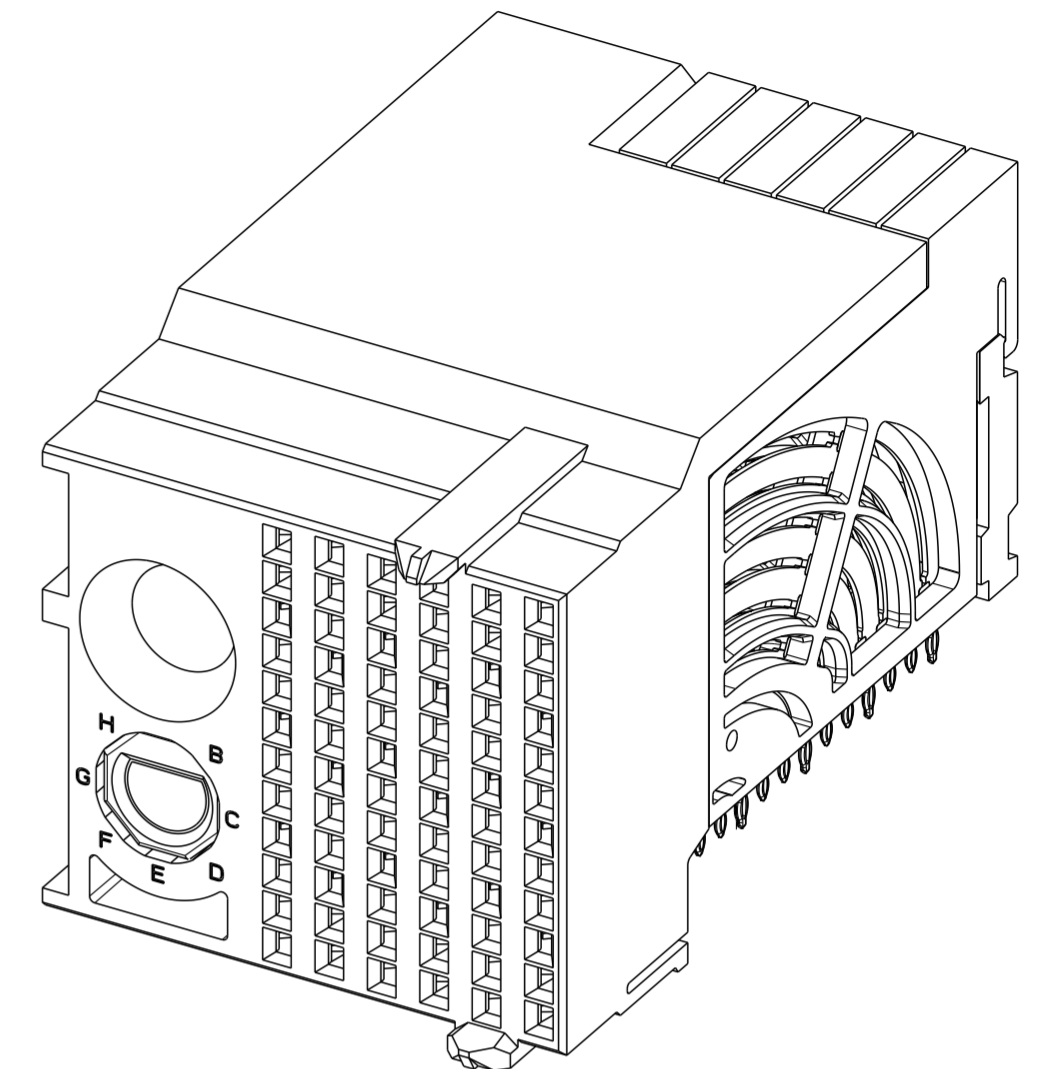
© 2016 AFCI

PRODUCT NUMBER	PRESS-FIT TAIL PLATING TYPE
10135281-10*LF	TIN OVER NICKEL (LEAD FREE)

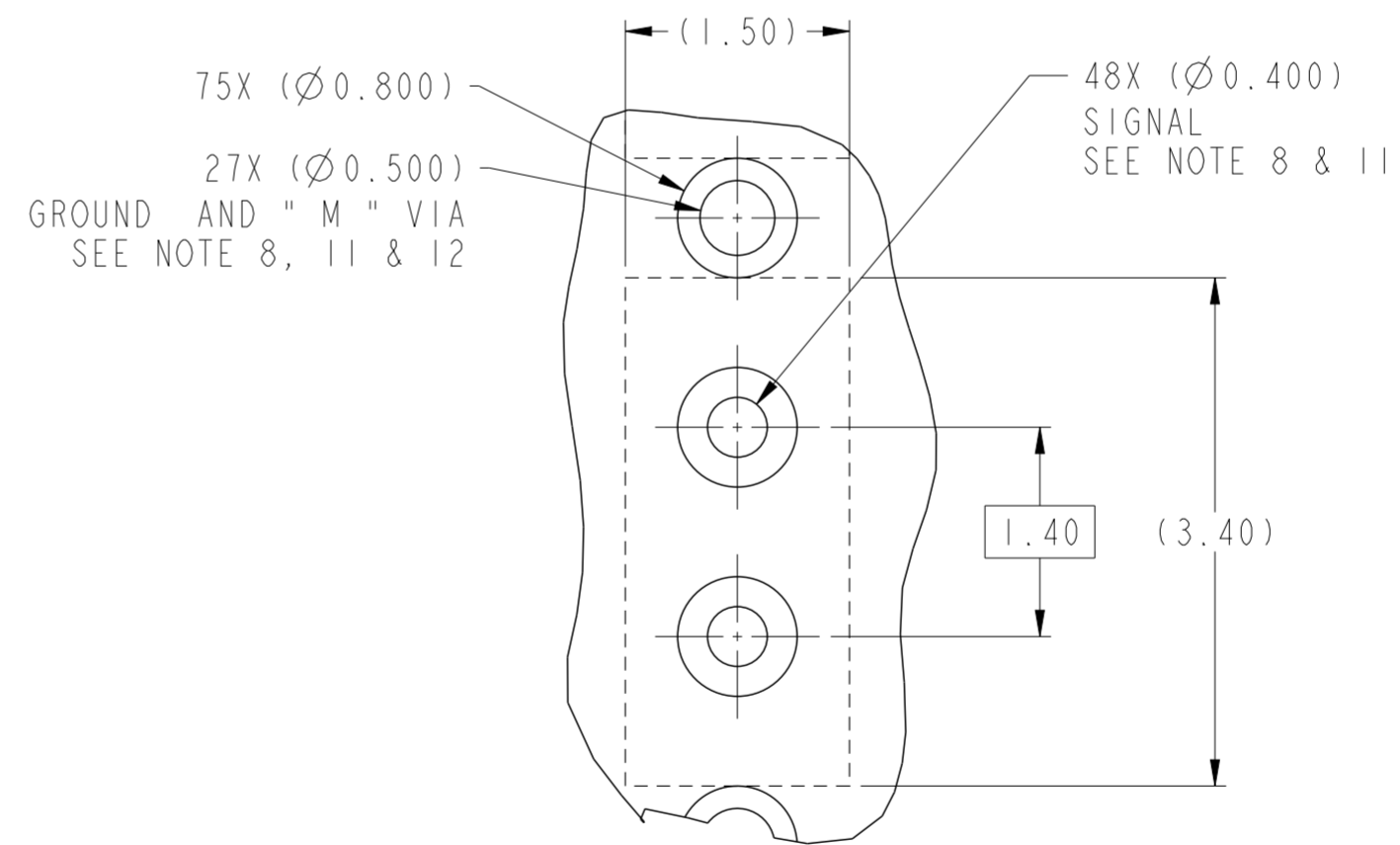
- 1 - CONNECTOR MATERIALS:
HOUSING: HIGH TEMP THERMOPLASTIC, NATURAL, UL94-V0
IMLA PLASTIC: HIGH TEMP THERMOPLASTIC, BLACK, UL94-V0
CONTACT: COPPER ALLOY
ORGANIZER: HIGH TEMP THERMOPLASTIC, WHITE, UL94-V0
- 2 - CONTACT PLATING:
SEPARABLE INTERFACE:
PERFORMANCE-BASED PLATING, QUALIFIED TO MEET THE REQUIREMENTS OF FCI PRODUCT SPECIFICATION GS-12-0956 INCLUDING TELCORDIA GR-1217-CORE (NOVEMBER 1995) CENTRAL OFFICE TEST SEQUENCE
- PRESS-FIT TAILS: SEE TABLE
- 3 - PRODUCT SPECIFICATION: GS-12-0956
- 4 - APPLICATION SPECIFICATION: GS-20-0305.
- 5 - PRODUCT MARKING, (PART NUMBER & LOT CODE), ON THIS SURFACE.
- 6 - THE MINIMUM CENTERLINE SPACING BETWEEN ADJACENT MODULES IS 20.0 MM.
- 7 - CONNECTOR OUTLINE MAY BE SCREEN PRINTED ONTO CUSTOMER PCB TO BE USED AS A GUIDE FOR MANUAL CONNECTOR PLACEMENT.
- 8 - REFER TO CUSTOMER DRAWING 10104444 FOR INFORMATION ON PCB HOLE DIAMETERS AND PLATING OPTIONS
- 9 - LEAD FREE PRODUCT MEETS THE EUROPEAN UNION DIRECTIVES & OTHER COUNTRY REGULATIONS AS DESCRIBED IN GS-22-008
- 10 - PACKAGING MEETS GS-14-920 LEAD FREE LABELING SPECIFICATION.
- 11 - GROUND CONTACTS (C,F, AND I IN ODD COLUMNS AND A, D, AND G, EVEN COLUMNS) REQUIRE (Ø0.500) FINISHED HOLES. SIGNAL LOCATIONS REQUIRE (Ø0.400) FINISHED HOLES.
- 12 - THESE OUTER VIAS (M) ARE OPTIONAL. WHILE NO CONNECTOR EONS ARE PRESSED INTO THESE HOLES WE RECCOMEND (Ø0.500) FINISHED HOLES AT THESE LOCATIONS TO PROVIDE GROUND SYMMETRY THROUGH THE PCB.
- 13 - A  SYMBOL WILL BE NEXT TO ANY DIMENSION, VIEW, OR NOTE, WHICH HAS BEEN MODIFIED WITH THE CURRENT DRAWING REVISION
- 14 - CUSTOMER CAN FIX THE CONNECTOR WITH THREAD FORMING SCREW THROUGH THIS PTH. THE SCREW IS #2-32, THE VALID LENGTH OF SCREW IS 4.5MM PLUS THE THICKNESS OF PCB.



10135281-10ALF

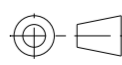




10135281-10PLF



DETAIL A
SCALE 20:1

PRELIMINARY

spec ref	---	dr	Tao Zhan	2015/05/18	projection	MM	size	A2	scale	6:1												
tolerance std	ASME Y14.5M	eng	Tao Zhan	2016/03/14			ecn no	-	rel level	Preliminary												
TOLERANCES UNLESS OTHERWISE SPECIFIED		chr	-	appr							-	product family	AirMax VS2									
surface	<table border="1"> <tr> <td>linear</td> <td>0.X</td> <td>±.3</td> </tr> <tr> <td></td> <td>0.XX</td> <td>±.15</td> </tr> <tr> <td></td> <td>0.XXX</td> <td>±.050</td> </tr> <tr> <td>angular</td> <td>0°</td> <td>±°</td> </tr> </table>	linear	0.X	±.3		0.XX	±.15		0.XXX	±.050	angular	0°	±°			AIRMAX VSe R.A. RECEPTACLE ASS'Y, 4 PAIR, 72 POS, 6 IMLA, 20MM, W/GUIDE/KEY		dwg no 10135281	rev 1	cat. no.	Product - Customer Drw	sheet 4 of 4
linear	0.X	±.3																				
	0.XX	±.15																				
	0.XXX	±.050																				
angular	0°	±°																				