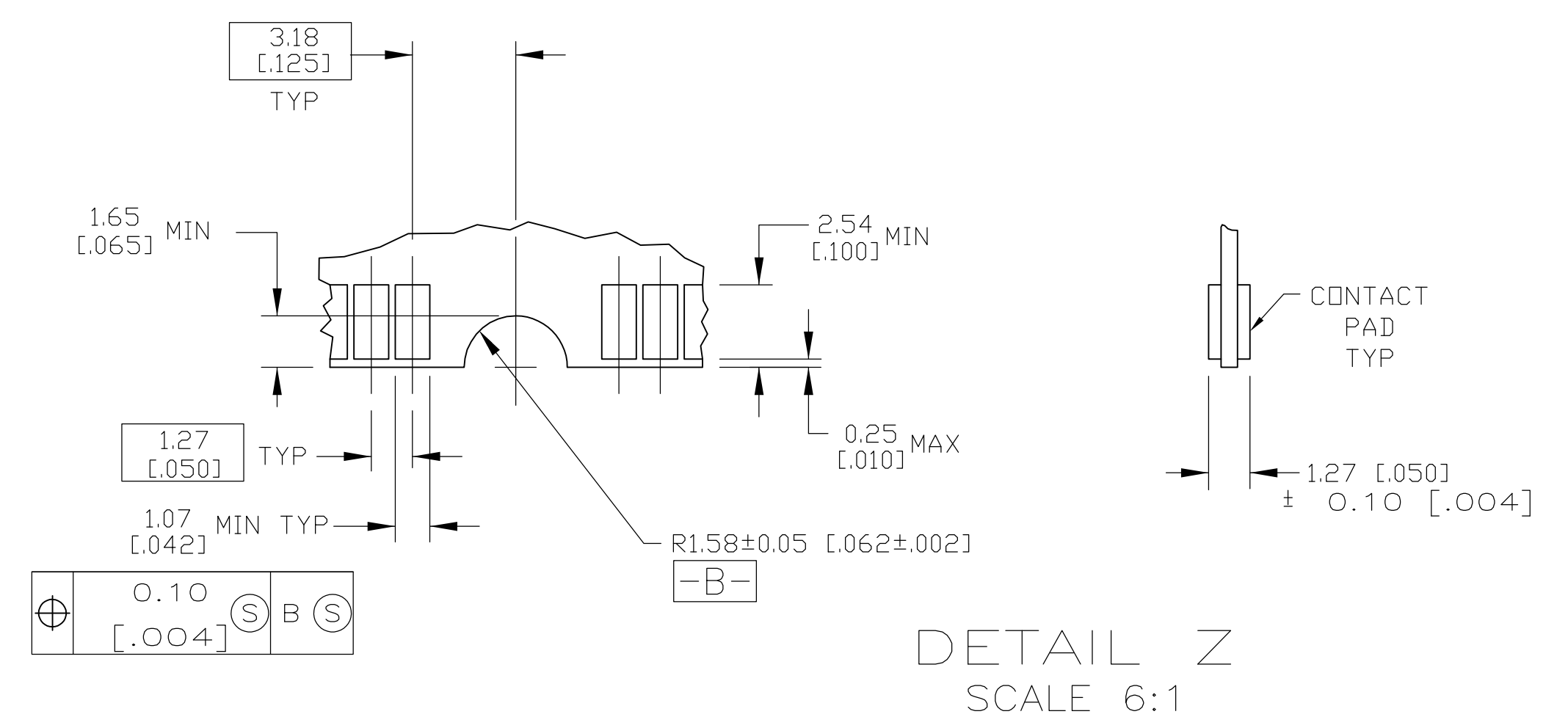
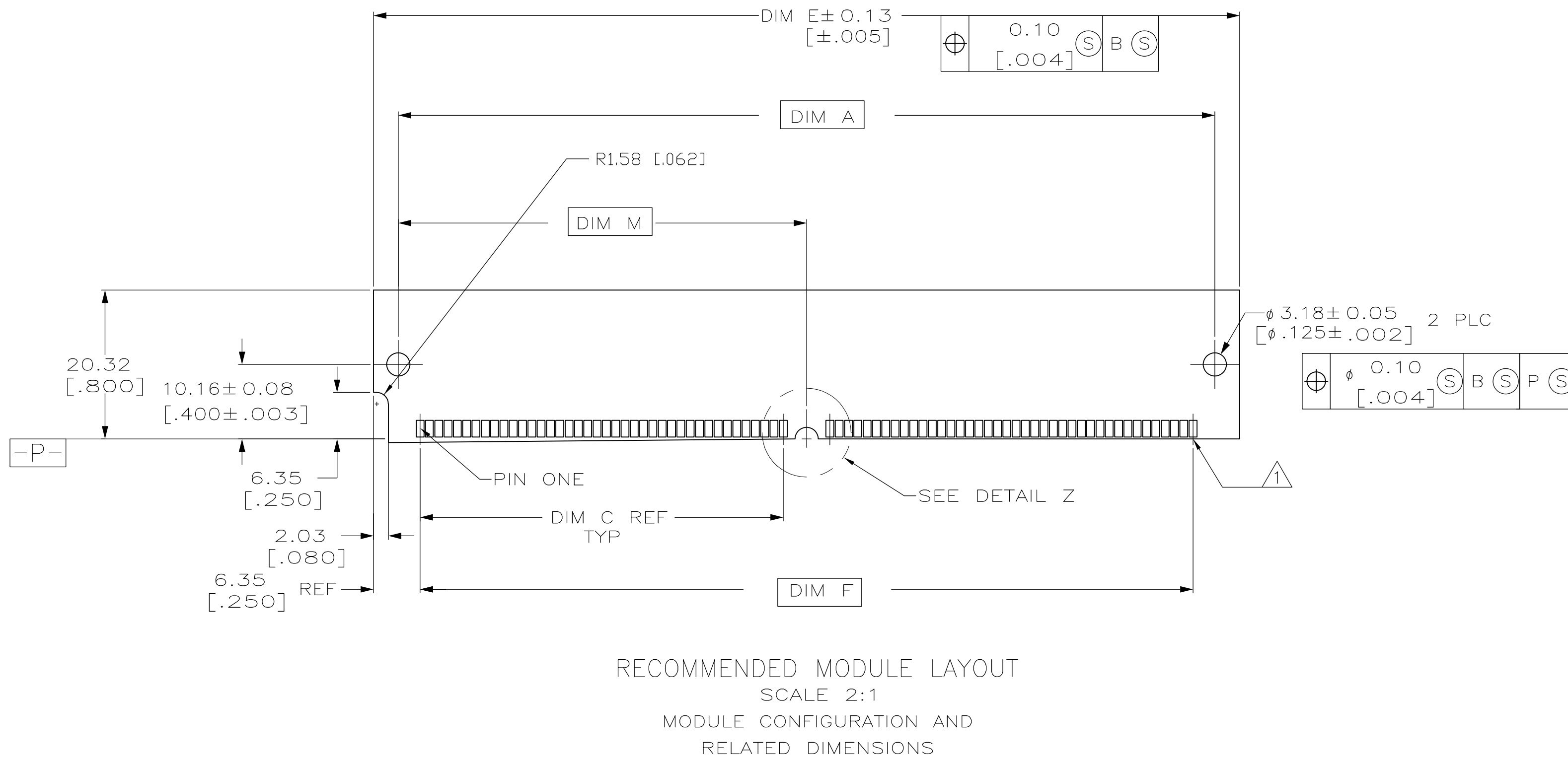
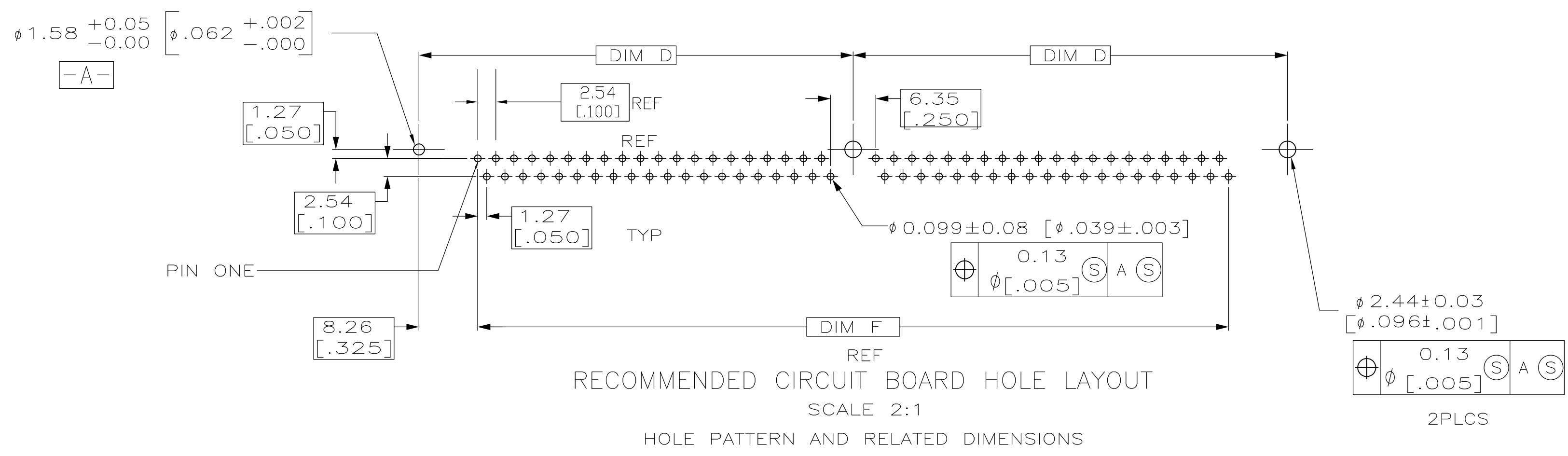


SECTION W-W
SCALE 8:1

THIS DRAWING IS A CONTROLLED DOCUMENT.		DWN: WENKE HE 29MAR05	 TE Connectivity
		CHK: STEVEN YAO 29MAR05	
DIMENSIONS: mm(INCHES)		APVD: TENOMOTO 29MAR05	NAME: SIMM II RTANG
TOLERANCES UNLESS OTHERWISE SPECIFIED:		PRODUCT SPEC: -	1.27 [.050] CL ASSY
0 PLC ± -		APPLICATION SPEC: -	4.06 [.160] HEIGHT
1 PLC ± -			
2 PLC ± -			
3 PLC ± .127(.005)			
4 PLC ± -			
ANGLES ± -			
MATERIAL: HSG:GLASS REINF	FINISH: -	WEIGHT: -	SIZE: A1
		CAGE CODE: 00779	DRAWING NO: C=5382483
		SCALE: 4:1	SHEET 1 OF 2
		REV: A1	



50.60[1.992]	111.76[4.400]	95.25[3.750]	107.95[4.250]	55.88[2.200]	44.45[1.750]	115.57[4.550]	101.19[3.984]	72	7-5382483-2
DIM M	DIM J	DIM F	DIM E	DIM D	DIM C	DIM B	DIM A	POSN	PART NO.

THIS DRAWING IS A CONTROLLED DOCUMENT.		DWN WENKE HE 29MAR05		CHK STEVEN YAO 29MAR05		APVD TENOMOTO 29MAR05		NAME	
DIMENSIONS: mm[INCHES]		TOLERANCES UNLESS OTHERWISE SPECIFIED:		PRODUCT SPEC		APPLICATION SPEC		SIZE CAGE CODE DRAWING NO	
0 PLC ± -		1 PLC ± -		2 PLC ± -		3 PLC ± 0.13[.005]		A1 00779 C=5382483	
4 PLC ± -		ANGLES ± -		MATERIAL		FINISH		WEIGHT	
				CUSTOMER DRAWING		SCALE 4:1		SHEET 2 OF 2 REV A1	

