

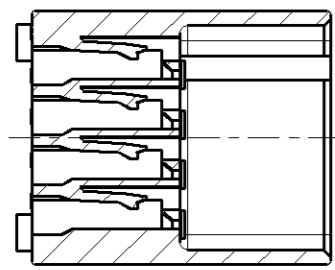
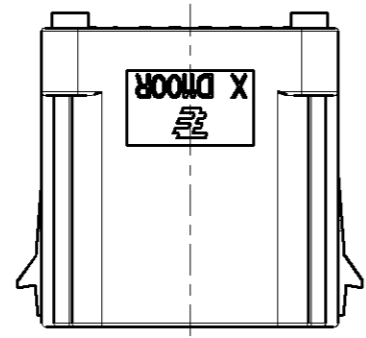
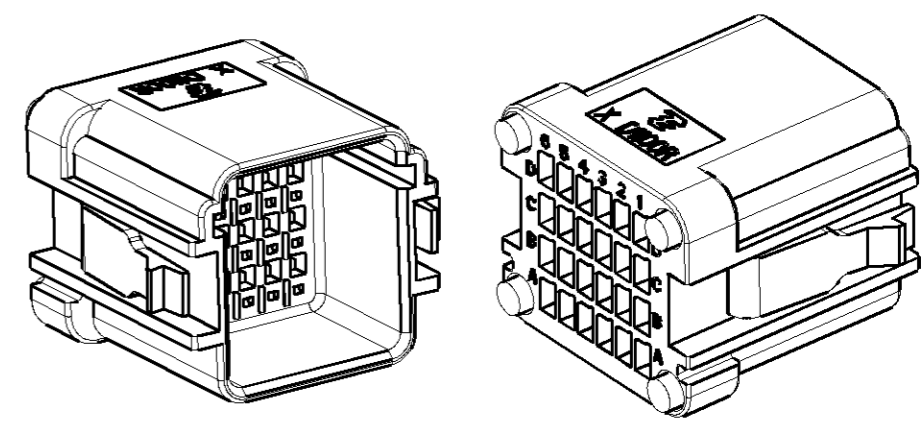
THIS DRAWING IS UNPUBLISHED. RELEASED FOR PUBLICATION 2007
 © COPYRIGHT 2007 BY TYCO ELECTRONICS CORPORATION. ALL INTERNATIONAL RIGHTS RESERVED.

LOC	DIST	REVISIONS					
J		P	LTR	DESCRIPTION	DATE	DWN	APVD
			C	REVISED PER ECR-10-010449	02JUN2010	HMR	T.M

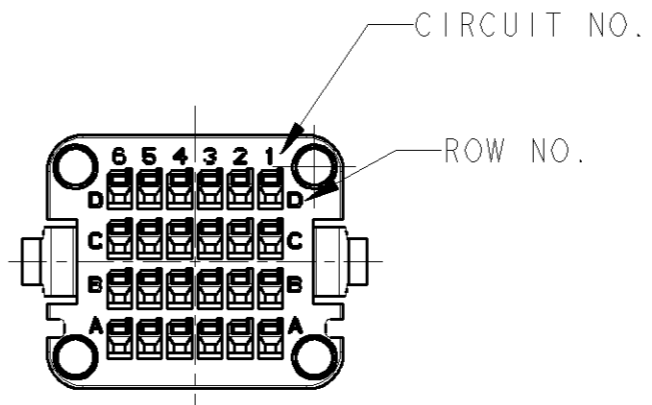
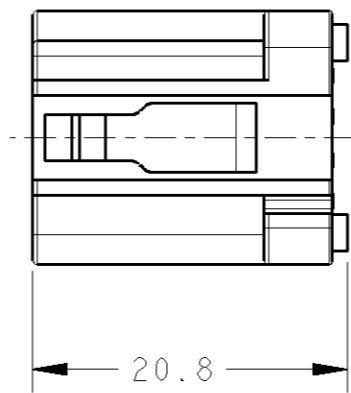
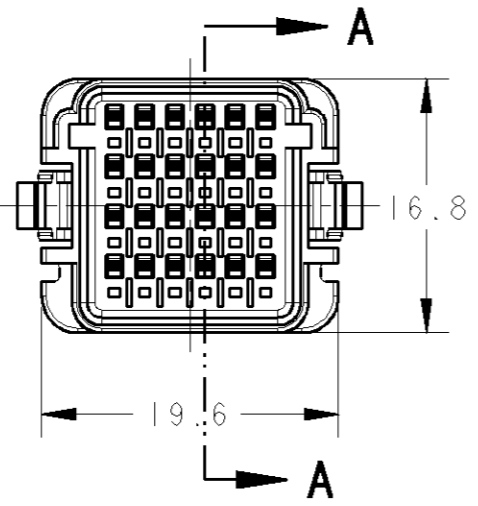
1. MATERIAL:
 HOUSING: POLYBUTYLEN TEREPHTHALATE (94V-0)
 COLOR: BLACK
 RUBBER: NITRILE-BUTADIENE RUBBER
 COLOR: BLACK
 2. THE SHAPE, SIZE AND POSITION OF THE CHARACTER
 SHOW THE OUTLINE. THEY DON'T SHOW DETAILS.

1. 材料:
 ハウジング: ポリアチレンテレフタレート(94V-0)
 色: 黒
 ゴム: ニトリルブタジエンゴム
 色: 黒
 2. 文字の形状、大きさ、および位置については、大略を示すものであり、
 詳細を示すものではありません。

- 1 : AS SHOWN



A - A



THIS DRAWING IS A CONTROLLED DOCUMENT FOR TYCO ELECTRONICS CORPORATION IT IS SUBJECT TO CHANGE AND THE CONTROLLING ENGINEERING ORGANIZATION SHOULD BE CONTACTED FOR THE LATEST REVISION.		DWN T.SAMI 16JAN2007 CHK D.MITSUGI 27MAR2007 APVD D.MITSUGI 27MAR2007		Tyco Electronics Corporation Kawasaki, Japan	
DIMENSIONS: 単位: 概 mm		TOLERANCES UNLESS OTHERWISE SPECIFIED: 一般公差 ±0.3, ±3° 0-PLC ± 1-PLC ± 2-PLC ± 3-PLC ± 4-PLC ± ANGLES ±		NAME 名称 MULTI ENCLOSURE CONN M DYNAMIC D1100 R-TYPE TAB HSG. ASSY 24POS	
MATERIAL 材料 		FINISH 仕上 		PRODUCT SPEC 製品規格 108-78417 APPLICATION SPEC 取付適用規格 411-78277 WEIGHT 重量 4.16 g	
CUSTOMER DRAWING			SIZE A3 CAGE CODE 00779 DRAWING NO. C-1981556		RESTRICTED TO
			SCALE 尺度 2:1		SHEET 1 OF 1 REV C