

4

3

2

1

THIS DRAWING IS UNPUBLISHED. RELEASED FOR PUBLICATION
 © COPYRIGHT - By - ALL RIGHTS RESERVED.

LOC	DIST	REVISIONS			
P	LTR	DESCRIPTION	DATE	DWN	APVD
DW		E	REVISED (ECR-12-019990)	21NOV2012	B.W H.K

2129186-1: AS SHOWN

D

D

C

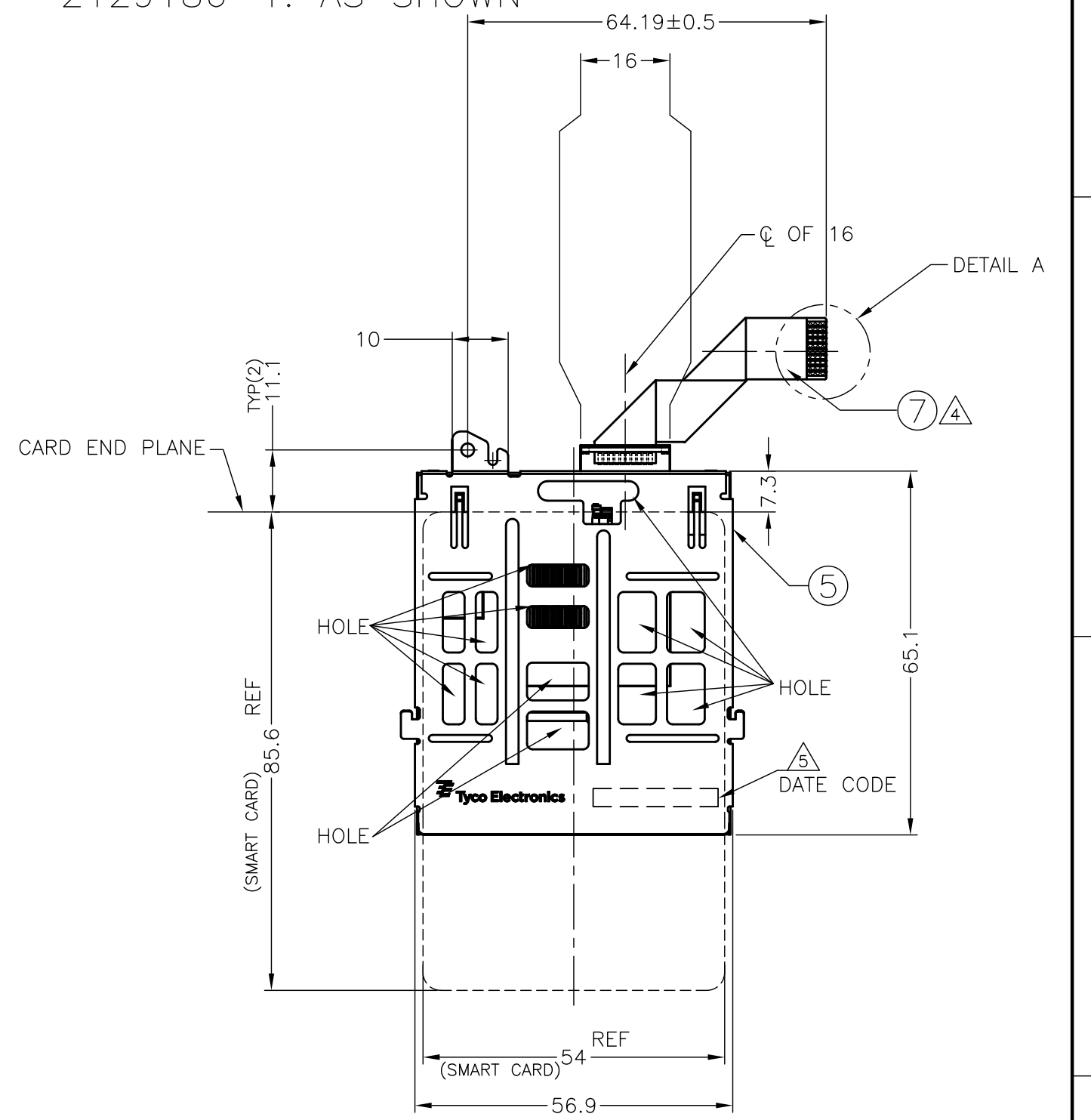
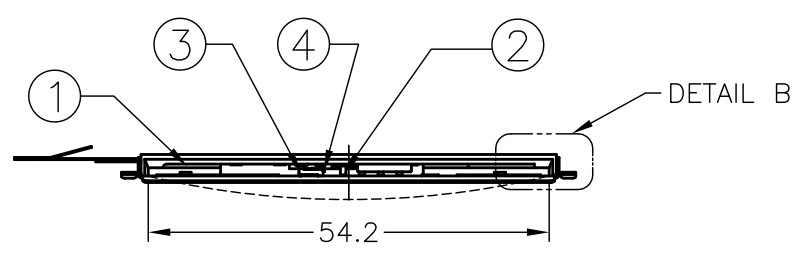
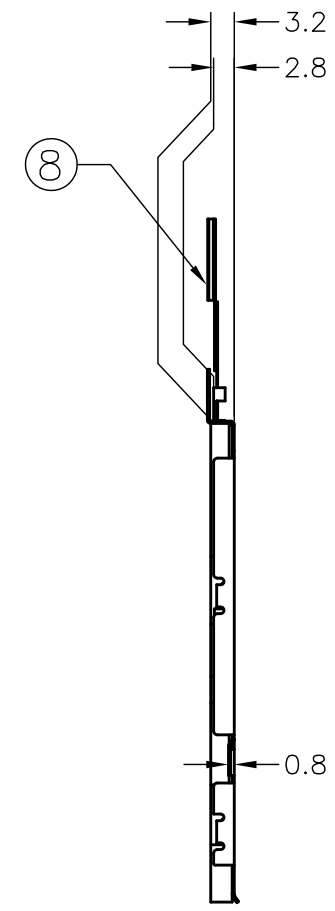
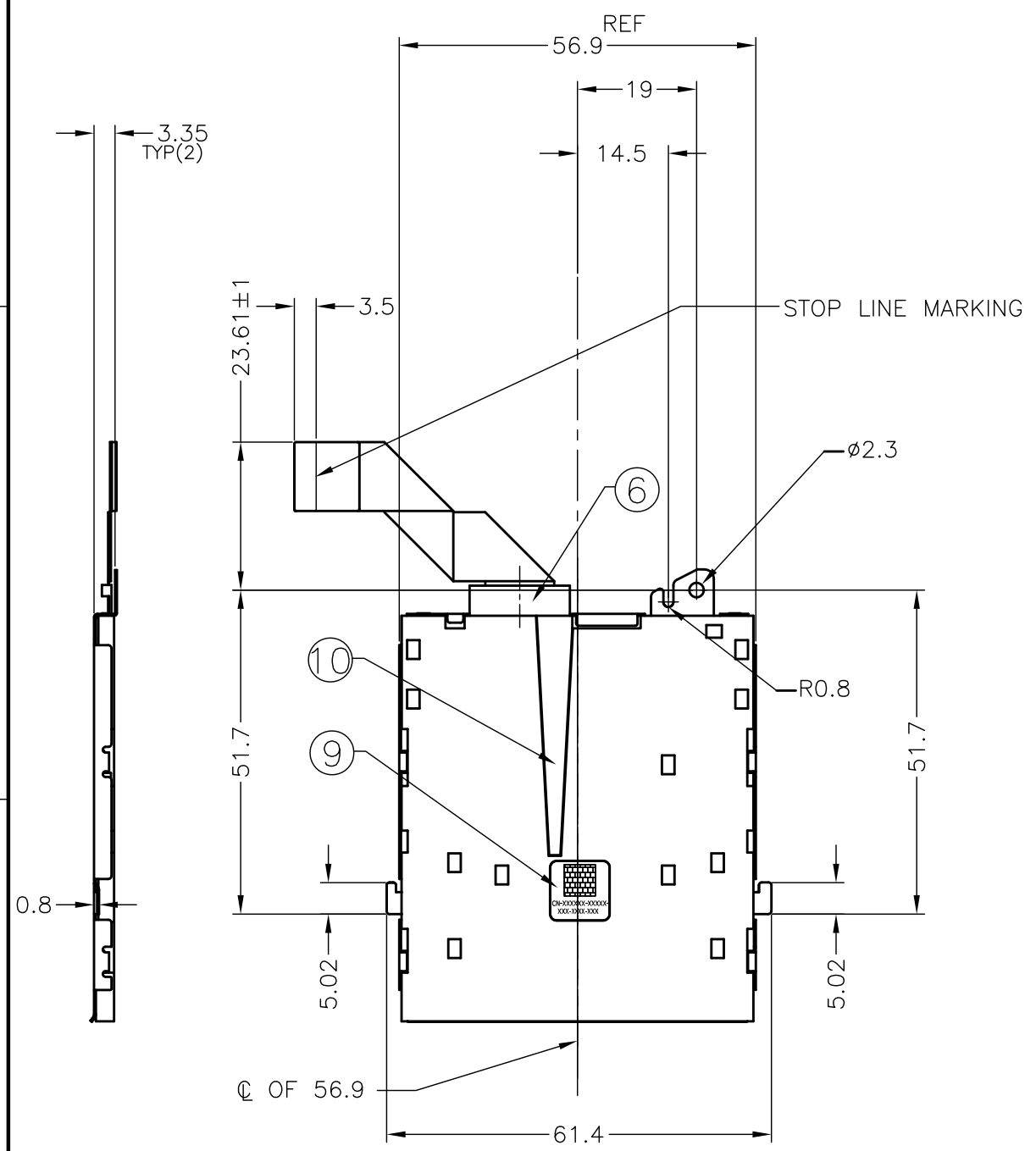
C


B

B

A

A

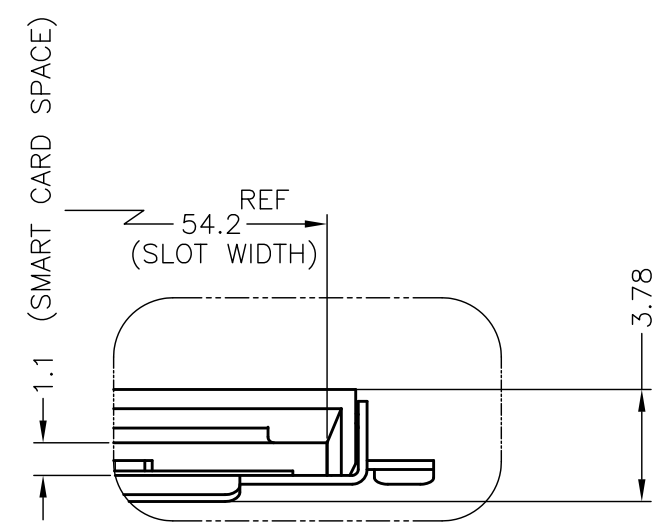


THIS DRAWING IS A CONTROLLED DOCUMENT.		DWN	P.HSU	01JUN'10	 TE Connectivity
		CHK	W.CHEN	29APR'10	
		APVD	H.KODAMA	29APR'10	NAME
		PRODUCT SPEC			SMART CARD CONNECTOR WITH FFC(1.0mm PITCH)
		APPLICATION SPEC			108-99011
		WEIGHT			17.4g
		SIZE	A3	CAGE CODE	00779
		DRAWING NO	2129186		RESTRICTED TO
		CUSTOMER DRAWING			SCALE
		1:1			SHEET
		1 OF 3			REV
					E

THIS DRAWING IS UNPUBLISHED. RELEASED FOR PUBLICATION
 © COPYRIGHT - By - ALL RIGHTS RESERVED.

LOC	DIST	REVISIONS			
P	LTR	DESCRIPTION	DATE	DWN	APVD
-	-	SEE SHEET 1	-	-	-

2129186-1: AS SHOWN

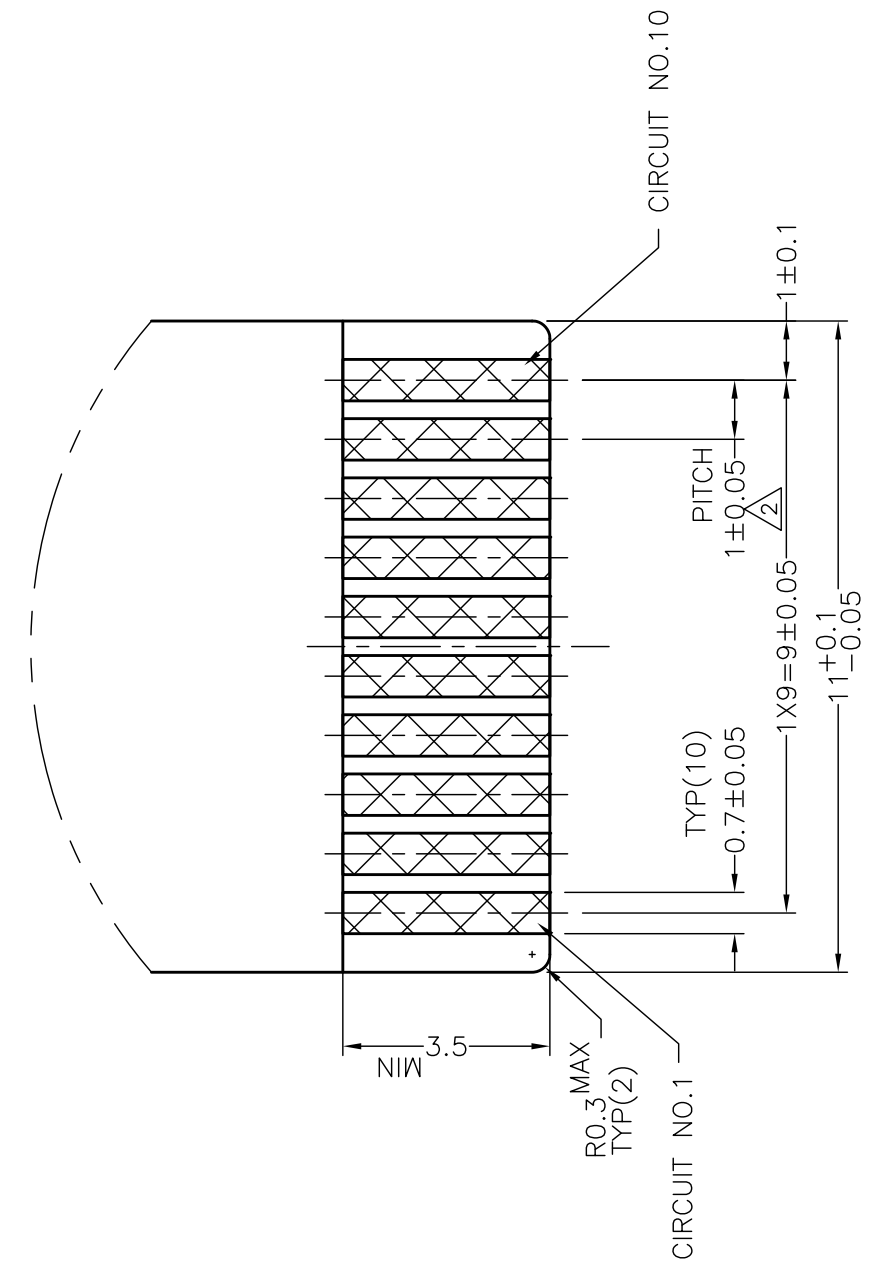


DETAIL B
SCALE 4:1

1	V _{CC}
2	RST
3	CLK
4	RFU4
5	GND
6	V _{PP}
7	I/O
8	RFU8
9	DET1
10	DET2
CIRCUIT NO.	ASSIGN

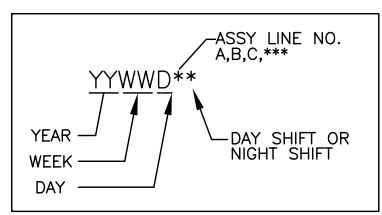
△1 PIN ASSIGNMENT

- △1 FFC PIN ASSIGNMENT (FFC/STIFFENER THICKNESS: 0.3 mm)
- △2 NO STACK TOLERANCE.
- △3 NORMAL OPEN (PIN SHORT WHEN SMARTCARD INSERTED).
- △4 APPLICABLE FPC/FFC CONNECTOR; TE P/N:1-2041084-0
- △5 DATE CODE



DETAIL A

⑩	MYLAR	1	POLYESTER FILM, COLOR:BLACK
⑨	PPID LABEL	1	POLYIMIDE
⑧	PULL TAB	1	POLYESTER, UL94 V-0
⑦	FFC CABLE	1	MATERIAL: THERMOPLASTICS INSULATED; COPPER STIFFENER BOARD : POLYESTER,UL94V-0 ; COLOR:BLUE FINISH: MATTE TIN PLATING 0.001mm MIN.,
⑥	PWB	1	FR-4(THK:0.4mm)
⑤	METAL SHELL	1	STAINLESS STEEL
④	SWITCH A	1	MATERIAL: CONTACTS: PHOSPHOR BRONZE
③	SWITCH B	1	FINISH: CONTACT AREA: GOLD PLATING 0.0002mm MIN., SOLDER TINE: MATTE TIN PLATING 0.002mm MIN., Ni 0.00127mm MIN. UNDERPLATING ALL OVER.
②	SIGNAL CONTACT	8	
①	HOUSING	1	HIGH TEMP THERMOPLASTICS, COLOR:BLACK, UL94 V-0
ITEM	NAME	QTY	MATERIAL/FINISH



THIS DRAWING IS A CONTROLLED DOCUMENT.		DWN		TE Connectivity	
DIMENSIONS: mm		CHK			
TOLERANCES UNLESS OTHERWISE SPECIFIED:		APVD		NAME	
6 PLC ± 1 PLC ± ±0.25 2 PLC ± ±3° 3 PLC ± ± 4 PLC ± ± ANGLES ± ±		PRODUCT SPEC		SMART CARD CONNECTOR WITH FFC(1.0mm PITCH)	
MATERIAL		FINISH		APPLICATION SPEC	
		WEIGHT		SIZE	
		CUSTOMER DRAWING		CAGE CODE	
				DRAWING NO	
				RESTRICTED TO	
				A3 00779	
				G-2129186	
				SCALE	
				8:1	
				SHEET	
				2 of 3	
				REV	
				E	

4

3

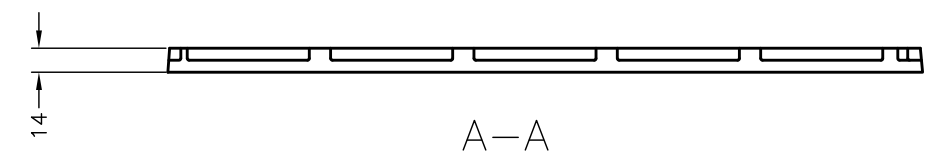
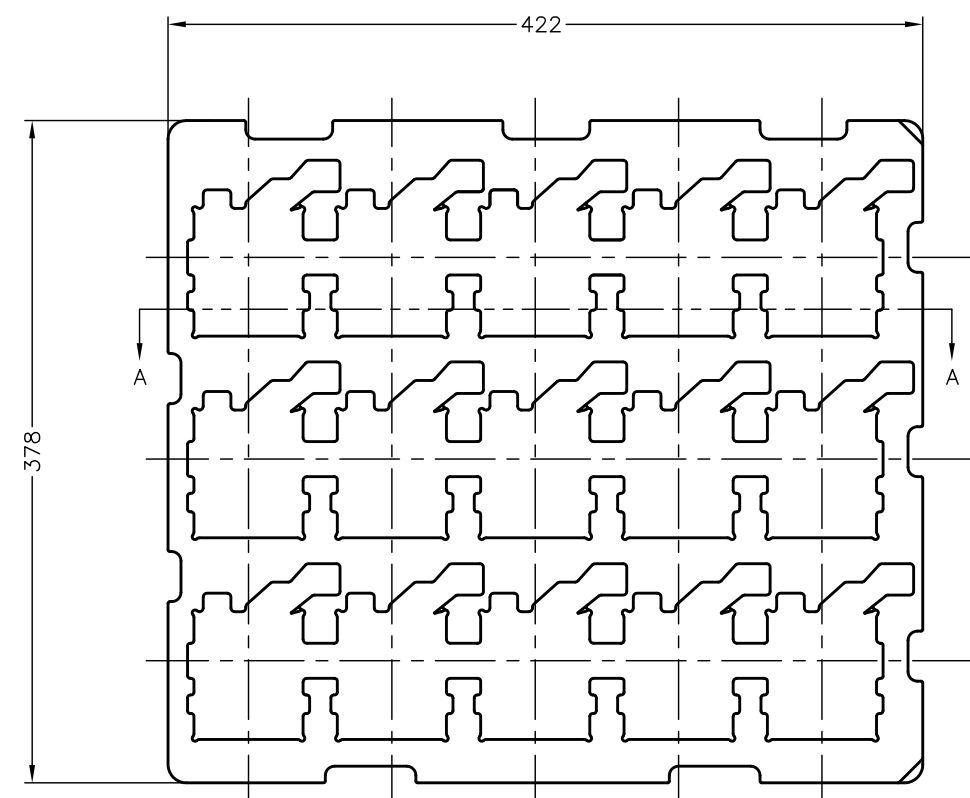
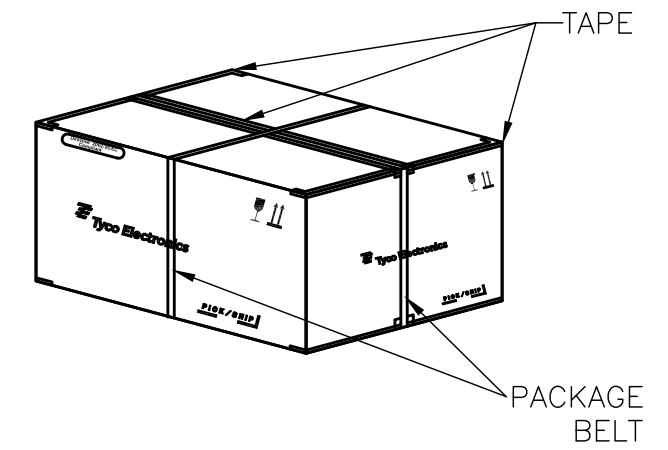
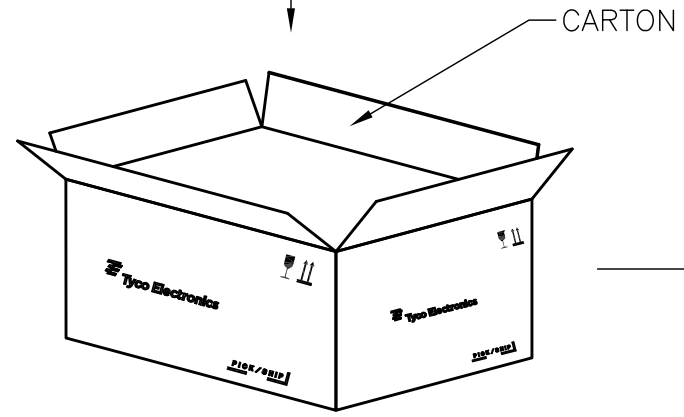
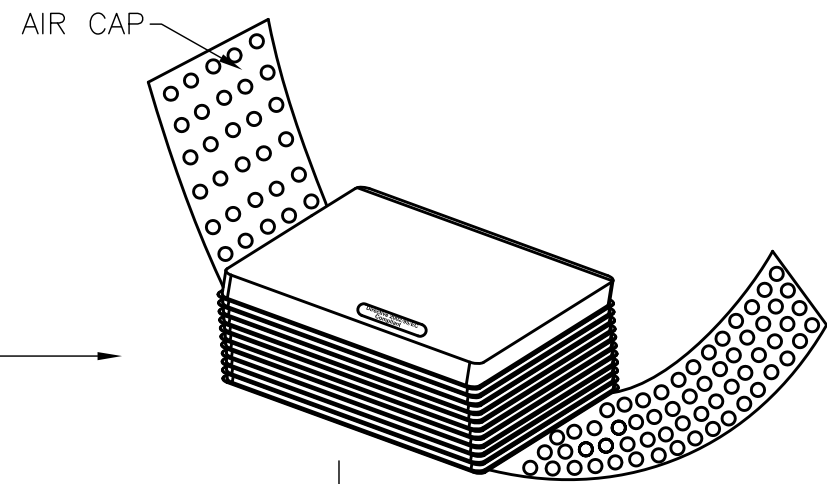
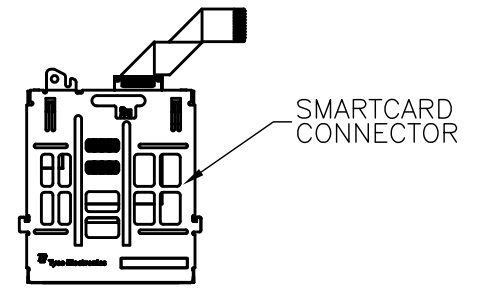
2

1

THIS DRAWING IS UNPUBLISHED. RELEASED FOR PUBLICATION
 © COPYRIGHT - By - ALL RIGHTS RESERVED.

LOC	DIST	REVISIONS					
DW		P	LTR	DESCRIPTION	DATE	DWN	APVD
		-		SEE SHEET 1	-	-	-

2129186-1: AS SHOWN



- 6. PACKING MATERIAL:
 TRAY: PS, COLOR: CLEAR, t=0.8
 CARTON : CORRUGATED FIBERBOARD
- 7. CARTON DIMENSION: 433X383X150

15	10	150
PCS/TRAY	TRAY/CARTON	TOTAL Q'TY

THIS DRAWING IS A CONTROLLED DOCUMENT.		DWN	TE Connectivity	
DIMENSIONS: mm		CHK	NAME	
TOLERANCES UNLESS OTHERWISE SPECIFIED: 0 PLC ± 1 PLC ± ±3 2 PLC ± ±3 3 PLC ± ±3 4 PLC ± ANGLES ±		APVD	SMART CARD CONNECTOR WITH FFC(1.0mm PITCH)	
MATERIAL		PRODUCT SPEC	SIZE	CAGE CODE
FINISH		APPLICATION SPEC	A3	00779
		WEIGHT	DRAWING NO. 2129186	
		CUSTOMER DRAWING	RESTRICTED TO	
		SCALE	SHEET	REV
		FREE	3 of 3	E