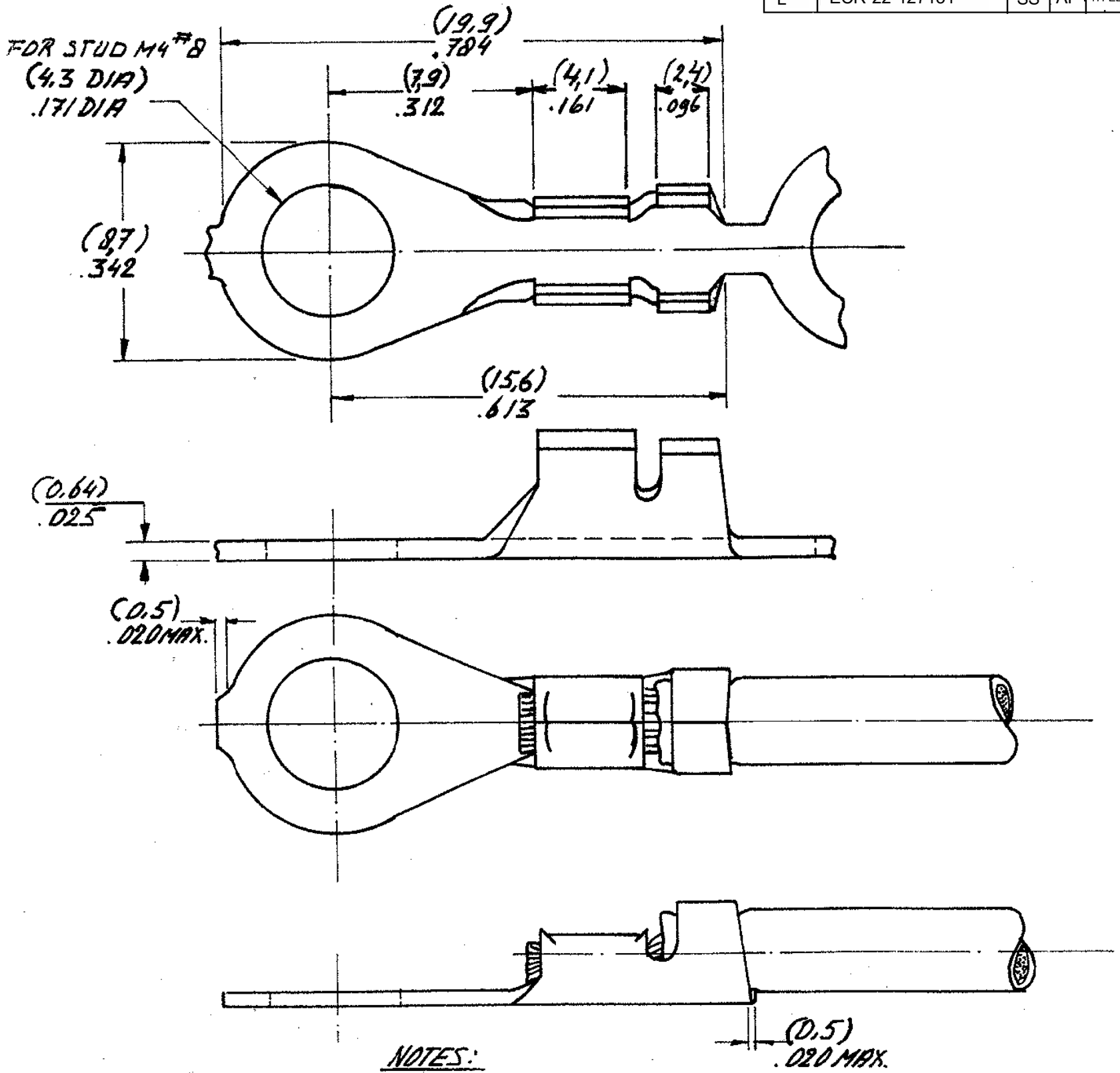


DRAWING MADE IN AMERICAN PROJECTION

LTR	REVISION RECORD	DWN	CHK	DATE
L	ECR-22-127131	SS	AF	17FEB2022

C-160101



NOTES:

4 OBSOLETE PARTS: OBSOLETE CIS STREAMLINING PER D.RENAUD/D.SINISI

- 1 FOR USE ON MINIATURE APPLICATORS (LEFT-RIGHT FEED) AMP. D.I.ATOR APPLICATION.
- 2 FOR USE ON STANDARD AND MINIATURE APPLICATORS.
- 3 REELED WITH PAPER COVER.

CUSTOMER COPY FOR REFERENCE ONLY



160101-9	STEEL	NICKEL PLATED
160101-8	PHOSPH. BRONZE	---
160101-7	BRASS	---
160101-6	STEEL	NICKEL PLATED
160101-4	BRASS	---
160101-5	PHOSPH. BRONZE	---
160101-2	BRASS	TIN PLATED
160101-1	BRASS	---

WIRE-RANGE 20-16 AWG 0.5-1.5 mm ²	INSUL-RANGE .080-.120 DIA (2.0-3.0)	FIRST USED
--	---	------------

ORDER NO.	MATERIAL	PLATING
DR U. SUSTEREN	25/DATE 11.80	DE DATE
CHK I. 29	29/DATE 11.80	APP DATE 29.1.80

SCALE N.T.S.	SIZE A	NO C-160101	REV L
NAME RING TONGUE WITH INS. SUPPORT			

DIMENSIONS IN (MM) DO NOT SCALE PRINT