

**Ratings**

Temperature: -40~70 °C  
Voltage: 150 V

**Conductor**

Gauge: 22 AWG 0.33 mm<sup>2</sup>  
Material: tinned copper strands  
Strand size:  $\varnothing 0.08 \times 65$   
Resistance at 20 °C: 59.4  $\Omega$  /km max

**Insulator**

Material: HDPE  
Color: purple, orange, green, blue, yellow, white, black, red  
Diameter:  $\varnothing 1.25 \pm 0.10$  mm  
Nominal thickness: 0.25 mm  
Resistance at 20 °C: 100 M $\Omega$  /km min

**Shield**

Type: spiral  
Material: tinned copper strands  
Stranding:  $\varnothing 0.08$  mm  
Coverage: 90 % min

**Outer jacket**

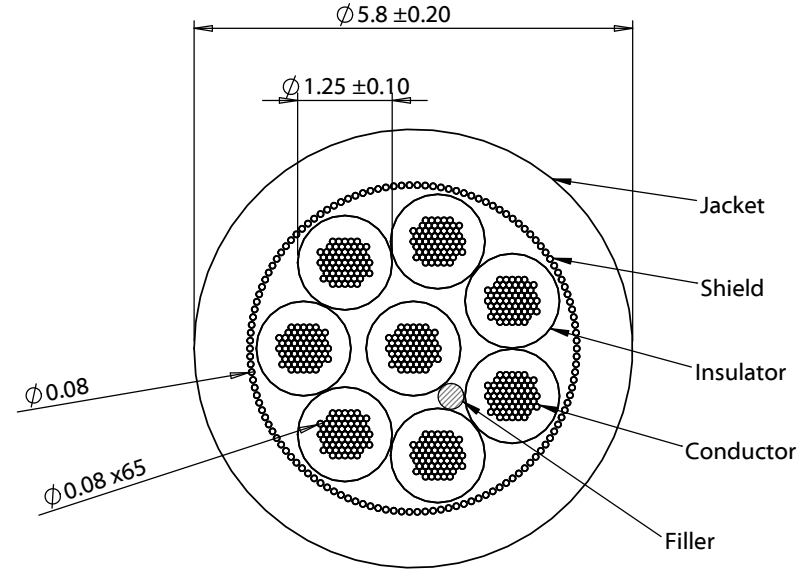
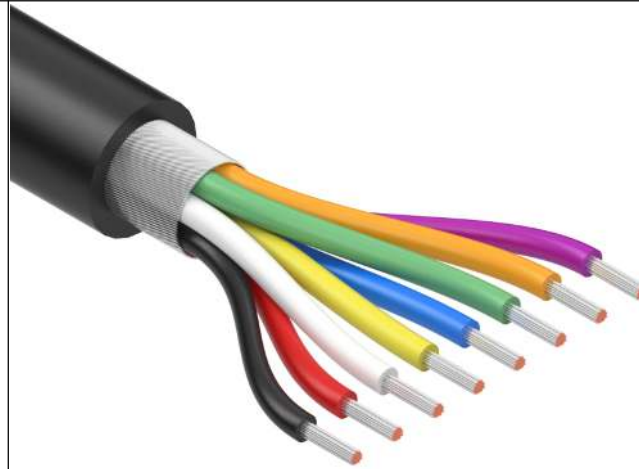
Material: TPU  
Color: black  
Nominal thickness: 0.75 mm  
Diameter:  $\varnothing 5.8 \pm 0.20$  mm

**Filler**

Material: aramid fiber

**Tests**

Tensile strength: 35.7 kgf min  
Dielectric test: 1500 V dc for 1 minute without breakdown  
Bend test at 200 g,  $\pm 90^\circ$ , 30 cycles /min: 15,000 cycle minimum



Revision:	Date:	Description:
A	3/23/2021	Initial release

Prepared:  
**AW**  
Digitally signed by AW  
Date: 2021.03.23  
16:16:28 -07'00'

Verified:  
**AG**  
Digitally signed by AG  
Date: 2021.03.31 16:59:26  
-07'00'

Dimensions are in millimeters.  
Tolerances:  
X:  $\pm 0.5$  mm  
X.X:  $\pm 0.3$  mm  
X.XX:  $\pm 0.05$  mm

Notes:  
RoHS compliant  
Jacket meets ISO 10993 Biological Compatibility  
Phthalate and halogen free  
Function test: no open, no short, no intermittent

Description:  
Wire, 8C TS, 22 AWG, 150V, 70C, 5.8 mm, shielded, TPU, 75A, WBL

**TENSILITY**

tel 1.541.323.3228 800 877.670.7118  
fax 1.541.323.4202 web tensility.com

Size:	Part number:
A	<b>30-01878</b>
Scale: 10:1	

Sheet 1 of 1