

4

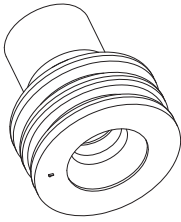
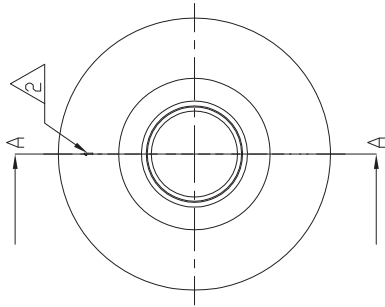
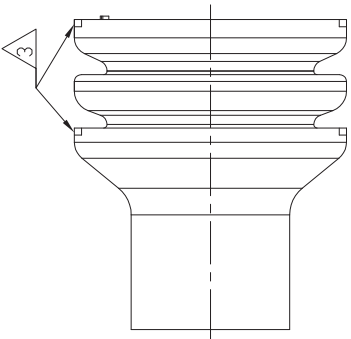
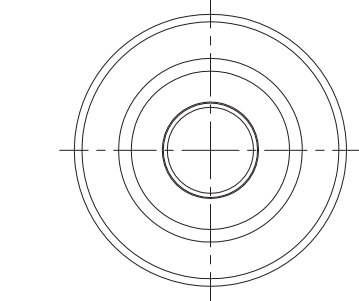
3

2

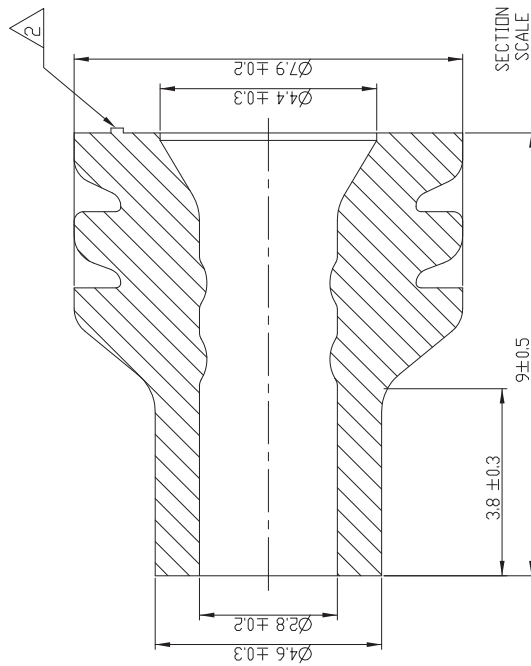
1

THIS DRAWING IS UNPUBLISHED.
© COPYRIGHT 20 BY -
RELEASED FOR PUBLICATION
ALL RIGHTS RESERVED.

REVISIONS		DATE	DWN	APVD
P	LTR	DESCRIPTION		
A1		REVISED (ECR-16-007323)	JM	JW



ISO VIEW



SECTION A-A
SCALE 10:1

- NOTES:
- (A) MATERIAL: NBR(HARDNESS 40 ±5°, LUBRICATED CONTAIN 5% OIL)
 - (B) CAVITY MARK: 0.25mm LETTERS (MAX. 0.1mm RAISED)
 - (C) APPLICABLE OPTION FIGURE BY MANUFACTURING PROCESS BUT MUST BE NO PROBLEM IN FUNCTION.

BLACK		85011-1	A
COLOR	MATERIAL	P/N	REV.



TE Connectivity

THIS DRAWING IS A CONTROLLED DOCUMENT.		DWN: JM JEON		NAME: TE Connectivity	
TOLERANCES UNLESS OTHERWISE SPECIFIED:		CHK: -	APVD: JW JUNG	PRODUCT SPEC: -	
0 PLC ±	1 PLC ±	APPLICATION SPEC: -		WEIGHT: -	
2 PLC ±	3 PLC ±	MATERIAL: -		CUSTOMER DRAWING: -	
4 PLC ±	FINISH: -	SCALE: 7:1		SHEET: 1 OF 1	
SEE NOTE.		REV: A1		REV: A1	

WIRE SEAL FOR 187 SLD 2P CONN'R
(INSULATION DIA: Ø2.9-3.8mm)

SIZE: A3	CAGE CODE: -	DRAWING NO: C-85011	RESTRICTED TO: -
----------	--------------	---------------------	------------------