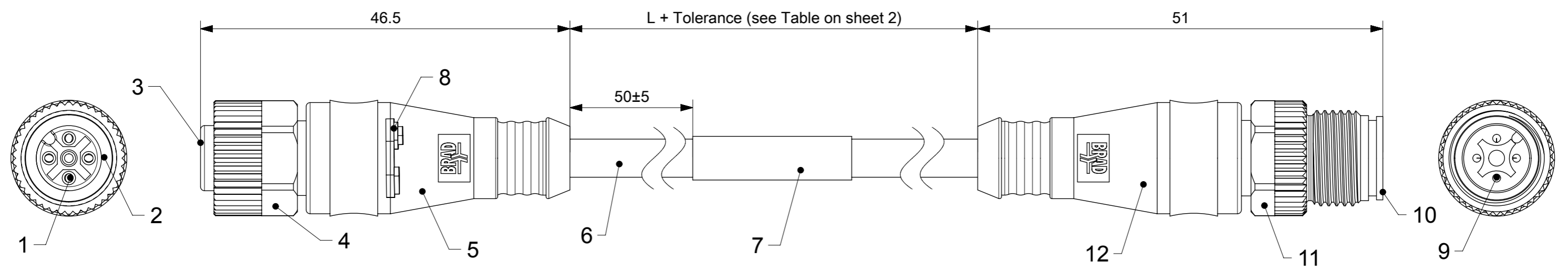
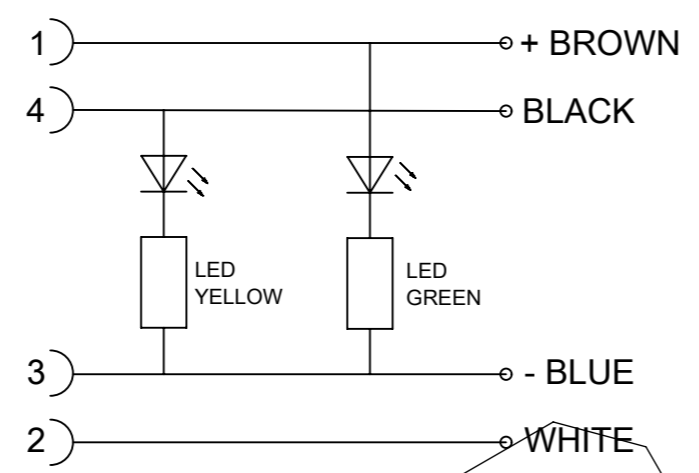


FEMALE PLUG M12 STRAIGHT PNP LED / MALE PLUG M12 STRAIGHT

REVISION A1
 ADDED NEW PNs,
 CABLE & OPTIONS
 IN THE MATRIX
 (SEE SH 2)



PNP WIRING



BILL OF MATERIALS

ITEM	QTY.	DESCRIPTION	MATERIAL	FINISH
12	-	OVERMOULDING BLACK	TPU	---
11	1	COUPLING NUT MALE	BRASS	NICKEL
10	1	INSERT MALE BLACK	PUR	---
9	4	CONTACT M12 MALE	BRASS	SELECTIVE GOLD OVER NICKEL
8	1	PCB PNP	---	---
7	1	LABEL YELLOW	VINYL	---
6	-	CABLE	SEE SHEET 2	---
5	-	OVERMOULDING TRANSPARENT	TPU	---
4	1	COUPLING NUT FEMALE	BRASS	NICKEL
3	1	INSERT FEMALE BLACK	PUR	---
2	1	ORING RED	FPM	---
1	4	CONTACT M12 FEMALE	BRASS	SELECTIVE GOLD OVER NICKEL

CONTACT POSITION FRONT VIEW:

4 POLES FEMALE		4 POLES MALE	
PIN	WIRE	PIN	WIRE
1	BROWN	1	BROWN
2	WHITE	2	WHITE
3	BLUE	3	BLUE
4	BLACK	4	BLACK
5	-	5	-

CODING REQUIRED TO
IEC 61076-2-101

PRE-RELEASE
 REFERENCE
 USE ONLY

THIS DRAWING CONTAINS INFORMATION THAT IS PROPRIETARY TO MOLEX ELECTRONIC TECHNOLOGIES, LLC AND SHOULD NOT BE USED WITHOUT WRITTEN PERMISSION

QUALITY SYMBOLS FA = 0 FE = 0 FB = 0 FC = 0 FD = 0 FE = 0 FF = 0 FG = 0 FH = 0 FI = 0 FJ = 0 FK = 0 FL = 0 FM = 0 FN = 0 FO = 0 FP = 0 FQ = 0 FR = 0 FS = 0 FT = 0 FU = 0 FV = 0 FW = 0 FX = 0 FY = 0 FZ = 0	2016/09/09 DRWN: AKONDRACIUK CHK'D: APPR:	GENERAL TOLERANCES (UNLESS SPECIFIED) ANGULAR TOL ± 1.0 ° 4 PLACES ± 3 PLACES ± 2 PLACES ± 0.05 1 PLACE ± 0.1 0 PLACES ± 0.2 DRAFT WHERE APPLICABLE MUST REMAIN WITHIN DIMENSIONS	DIMENSION UNITS: MM SCALE: 2:1 DRWN BY: APAWLAK01 DATE: 2016/05/16 CHK'D BY: DATE: APPR BY: MIWASIECZKO DATE: 2016/05/20 DRAWING SIZE: A3 THIRD ANGLE PROJECTION	molex [®]
	CSE M12 PNP 4P AC FE STR WSOR MA STR XM			
	PRODUCT CUSTOMER DRAWING			
	SERIES: 120067	MATERIAL NUMBER: SEE SHEET 2	CUSTOMER: GENERAL MARKET	
DOCUMENT NUMBER: 1200678423		DOC TYPE: PSD	DOC PART: 000	SHEET NUMBER: 1 OF 2

ENGINEERING NO. - NUMERICAL CODE (Available parts see PART LIST table. Others on request).

REVISION A1 ADDED NEW PNs, CABLE & OPTIONS IN THE MATRIX

8 8 4 0 P 6 B 3 X X X X X X X

88 = M12x1 Double ended

Poles: 4 = 4 Poles

Heads style: 0P6 = Female Straight PNP LED / Male Straight

Cable: B30 = 0.34mm² TPU Black B36 = 0.34mm² TPU Orange

Units: M = Meter

Length Examples: 005 = 0.5 m 010 = 1 m 020 = 2 m 050 = 5 m 100 = 10 m 150 = 15 m 200 = 20 m

Special: H=2pcs. of I/D Carrier Coupling Nut: Blank= KNU/HEX 7=Teflon KNU Overmould: Blank= Black A=Grey Y=Yellow


CABLE TYPE	NO. OF WIRES	CROSS SECTION	CABLE JACKET	UL	CSA	STATIC: TEMP. / BENDING RADIUS	DYNAMIC: TEMP. / BENDING RADIUS	DRAG CHAIN	SHIELD
B30	4	0.34mm ²	TPU BLACK	UL STYLE 21215	YES	-40°C to +90°C, 5xD	-25°C to +80°C, 7.5xD	-	-
B36	4	0.34mm ²	TPU ORANGE	UL STYLE 21215	YES	-40°C to +90°C, 5xD	-25°C to +80°C, 7.5xD	-	-

CABLE LENGTH TOLERANCES		
LENGTH	TOLERANCE	
shorter 1m	+40 mm	-0 mm
1m-5m	+60 mm	-0 mm
5m-10m	+80 mm	-0 mm
10m-20m	+140 mm	-0 mm
20m-30m	+160 mm	-0 mm
longer 30m	+1%	-0 mm

PART LIST

MOLEX PN	ENGINEERING PN	CABLE LENGTH IN METER
1200678423	8840P6B30M010	1m
1200678424	8840P6B30M020	2m
1200678478	8840P6B30M030	3m
1200678425	8840P6B30M050	5m
1200678426	8840P6B30M100	10m
1200678489	8840P6B36M0107Y	1m
1200678490	8840P6B36M0207Y	2m
1200678491	8840P6B36M0307Y	3m
1200678492	8840P6B36M0507Y	5m
1200678493	8840P6B36M1007Y	10m
1200678494	8840P6B36M1507Y	15m
1200678495	8840P6B36M2007Y	20m

PRE-RELEASE REFERENCE USE ONLY

THIS DRAWING CONTAINS INFORMATION THAT IS PROPRIETARY TO MOLEX ELECTRONIC TECHNOLOGIES, LLC AND SHOULD NOT BE USED WITHOUT WRITTEN PERMISSION											
QUALITY SYMBOLS FA = 0 FE = 0 FB = 0 FV = 0 FC = 0 FX = 0 FS = 0 FT = 0	2016/09/09 108304 DRWN: AKONDRACIUK CHK'D: APPR:	GENERAL TOLERANCES (UNLESS SPECIFIED)		DIMENSION UNITS	SCALE	 CSE M12 PNP 4P AC FE STR WSOR MA STR XM					
		ANGULAR TOL ± 1.0 °		MM	1:1						
		4 PLACES ±	3 PLACES ±	APAWLAK01	2016/05/16						
		2 PLACES ± 0.05	1 PLACE ± 0.1	CHK'D BY	DATE	PRODUCT CUSTOMER DRAWING					
		0 PLACES ± 0.2	DRAFT WHERE APPLICABLE MUST REMAIN WITHIN DIMENSIONS	MIWASIECZKO	2016/05/20	SERIES	MATERIAL NUMBER	CUSTOMER			
		A3	THIRD ANGLE PROJECTION	120067	SEE TABLE	GENERAL MARKET					
				DOCUMENT NUMBER		DOC TYPE	DOC PART	SHEET NUMBER			
				1200678423		PSD	000	2 OF 2			