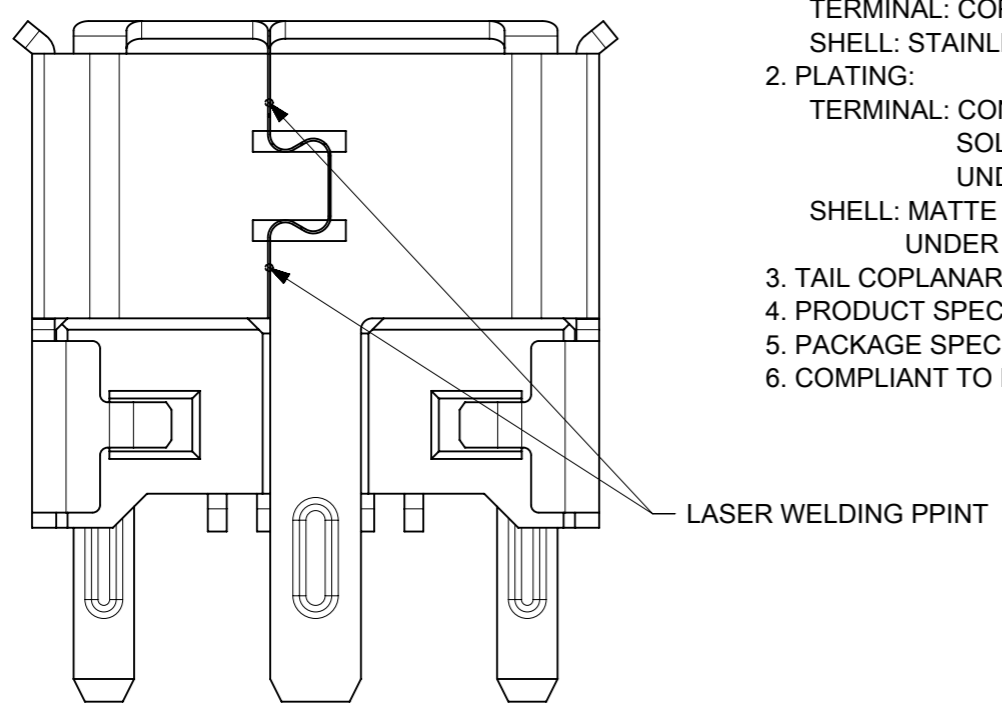
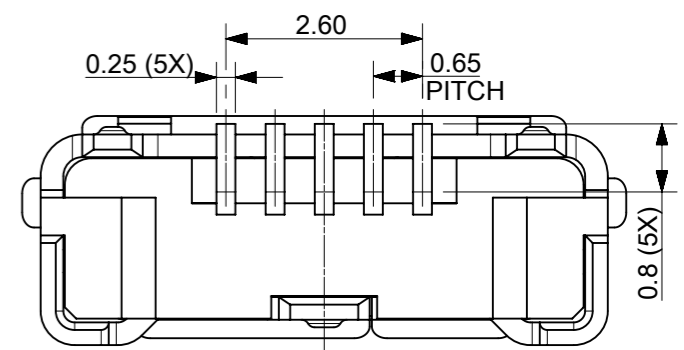
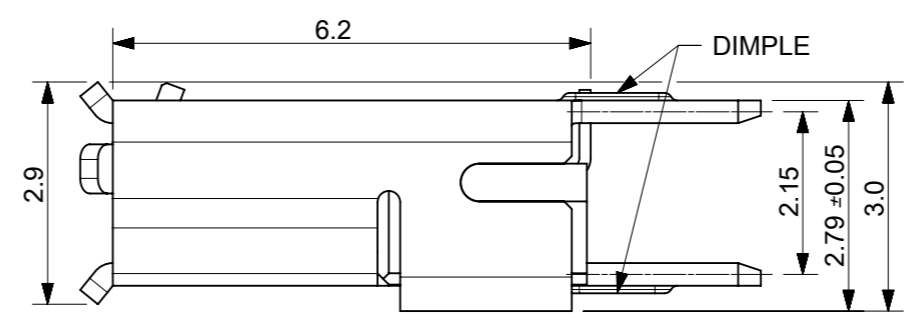
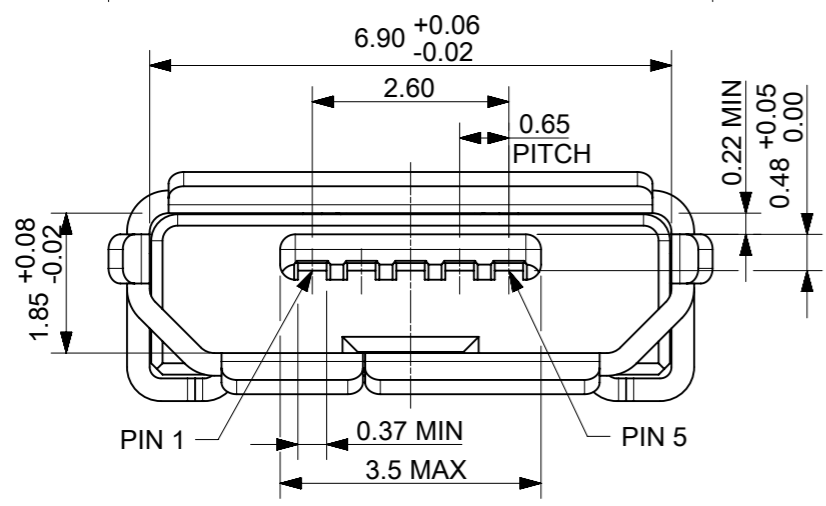


RECOMMENDED PCB LAYOUT (THICKNESS: 1.6mm)
GENERAL TOLERANCE: ±0.05



- NOTES:
- MATERIAL:
HOUSING & COVER: HIGH TEMPERATURE THERMOPLASTIC, BLACK, UL94V-0;
TERMINAL: COPPER ALLOY, THICKNESS: 0.15mm;
SHELL: STAINLESS STEEL, THICKNESS: 0.30mm.
 - PLATING:
TERMINAL: CONTACT AREA: GOLD FLASH OVER MINIMUM 0.75 MICRON Pd/Ni;
SOLDER TAIL AREA: GOLD FLASH;
UNDER PLATING: NICKEL 2.0 MICRON MINIMUM.
SHELL: MATTE TIN 1.27 MICRON MINIMUM;
UNDER PLATING: NICKEL 1.27 MICRON MINIMUM.
 - TAIL COPLANARITY 0.08mm MAXIMUM.
 - PRODUCT SPECIFICATION: PS-105133-001.
 - PACKAGE SPECIFICATION: PK-105133-001.
 - COMPLIANT TO RoHS DIRECTIVE 2011/65/EU AND ELV 2000/53/EC.

5	GND
4	ID
3	D+
2	D-
1	VBUS
PIN	NAME

PIN ASSIGNMENT

105133-0102	1.70
105133-0101	2.30
PART NUMBER	DIM A

THIS DRAWING CONTAINS INFORMATION THAT IS PROPRIETARY TO MOLEX ELECTRONIC TECHNOLOGIES, LLC AND SHOULD NOT BE USED WITHOUT WRITTEN PERMISSION	
DIMENSION UNITS: mm	SCALE: NTS
CURRENT REV DESC: ADD DIMPLE ON SHELL	
molex	
SALES DRAWING FOR USB, MICRO-B VERTICAL TYPE	
PRODUCT CUSTOMER DRAWING	
GENERAL TOLERANCES (UNLESS SPECIFIED)	EC NO: 604725
ANGULAR TOL ± 3.0°	DRWN: XQZHANG 2018/09/20
4 PLACES ±	CHK'D: AYIN 2019/04/09
3 PLACES ±	APPR: AYIN 2019/04/09
2 PLACES ± 0.2	INITIAL REVISION:
1 PLACE ± 0.25	DRWN: XQZHANG 2014/11/03
0 PLACES ±	APPR: XQZHANG 2014/11/03
DRAFT WHERE APPLICABLE MUST REMAIN WITHIN DIMENSIONS	THIRD ANGLE PROJECTION
	DRAWING: A3-SIZE
	SERIES: 105133
	MATERIAL NUMBER: SEE TABLE
	CUSTOMER: GENERAL MARKET
	SHEET NUMBER: 1 OF 1