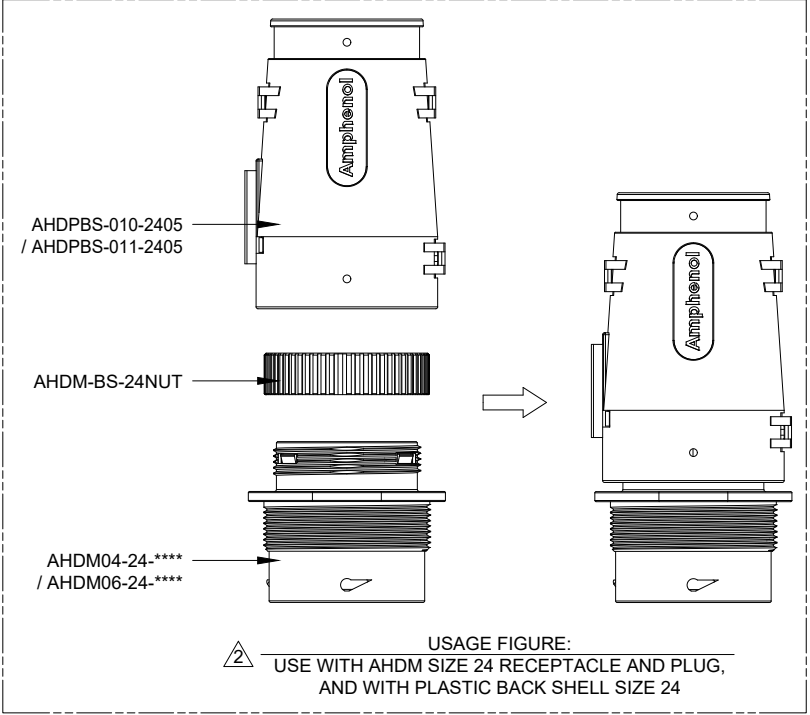
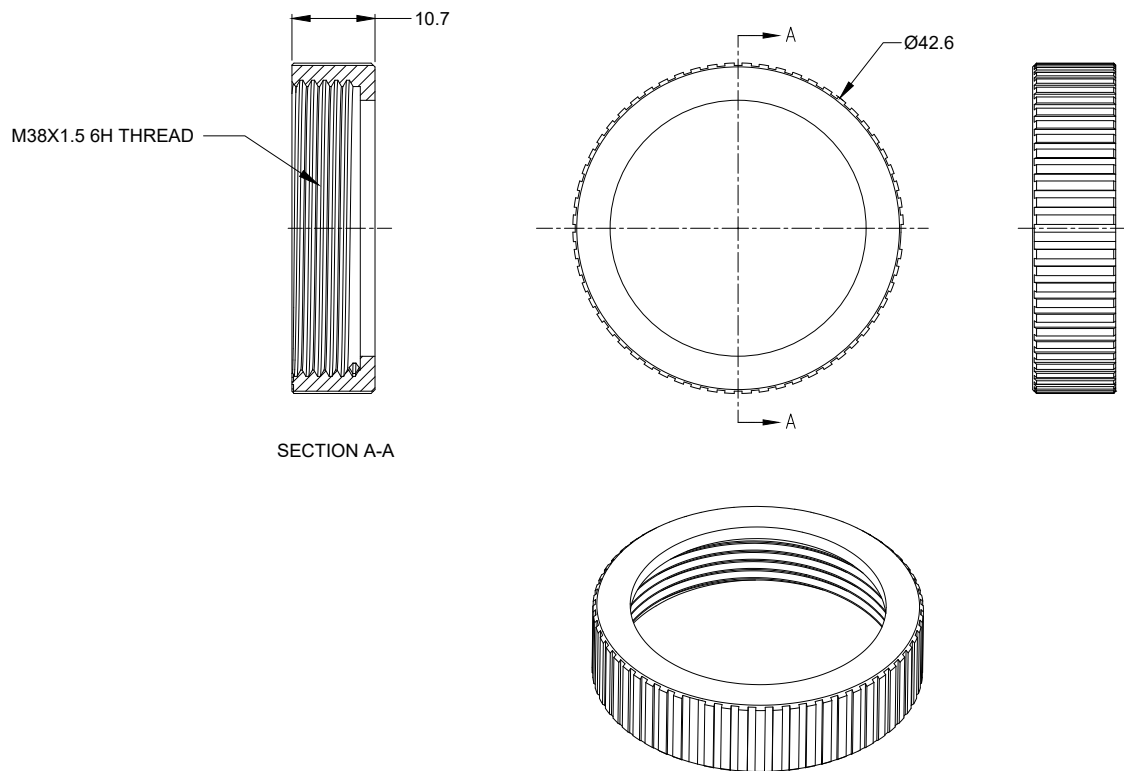


REVISIONS					
REV	ECO	DESCRIPTION	DATE	BY	APPR
A1	--	RELEASE NEW DRAWING	26/SEP/18	ROOKIE	TOMMY



USAGE FIGURE:
 USE WITH AHDM SIZE 24 RECEPTACLE AND PLUG,
 AND WITH PLASTIC BACK SHELL SIZE 24

NOTES: UNLESS OTHERWISE SPECIFIED

1. MATERIAL: THERMOPLSTIC.

△ USAGE:
 USE WITH AHDM SERIES SIZE 24 RECEPTACLE / PLUG
 (AHDM04-24-**** / AHDM06-24-****, (* = ALL MODIFICATION)),
 AND WITH PLASTIC BACK SHELL SIZE 24
 (AHDPBS-010-2405 / AHDPBS-011-2405).
 MOUNTING TORQUE IS 7.4-8.4 N.M.

3. RoHS COMPLIANT.

4. ALL DIMENSIONS ARE FOR REFERENCE USE ONLY.

AHDM-BS-24NUT		DESCRIPTION		ITEM
QUANTITY	PART NUMBER	MATERIALS LIST		
UNLESS OTHERWISE SPECIFIED: 1) All dimensions are in metric(mm). 2) Tolerances are as follows: 1 PL DEC ±0.30 Fractions ±1/64 2 PL DEC ±0.15 Angles ±1° 3 PL DEC ±0.08		SIGNATURES		DATE
MATERIAL SPECIFICATIONS:		DRAWN: ROOKIE	26/SEP/18	
PROCESS SPECIFICATIONS:		CHECKED: ORION	26/SEP/18	
NEXT ASSY:		ENGINEER:		
		APPROVAL: TOMMY	26/SEP/18	
		CUSTOMER:		
		THIS DRAWING IS SUPPLIED FOR INFORMATION ONLY. DESIGN FEATURES, SPECIFICATIONS AND PERFORMANCE DATA SHOWN HEREON ARE THE PROPERTY OF THE AMPHENOL CORPORATION. NO RIGHTS OF REPRODUCTION ARE IMPLIED. ALL DIMENSIONS ARE SUBJECT TO NORMAL MANUFACTURING VARIATIONS.		
		Amphenol Sine Systems - www.amphenol-sine.com 44724 Morley Drive Clinton Township, MI 48036		REVISION
		SIZE: B C-	DWG NO: AHDM-BS-24NUT	A1
		SCALE: NONE	SHEET 1 OF 1	

TITLE: ADAPTER FOR TUBE BACKSHELL, AHDM, SIZE 24
 DWG NO: AHDM-BS-24NUT
 REV: A1
 SH: 1
 OF: 1