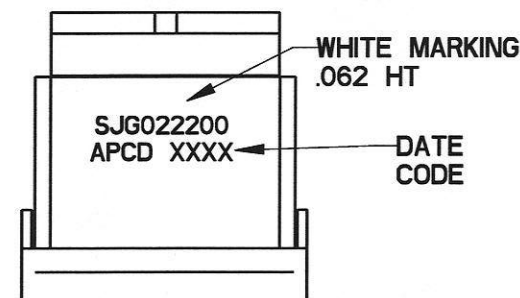
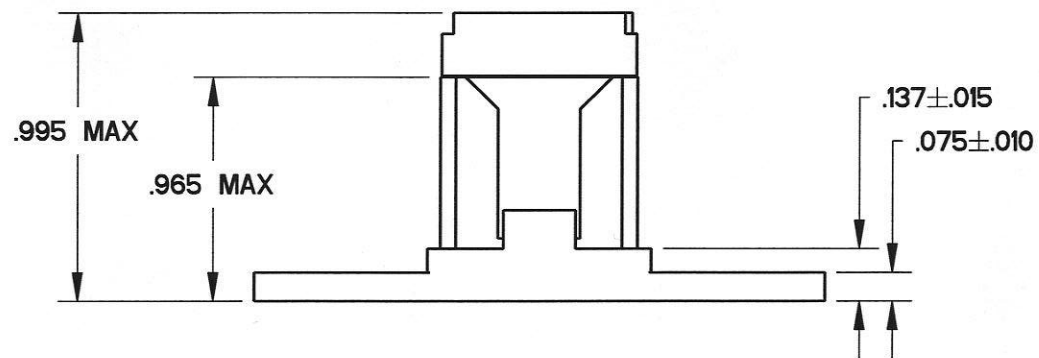
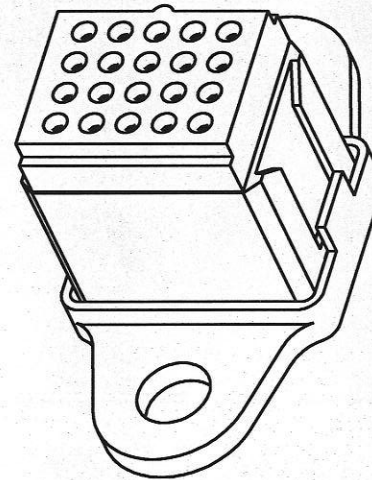
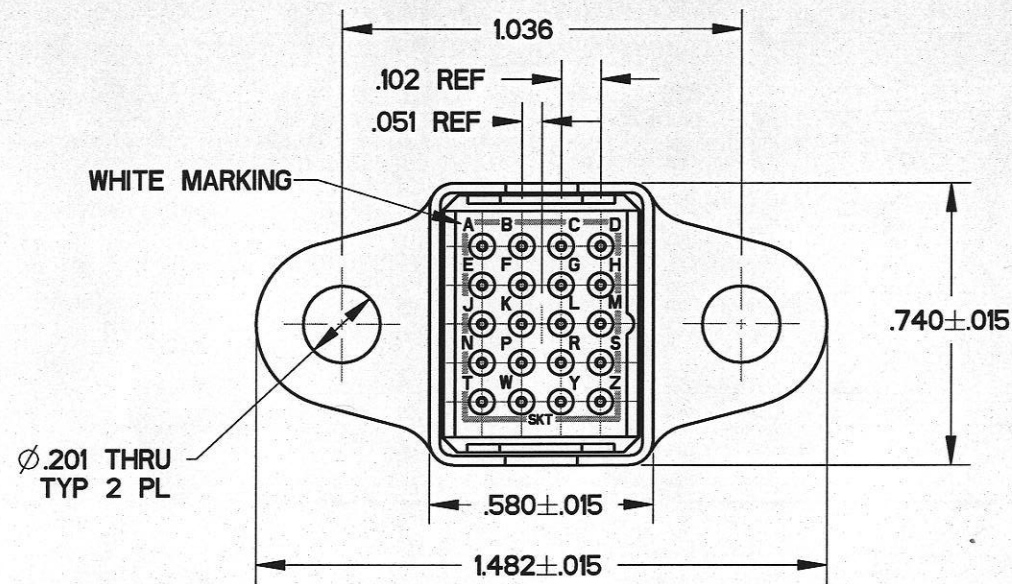


REV	ECN	APP'D
D	6024	JT 4-12-07



NOTES:

- MATERIALS:
 BODY: POLYETHERIMIDE PER ASTM-D5205.
 GROMMET: SILICONE BLEND ELASTOMER PER A-A-59588.
 CONTACT RETAINERS: STAINLESS STEEL.
 SHELL/STUD: COPPER ALLOY, TIN PER MIL-T-10727, TYPE 1
 MOUNTING HARDWARE: (SUPPLIED SEPARATELY)
 STEEL, CADMIUM FINISH PER SAE-AMS-QQ-P-416
- PERFORMANCE SPECIFICATIONS:
 MEETS ALL PERFORMANCE REQUIREMENTS OF MIL-T-81714.
- MODULE ACCEPTS M39029/22-191 CONTACTS AND MS27488-22-1 SEALING PLUGS. SEE TABLE
- ANTI ROTATION TAB SHALL ENTER INTO MOUNTING HOLE.

APCD P/N	SUPPLIED		MARKING
	SKTS	PLUGS	APCD PART NO.
SJG022200	21	2	SJG022200
SJG022201	-	-	

DIMENSIONS ANSI Y14.5M UNITS: INCHES Pro/E FILE	TOLERANCES .XX ±0.01 .XXX ±0.005 ANGLES ±2.0°	PROJECTION 	Amphenol Pcd SPECIFICATION DRAWING			TITLE SJG, SIZE 22, FLANGE GROUNDING MODULE TIN PLATED		
			ORIGINAL 	THIS DOCUMENT CONTAINS PROPRIETARY INFORMATION WHICH IS THE CONFIDENTIAL PROPERTY OF AMPHENOL PCD INC., PEABODY, MA		DRWN R. SWAINE 02/15/07	ENGR 4/12/07	SIZE B
			APPD 4-12-07	CODE: 58982	SCALE: 2:1	SHEET 1 OF 1		

SJG022200

SJG022200