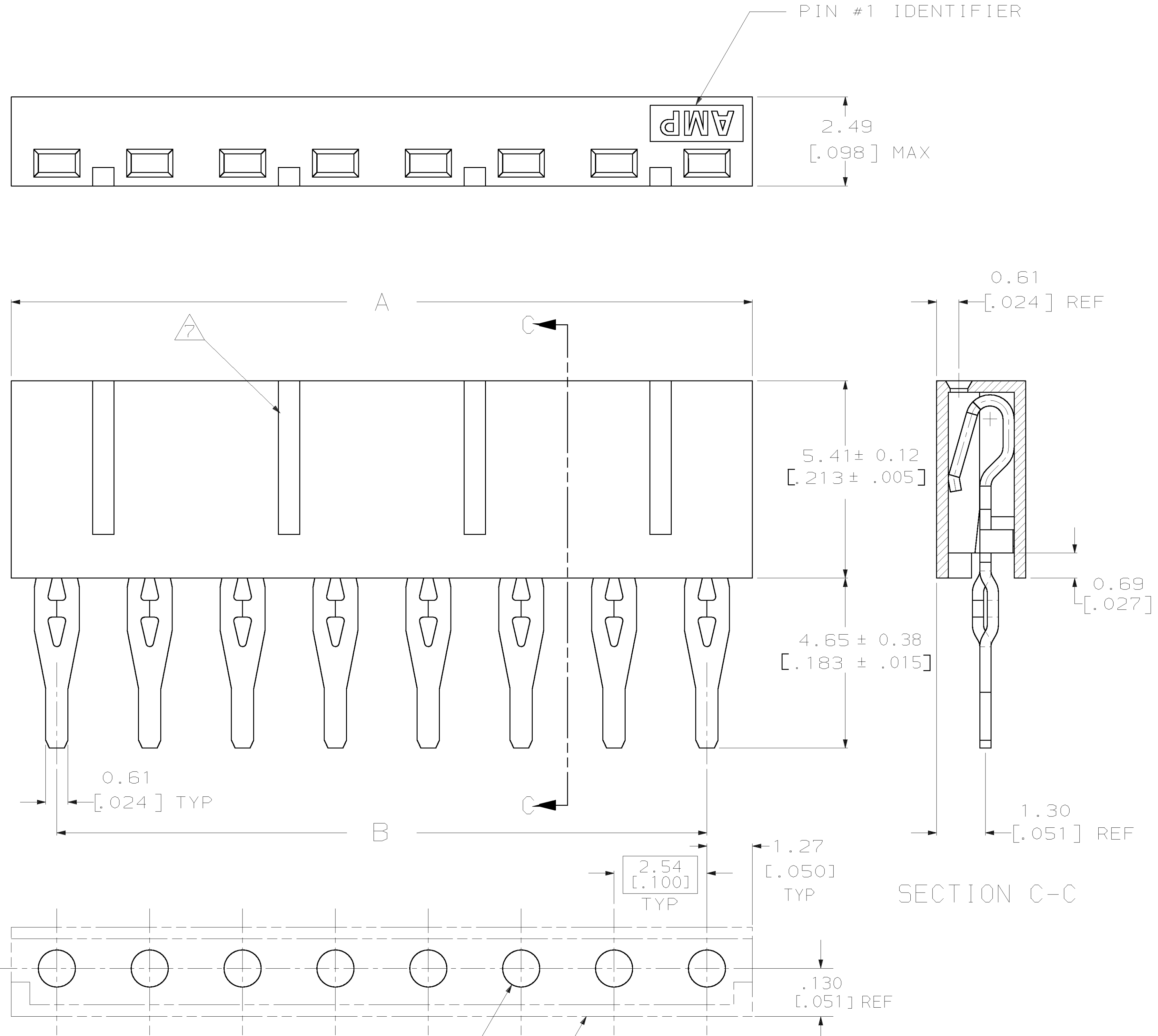
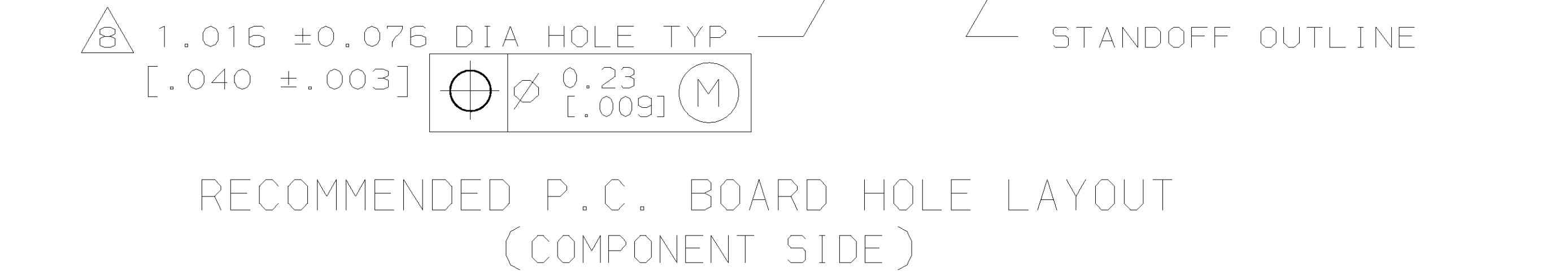


LOC		DIST		REV		REVISIONS		DATE	APPD
FT	64	P	F	ZONE	LTR	DESCRIPTION			
					D	REV PER 063C-0104-01		19JUL01	JO



- SOCKET OPERATING TEMPERATURE RANGE:
-55° C TO 105° C.
 - SOCKET INSERTED VIA "FLAT ROCK" TOOLING INTO
-1.4 [0.055] MINIMUM AND THICKER P.C. BOARDS.
 - EXPECTED SOCKET LIFE: ONE INSERTION AND
-WITHDRAWAL CYCLE INTO P. C. BOARD. P. C. BOARD
-HOLES CAN BE REUSED WITH NEW SOCKETS.
 - ACCEPTS 0.203 [0.008]-0.381 [0.015] THICK X 0.254
[0.010]-0.762 [0.030] WIDE, TIN-LEAD PLATED,
-RECTANGULAR COMPONENT LEADS AND 0.254 [0.010]-
-0.457 [0.018] DIA, TIN-LEAD PLATED, ROUND
LEADS, 318 [0.125]-5.08 [0.200] LONG.
 - CONTACT NORMAL FORCE AND LEAD RETENTION
-VALUES ARE MAINTAINED ONLY WHEN A SOCKET IS
-USED FOR REPEATED ACCEPTANCE OF COMPONENT
-LEADS OF THE SAME SIZE AS THOSE PREVIOUSLY
-INSERTED OR LARGER. WHEN A COMPONENT WITH
-LARGE DIAMETER LEADS IS TO BE REPLACED WITH
-A COMPONENT WITH SMALL CROSS SECTION LEADS,
-THE SOCKET MUST BE REPLACED ALSO.
 - MULTIPLE SOCKETS CAN BE POSITIONED ON A 2.54
[0.100] CENTERLINE GRID.
- △ SLOTS ALONG SIDE OF HOUSING ARE INTENDED TO
-FUNCTION AS VISUAL ORIENTATION FEATURES TO
-ASSIST IN PLACING SOCKETS CORRECTLY IN P.C.
-BOARDS.
- △ P.C. BOARD REQUIREMENTS:
DRILLED HOLE DIAMETER SHALL BE 1.15±0.025
[0.0453±.0010], COPPER PLATING THICKNESS SHALL
BE 0.025 [0.001] TO 0.076 [0.003], TIN/LEAD PLATING
THICKNESS SHALL BE 0.0076 [0.0003] MINIMUM.
- △ CONTACT MATERIAL, PHOSPHOR BRONZE, .0120 STOCK
THICKNESS.
- △ CONTACT FINISH: 93/7 TIN-LEAD PLATE, 0.00381
[0.000150] MIN THICKNESS.



OBSOLETE

20.32 [0.800]	22.86 [0.900]	9	382444-5
27.94 [1.100]	30.48 [1.200]	12	382444-4
22.86 [0.900]	25.4 [1.000]	10	382444-3
17.78 [0.700]	20.32 [0.800]	8	382444-2
12.7 [0.500]	15.24 [0.600]	6	382444-1
B	A	NO OF POSITIONS	PART NO

DO NOT SCALE PRINT. UNLESS SPECIFIED DIMENSIONS IN mm [INCHES] TOLERANCES ON: 2 PLC DEC ± - 3 PLC DEC ± 0.13 [0.005] ANGLES ± -	DR 7-7-94 R. MARION CHK 7-7-94 R. TALLEY APPD 7-8-94 M. HUDDLESTON APPD 7-8-94 M. STADDON	AMP AMP Incorporated Harrisburg, PA 17105-3608	
MATERIAL HOUSING: LCP CONTACT: △g	PRODUCT SPEC 108-1251	NAME SOCKET ASSY, COMPLIANT PIN, SIP	
FINISH CONTACT: △10	APPLICATION SPEC 114-25039	SIZE D	CAGE CODE 00779
	WEIGHT -	DRAWING NO C=382444	SHEET 1 OF 1

THIS DRAWING IS A CONTROLLED DOCUMENT FOR AMP INCORPORATED. IT IS SUBJECT TO CHANGE AND THE CONTROLLING ENGINEERING ORGANIZATION SHOULD BE CONTACTED FOR THE LATEST REVISION.