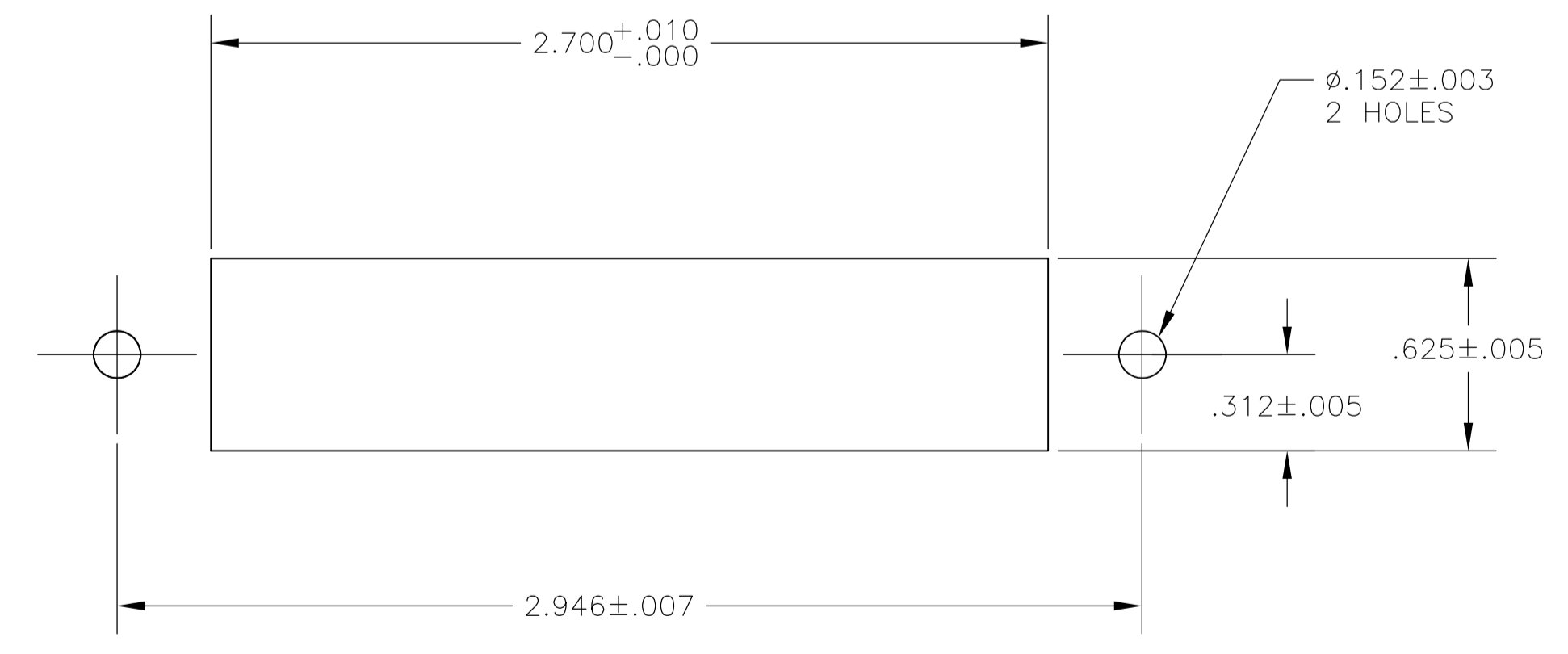
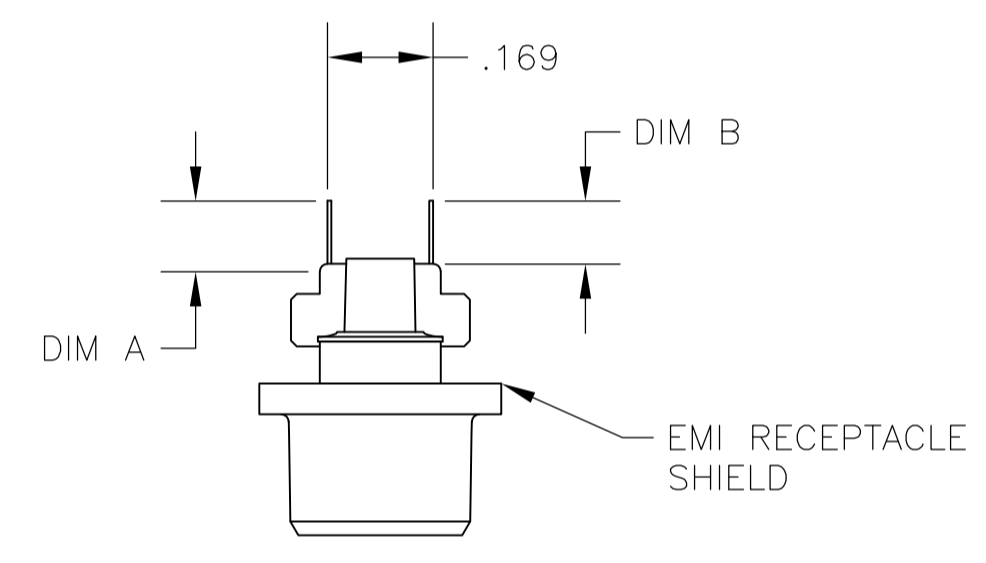
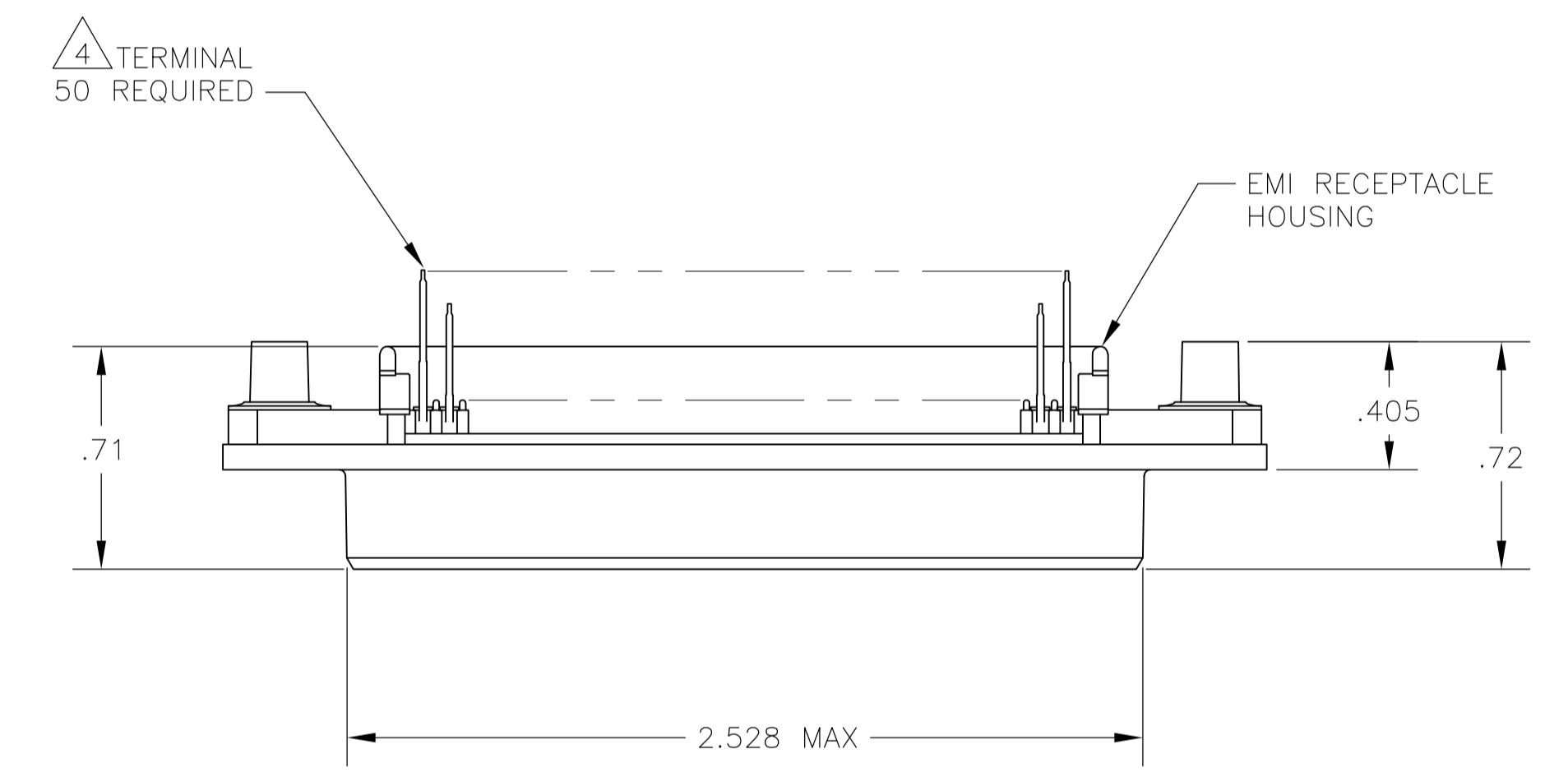
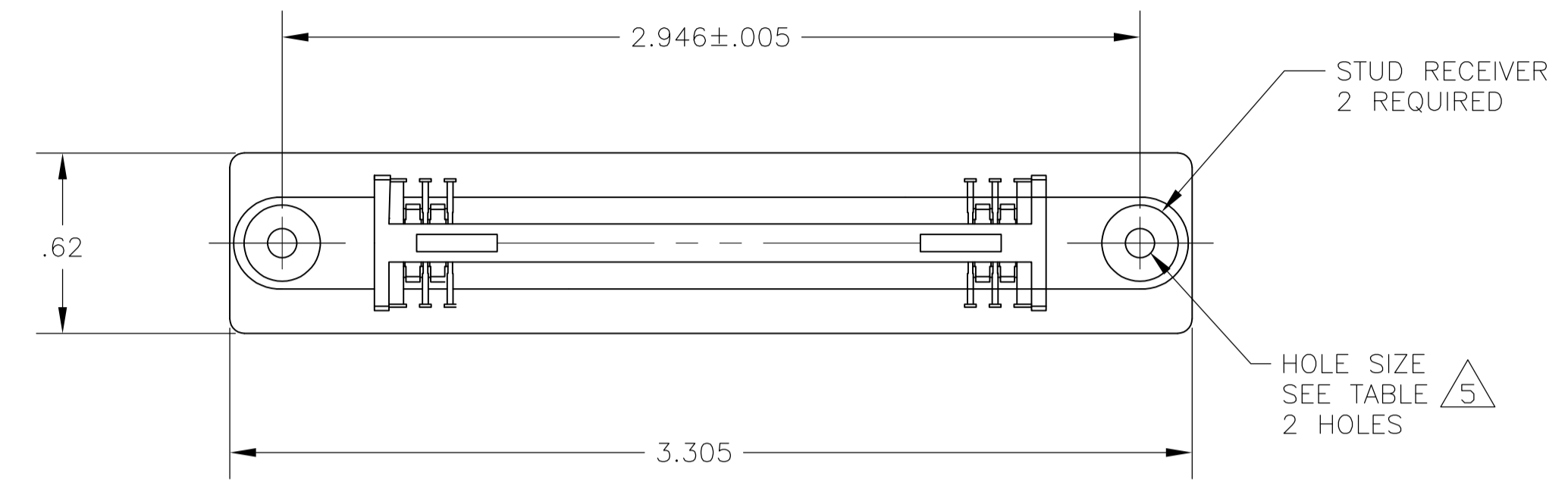


LOC		DIST		REVISIONS			
GP	00	REV	DESCRIPTION	DATE	BY	CHK	APPV
		B	REVISED PER ECO-08-007327	22JUL08	BM	WM	
		B1	REVISED PER ECO-10-000444	19JAN10	KK	HMR	



1. THE CONTACT SURFACES OF THE TERMINALS ARE COATED WITH LUBRICANT.
2. ALL DIMENSIONS SHOWN ARE FOR REFERENCE ONLY UNLESS OTHERWISE SPECIFIED.
3. MATERIAL:
 HOUSING - THERMOPLASTIC, BLACK
 TERMINAL - PHOS BRONZE PLATED WITH EITHER .000030 MINIMUM GOLD PLATE OR GOLD FLASH OVER PALLADIUM NICKEL PLATE, .000030 MINIMUM TOTAL ON MATING SURFACE, .000120 MINIMUM TIN PLATE ON TAILS OVER .000050 MINIMUM NICKEL UNDERPLATE OVER ENTIRE TERMINAL.
 STUD RECEIVER - STAINLESS STEEL.
 SHIELD - NICKEL PLATED DIE CASTING.
4. CENTER-TO-CENTER SPACING OF TERMINALS IS .085.
5. HOLES TO BE TAPPED AFTER PLATING.
6. OBSOLETE PARTS: OBSOLETE CIS STREAMLINING PER D.RENAUD/D.SINISI

4-40 UNC-2B	.185	.200	5554217-4
	.135	.150	5554217-3
HOLE SIZE	DIM B	DIM A	PART NO

THIS DRAWING IS A CONTROLLED DOCUMENT.

DIMENSIONS: INCHES	TOLERANCES UNLESS OTHERWISE SPECIFIED:	DIN B LATTUCA 17AUG05	Tyco Electronics Corporation Harrisburg, PA 17105-3608
0 PLC ± -	1 PLC ± -	CHK W. MILLHIMES 17AUG05	APVD M. WALMSLEY 17AUG05
2 PLC ± -	3 PLC ± -	NAME RCPT ASSY, 50 POSN, VERT MTG, SHLD, CHAMP	
4 PLC ± -	ANGLES ± -	APPLICATION SPEC	
MATERIAL	FINISH	SIZE A1	CAGE CODE 00779
		DRAWING NO C=5554217	
		RESTRICTED TO	
		WEIGHT	
		CUSTOMER DRAWING	
		SCALE 2:1	SHEET 1 OF 1
			REV B1