

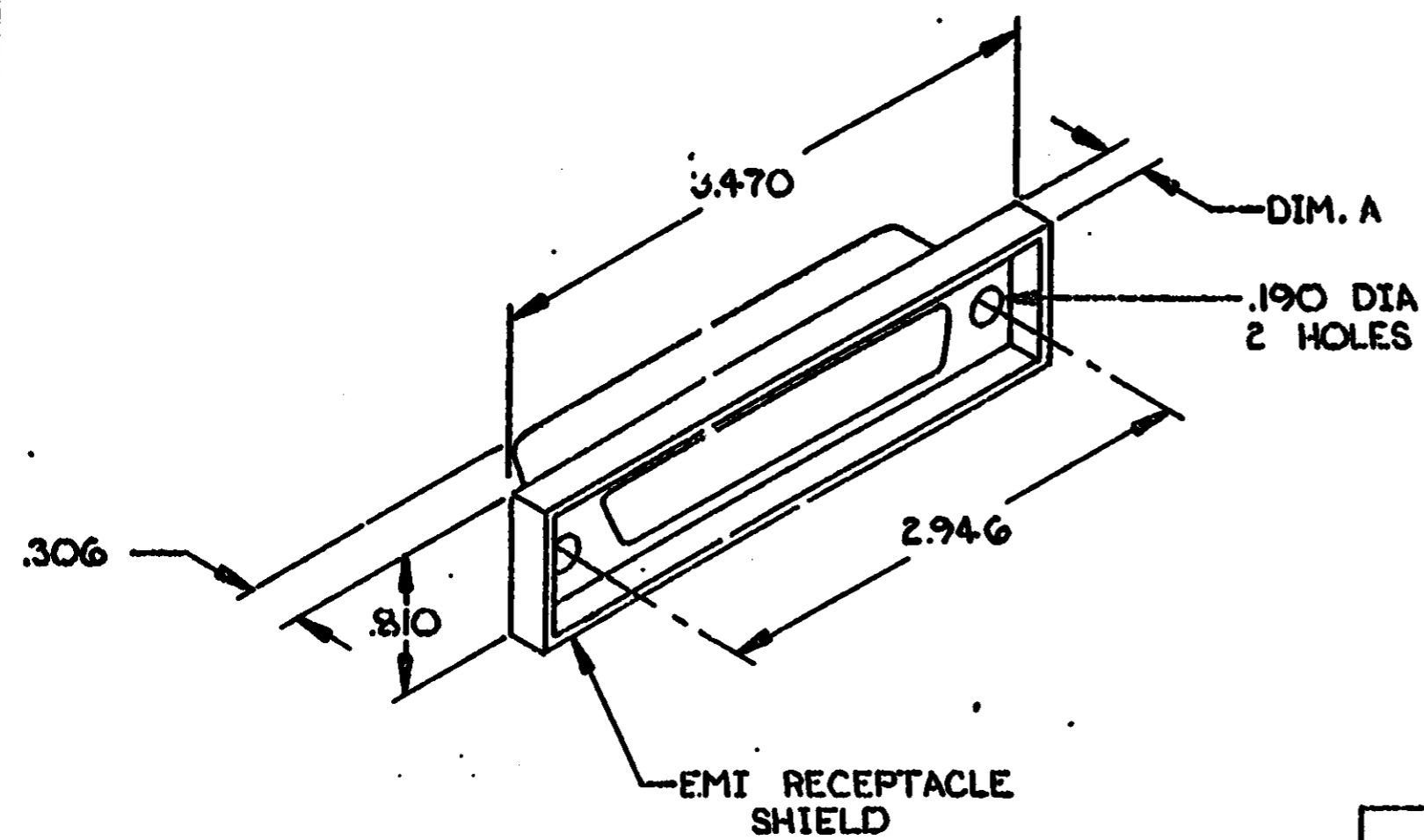
THIS DRAWING IS UNPUBLISHED, RELEASED FOR PUBLICATION

© COPYRIGHT 19 BY AMP INCORPORATED, HARRISBURG, PA. ALL INTERNATIONAL RIGHTS RESERVED. AMP PRODUCTS MAY BE COVERED BY U.S. AND FOREIGN PATENTS AND/OR PATENTS PENDING.

P		ZONE	LTR	DESCRIPTION	DATE	APPROVED
0	1	0		RLSD PER C81-57	6-15-83	PKC

1. ALL DIMENSIONS SHOWN ARE FOR REFERENCE ONLY UNLESS OTHERWISE SPECIFIED.

△ MATERIAL: BRIGHT NICKEL PLATED ZINC DIE CASTING,



.080	553402-6
.193	553402-5
DIM. A	PART NO

UNLESS OTHERWISE SPECIFIED DIMENSIONS ARE IN INCHES. TOLERANCES ON: DECIMALS .010 ANGLES 1/2	CONTRACT NO	AMP		AMP INCORPORATED Harrisburg, Pa.
	DR <i>Phil Collins 6-15-83</i>	NAME SHIELD, EMI RECEPTACLE, 50 POSITION, CHAMP		
MATERIAL △	CHK <i>M... 6-22-83</i>	APPRO	FIG NO 00779	DRAWING NO 553402
FINISH △	OTHER APPD	SCALE 1:1	SHEET 1 OF 1	