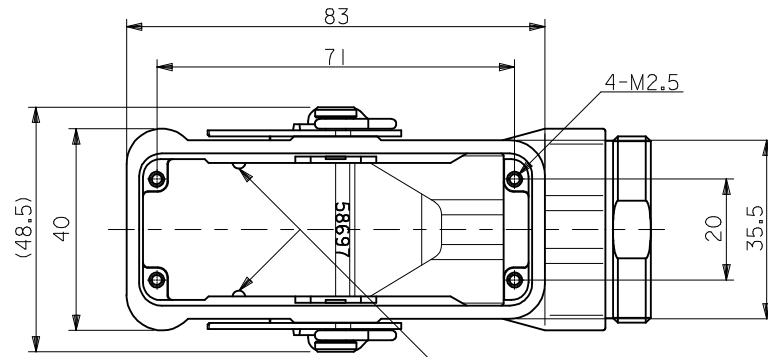
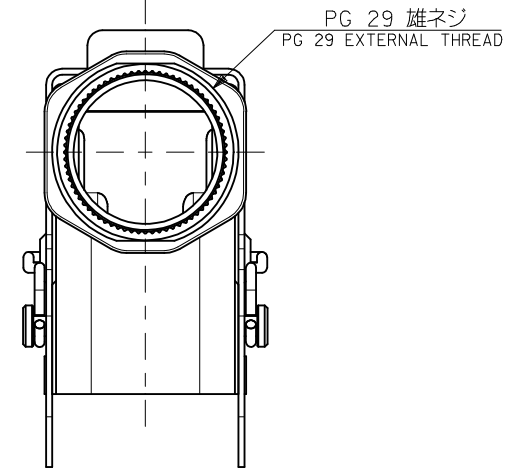
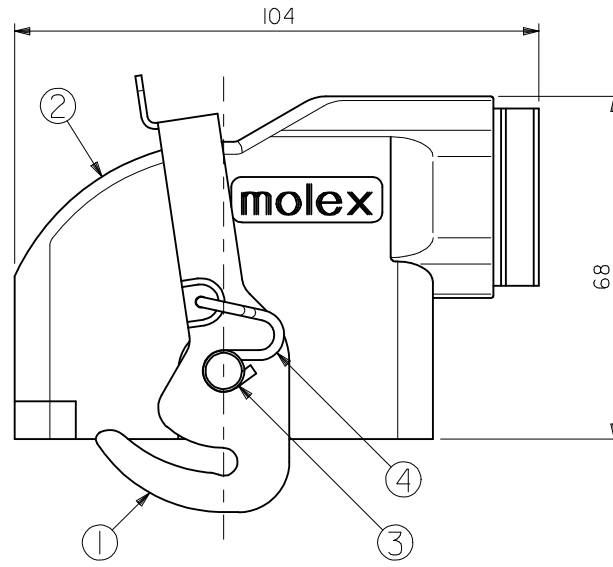
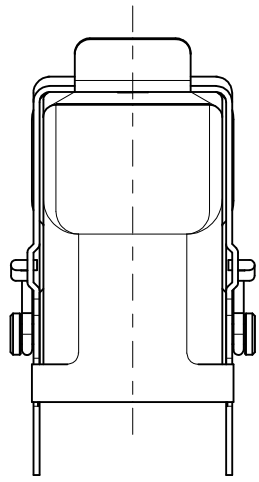


10 9 8 7 6 5 4 3 2 1



部番 No.	部品名 PART NAME	数量 QTY.	材質 MATERIAL	記事 ARTICLE
①	レバー LEVER	1	鋼 STEEL	塗装処理 PAINTING
②	プラグカバー PLUG COVER	1	アルミニウム合金 ALUMINIUM ALLOY	—
③	ロックピン LOCKING PIN	2	ステンレス STAINLESS STEEL	—
④	レバースプリング LEVER SPRING	2	ステンレス STAINLESS STEEL	—

注記:  
NOTES.

- 適用プラグシェルアッセンブリ  
APPLICABLE PLUG SHELL ASS'Y  
1.) TYPE A : 58687-0010  
2.) TYPE B : 58687-0020
- 適用エンドベルキャップセット  
APPLICABLE END BELL CAP SET  
58550-\*\*\*\*

58696-1010	58696-****
オーダー番号 ORDER No.	MODEL No.

REVISED EC NO: J2009-0816 DRWN: YMAEDA 2008/11/05 CHKD: NUKITA 2008/12/19 APPR: NUKITA 2008/12/19	GENERAL TOLERANCES (UNLESS SPECIFIED)	DIMENSION STYLE MM ONLY	SCALE 1:1	DESIGN UNITS METRIC	THIRD ANGLE PROJECTION
	10 UNDER ±0.2	DRAWN BY S. AKIYAMA	DATE '02/05/13	TITLE POWER CONN. 36P RIGHT-ANGLE PLUG COVER ASS'Y	
	10 OVER 30 UNDER ±0.25	CHECKED BY J. MIYAZAWA	DATE '02/05/14	MOLEX INCORPORATED	
	30 OVER ±0.3	APPROVED BY Y0. ITO	DATE '02/05/14	DOCUMENT NO. SD-58696-006	SHEET NO. 1 OF 2
ANGULAR ±3 °	DRAFT WHERE APPLICABLE MUST REMAIN WITHIN DIMENSIONS		SEE CHART		
REV	DESCRIPTION	SIZE A3	THIS DRAWING CONTAINS INFORMATION THAT IS PROPRIETARY TO MOLEX INCORPORATED AND SHOULD NOT BE USED WITHOUT WRITTEN PERMISSION		

注記:  
NOTES:

関連図面  
RELATION DRAWING

<適用ハウジング及び適用端子>  
<APPLICABLE HOUSING AND TERMINAL>

	適用ハウジング APPLICABLE HOUSING	適用端子 APPLICABLE TERMINAL
ピン ハウジング PIN HOUSING	SD-51192-002	SD-5558-001 SD-5558-002
ソケット ハウジング SOCKET HOUSING	SD-51193-002	SD-5556-004
プラグ ハウジング PLUG HOUSING	SD-503193-001	SD-503195-001
リセプタクル ハウジング RECEPTACLE HOUSING	SD-503194-001	SD-503196-001

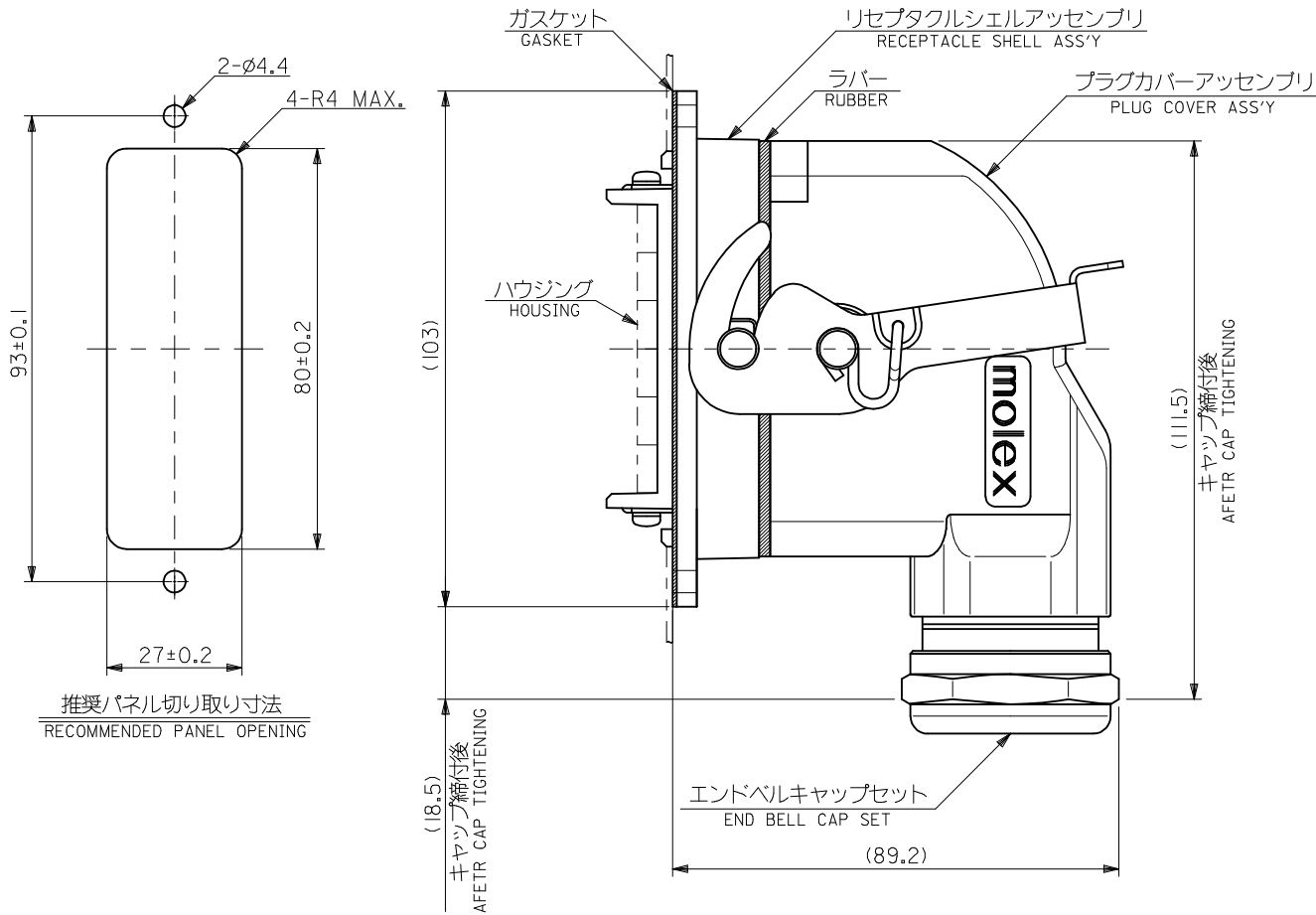
<共通部品>  
<COMMON PARTS>

リセプタクルシェル アッセンブリ RECEPTACLE SHELL ASSEMBLY	SD-58691-002
プラグシェル アッセンブリ PLUG SHELL ASSEMBLY	SD-58687-002
カバー アッセンブリ COVER ASSEMBLY	SD-58696-006
カバー (中継用) COVER (FOR CONJUNCTION)	SD-56386-002
エンドベルキャップセット END BELL CAP SET	SD-58550-****
リセプタクル側ダストカバー DUST COVER FOR RECEPTACLE	SD-51201-002

関連規格  
RELATION NORMATIVE

VDE0110 250V 汚染度Ⅲ  
過電圧カテゴリーⅡに適合  
APPLICABLE 250V POLLUTION DEGREE  
AND OVER VOLTAGE CATEGORY

保護等級 IP65  
DEGREE OF PROTECTION



推奨パネル切り取り寸法  
RECOMMENDED PANEL OPENING

REVISED		GENERAL TOLERANCES (UNLESS SPECIFIED)		DIMENSION STYLE		SCALE	DESIGN UNITS	THIRD ANGLE PROJECTION	
EC NO.	DATE	DESCRIPTION	10 UNDER	±0.2	MM ONLY	---	METRIC	⊙ □	
J2009-0816	2008/11/05	DRWN:YMAEDA	10 OVER 30 UNDER	±0.25	DRAWN BY S. AKIYAMA	DATE '02/5/13	TITLE	POWER CONN. 36P RIGHT-ANGLE PLUG COVER ASS'Y	
	2008/12/19	CHKD:NUKITA	30 OVER	±0.3	CHECKED BY J. MIYAZAWA	DATE '02/05/14		MOLEX INCORPORATED	
	2008/12/19	APPR:NUKITA	ANGULAR ±3 °		APPROVED BY Y.O. ITO	DATE '02/05/14		MATERIAL NO. SEE CHART	
			DRAFT WHERE APPLICABLE MUST REMAIN WITHIN DIMENSIONS					DOCUMENT NO. SD-58696-006	
					SIZE A3	THIS DRAWING CONTAINS INFORMATION THAT IS PROPRIETARY TO MOLEX INCORPORATED AND SHOULD NOT BE USED WITHOUT WRITTEN PERMISSION			
								SHEET NO. 2 OF 2	