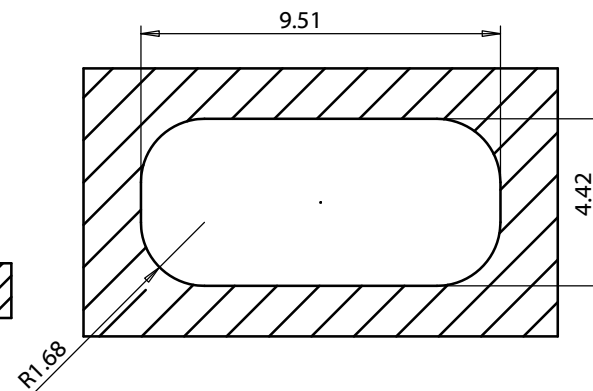
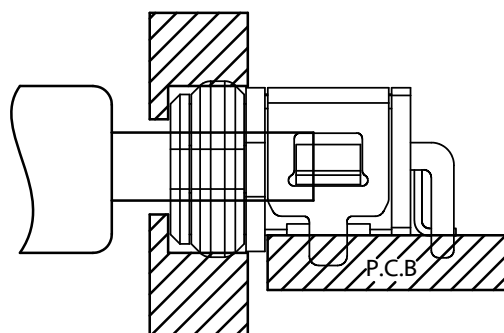
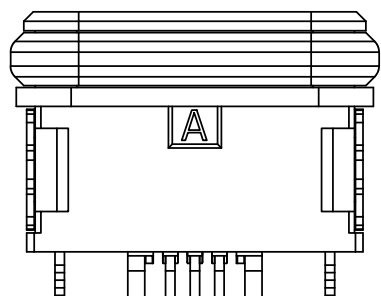


Signal Name	
1	Vcc
2	D-
3	D+
4	ID
5	GND



Revision:	Date:	Description:
A	5/11/2021	Initial release

Prepared:  
**JD**  
Digitally signed by JD  
 Date: 2021.10.15  
 16:24:30 -07'00'

Verified:  
**AG**  
Digitally signed by AG  
 Date: 2021.10.15 17:56:46  
 -07'00'

Dimensions are in millimeters.  
 Tolerances:  
 X: ± 0.2 mm  
 X.X: ± 0.2 mm  
 X.XX: ± 0.2 mm

Notes:  
 RoHS compliant

Function test: no open, no short circuit, no intermittent

Description:  
 Connector, USB micro B jack, surface mount, through hole, 90°, nickel shell, IPX7 waterproof, reel

# TENSILITY

tel 1.541.323.3228 800 877.670.7118  
 fax 1.541.323.4202 web tensility.com

Size: A Part number: 54-00282  
 Scale: 5:1 Sheet 1 of 2

