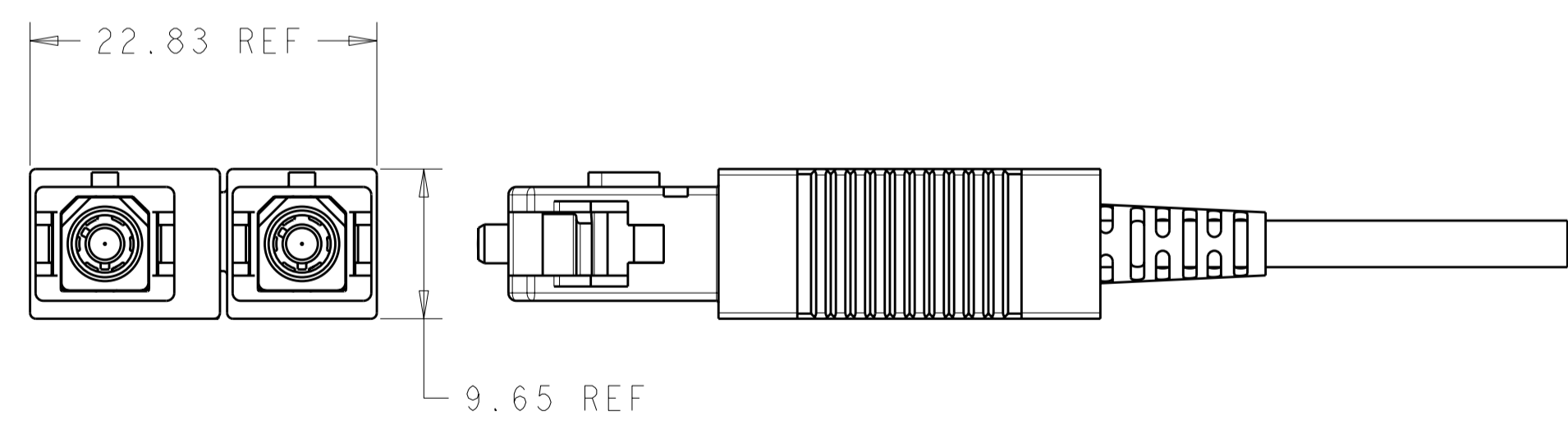
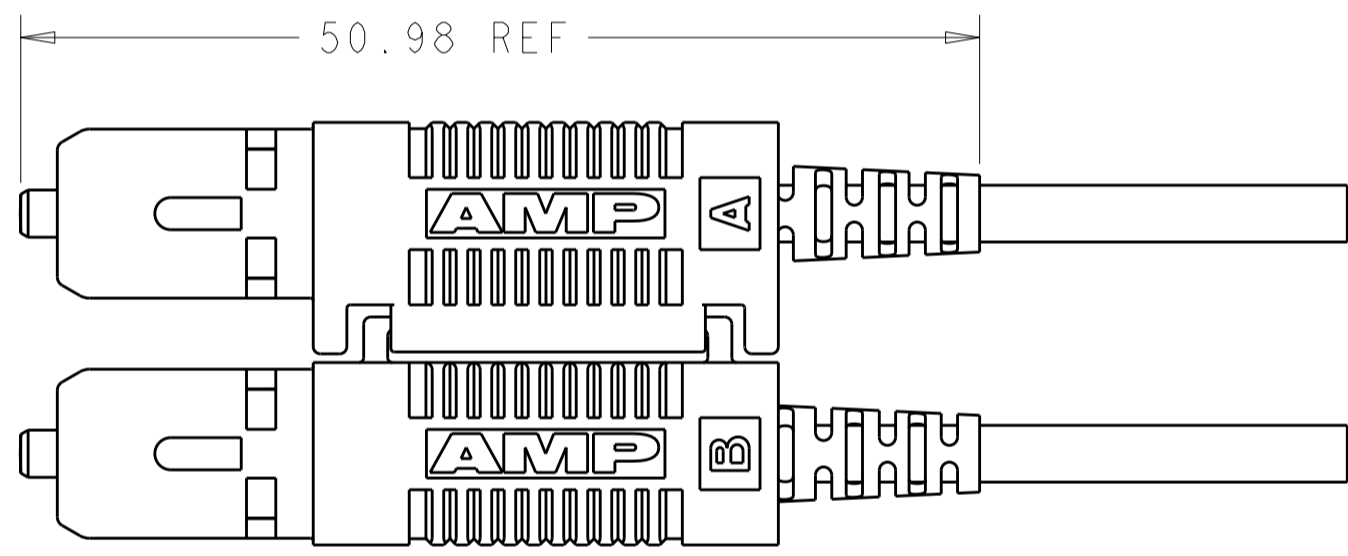
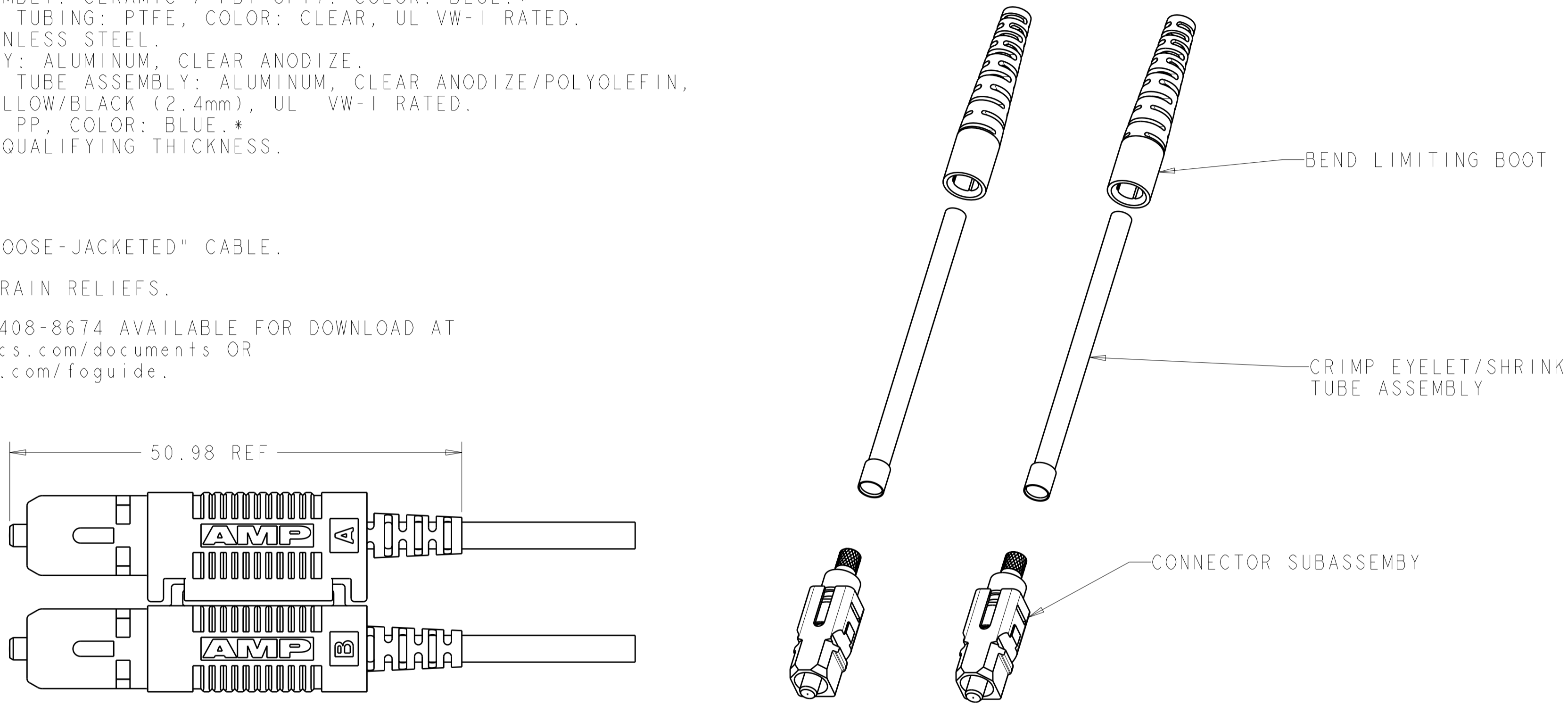


THIS DRAWING IS UNPUBLISHED. RELEASED FOR PUBLICATION 20  
 © COPYRIGHT 20 BY TYCO ELECTRONICS CORPORATION. ALL RIGHTS RESERVED.

LOC	DIST	REVISIONS			
P	LTR	DESCRIPTION	DATE	DWN	APVD
CE	00	A	RELEASE TO ACTIVE	08JUN2006	BB SM
		AI	ADD NOTE 5.	12MAY2009	KG SB

1 MATERIAL:  
 PROTECTIVE COVER: LDPE, COLOR: BLACK, NON-FR.  
 CONNECTOR HOUSING: PBT-GF17, COLOR: BLUE.\*  
 CONNECTOR SUBASSEMBLY:  
 PLUG BODY: PES-GF20, COLOR: BEIGE.\*  
 FERRULE ASSEMBLY: CERAMIC / PBT-GF17. COLOR: BLUE.\*  
 EPOXY - FILL TUBING: PTFE, COLOR: CLEAR, UL VW-1 RATED.  
 SPRING: STAINLESS STEEL.  
 RETAINER BODY: ALUMINUM, CLEAR ANODIZE.  
 CRIMP EYELET/SHRINK TUBE ASSEMBLY: ALUMINUM, CLEAR ANODIZE/POLYOLEFIN,  
 COLOR: WHITE AND YELLOW/BLACK (2.4mm), UL VW-1 RATED.  
 BEND LIMITING BOOT: PP, COLOR: BLUE.\*  
 \*UL94 V-0 RATED AT QUALIFYING THICKNESS.

- 2 BULK PACKAGE.  
 3. TO BE USED WITH "LOOSE-JACKETED" CABLE.  
 4 KIT CONTAINS NO STRAIN RELIEFS.  
 5. INSTRUCTION SHEET 408-8674 AVAILABLE FOR DOWNLOAD AT  
[www.tycoelectronics.com/documents](http://www.tycoelectronics.com/documents) OR  
[www.ampnetconnect.com/foguide](http://www.ampnetconnect.com/foguide).



2	2.4mm	6693776-6
	2.4mm	6693776-5
4 2	1.6mm-2.0mm	6693776-4
4	1.6mm-2.0mm	6693776-3
2	1.6mm-2.0mm	6693776-2
	1.6mm-2.0mm	6693776-1
	CABLE SIZE	PART NO.



THIS DRAWING IS A CONTROLLED DOCUMENT FOR TYCO ELECTRONICS CORPORATION  
 IT IS SUBJECT TO CHANGE AND THE CONTROLLING ENGINEERING ORGANIZATION  
 SHOULD BE CONTACTED FOR THE LATEST REVISION.

DIMENSIONS:	TOLERANCES UNLESS OTHERWISE SPECIFIED:	DWN	B. BRIGGS	15JUL2005	Tyco Electronics Harrisburg, PA 17105-3608
mm	0 PLC ±	CHK	S. MILLER	15JUL2005	
	1 PLC ±	APVD	S. BUCHTER	15JUL2005	
	2 PLC ±	PRODUCT SPEC			
	3 PLC ±	APPLICATION SPEC			
	4 PLC ±	WEIGHT			NAME
	ANGLES ±	CUSTOMER DRAWING			KIT, SC SM DUPLEX, 1.6mm - 2.4mm CABLE
	FINISH	SCALE	2:1		SIZE
MATERIAL		SHEET	1		CAGE CODE
		OF	1		DRAWING NO
		REV	AI		RESTRICTED TO
					A2 00779 C-6693776