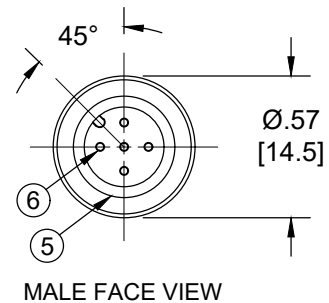
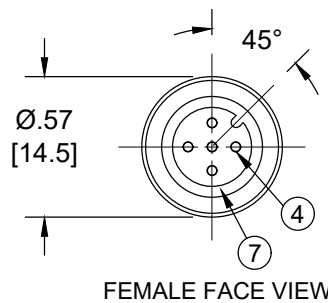
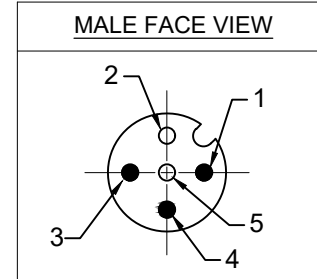
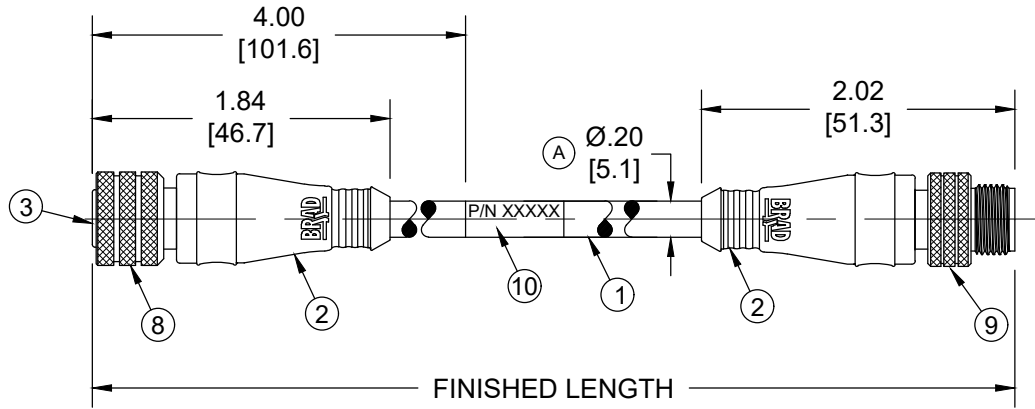
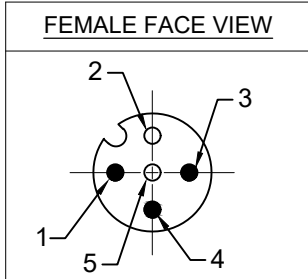
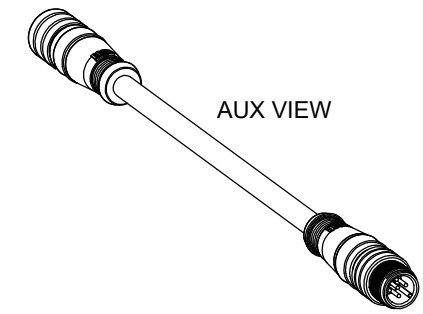


| MATERIAL NO. | ENGINEERING NO. | FINISHED LENGTH  |
|--------------|-----------------|------------------|
| 1200660162   | 883030A09M003   | 0.3M [1FT]       |
| 1200660188   | 883030A09M100   | 10M [32FT 10 IN] |
| 1200661606   | 883030A09M250   | 25M [82FT]       |



- NOTES:
- MATERIAL: AS NOTED
  - FINISH: AS NOTED
  - ELECTRICAL:  
VOLTAGE: 250 VAC/VDC  
CURRENT: 4A
  - TEMP RATING: -20°TO +105°C
  - PROTECTION: IP67 (WHEN MATED)
  - COUPLING THREAD: M12X1
  - UL RECOGNIZED FILE: E152210  
CSA CERTIFIED FILE: LR6837
  - ALL DIMENSIONS ARE FOR REFERENCE UNLESS TOLERANCED OR NOTED OTHERWISE

PART NO. MATRIX  
883030A09M003

FINISHED LENGTH  
M005 = 0.5 METER  
M010 = 1 METER  
M100 = 10 METER



CABLE LENGTH TOLERANCES

|                          |                         |
|--------------------------|-------------------------|
| <.3M [1FT]:              | +19mm-0 [ +.75in-0]     |
| .3 - .9M [1 - 3FT]:      | +44.5mm-0 [+1.75in-0]   |
| .9 - 1.8M [3 - 6FT]:     | +55.6mm-0 [+2.19in-0]   |
| 1.8 - 3.7M [6 - 12FT]:   | +88.9mm-0 [+3.50in-0]   |
| 3.7 - 7.3M [12 - 24FT]:  | +165.1mm-0 [+6.50in-0]  |
| 7.3-14.6M [24 - 48FT]:   | +317.5mm-0 [+12.50in-0] |
| 14.6 - 30.5M [48-100FT]: | +622.3mm-0 [+24.50in-0] |
| OVER 30M [100FT]         | +2% OF FINISHED LENGTH  |

| ITEM | DESCRIPTION         | MATERIAL     | FINISH           |
|------|---------------------|--------------|------------------|
| 10   | WRAP LABEL          | VINYL        | BLACK/YELLOW     |
| 9    | MALE COUPLING NUT   | BRASS        | NICKEL PLATED    |
| 8    | FEMALE COUPLING NUT | BRASS        | NICKEL PLATED    |
| 7    | O-RING              | VITON        | RED              |
| 6    | PIN CONTACT         | COPPER ALLOY | GOLD OVER NICKEL |
| 5    | MALE INSERT         | PUR          | BLACK            |
| 4    | SOCKET CONTACT      | COPPER ALLOY | GOLD OVER NICKEL |
| 3    | FEMALE INSERT       | PUR          | BLACK            |
| 2    | OVERMOLD            | PUR          | YELLOW           |
| 1    | #22/5 CABLE         | PVC JACKET   | YELLOW           |

THIS DRAWING CONTAINS INFORMATION THAT IS PROPRIETARY TO MOLEX ELECTRONIC TECHNOLOGIES, LLC AND SHOULD NOT BE USED WITHOUT WRITTEN PERMISSION

FUNCTIONAL SYMBOLS:  $F_A=0$ ,  $F_C=0$ ,  $F_P=0$

DIVISIONAL SYMBOLS:  $F_A=0$ ,  $F_C=0$ ,  $F_P=0$

DIMENSION UNITS: INCH/MM, SCALE: NTS

GENERAL TOLERANCES (UNLESS SPECIFIED):

|          | mm    | INCH  |
|----------|-------|-------|
| 4 PLACES | ±---- | ±---- |
| 3 PLACES | ±---- | ±---- |
| 2 PLACES | ±---- | ±---- |
| 1 PLACE  | ±---- | ±---- |
| 0 PLACES | ±---- | ±---- |

ANGULAR TOL ± ---- °

DRAFT WHERE APPLICABLE MUST REMAIN WITHIN DIMENSIONS

THIRD ANGLE PROJECTION

DRAWING: A-SIZE

SERIES: 120066

CURRENT REV DESC: ITEM 3 & 5 WERE NYLON & ITEM #10 WAS MYLAR. ADDED UL & CSA IN NOTES. ADDED CABLE DIA & TOL CHART. MODIFIED PN TABLE

EC NO: 669893

DRWN: ABENJAMINLW 2021/02/26

CHK'D: RSTONE 2021/07/12

APPR: BWOODMAN 2021/07/14

INITIAL REVISION:

DRWN: LSTEMMLE 2010/01/25

APPR: NSTAUDIG 2010/01/29

DOCUMENT NUMBER: SD-120066-010

DOC TYPE: PSD

DOC PART: 001

REVISION: A

PRODUCT CUSTOMER DRAWING

MATERIAL NUMBER: SEE CHART

CUSTOMER: GENERAL MARKET

SHEET NUMBER: 1 OF 1

|                 |    |              |            |          |
|-----------------|----|--------------|------------|----------|
| DOCUMENT STATUS | P1 | RELEASE DATE | 2021/07/14 | 21:16:11 |
|-----------------|----|--------------|------------|----------|