

EM9304 SOC DVK FACTSHEET

DESCRIPTION

The EM9304 is a tiny, low-power, integrated circuit (IC) optimized for *Bluetooth® 5.0* low energy enabled products. The flexible architecture of the EM9304 allows it to act as a companion IC to any ASIC or MCU-based product, or as a complete System-on-Chip (SoC).
<https://www.emmicroelectronic.com/product/standard-protocols/em9304>

The EM9304DVKSOC provides the hardware tools to develop a complete SoC application running on the EM9304.

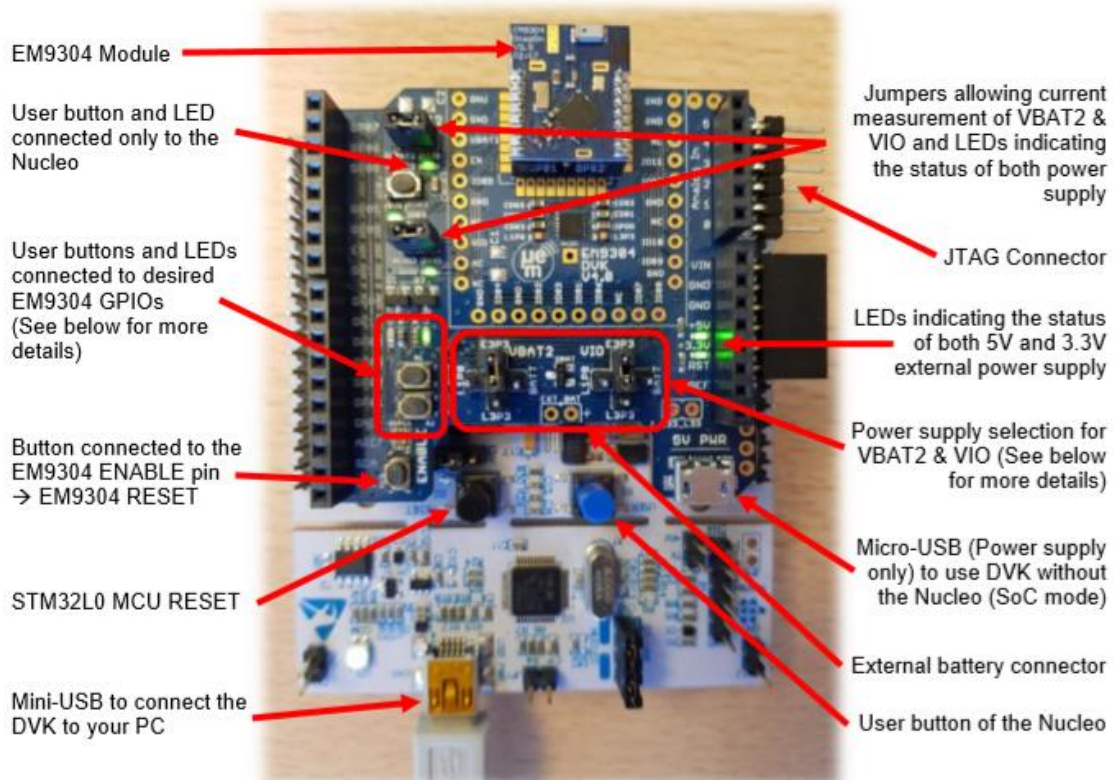
CONTENT

- The EM9304 SOC DVK consists of 3 boards and 2 cables:
- A white ST Nucleo board.
 - A blue EM Microelectronic Arduino board.
 - An EM Microelectronic EM9304 module. Extra modules can be ordered separately from the DVK.
 - A Digilent JTAG programming cable enabling on-chip debug.
 - A USB to USB mini cable to power the system.

After registration to our support forum and account validation, you can access such resources as:

The getting started guide -
<https://forums.emdeveloper.com/index.php?resources/em9304-soc-sdk-getting-start-guide.5/>

The software tools -
<https://forums.emdeveloper.com/index.php?resources/>.



ORDERING INFORMATION

The products below are considered standard and should be readily available. Please make sure to give the complete part number when ordering.

Part Number	Description	Container	Units per Container
EMDVK9304SOC	Bluetooth Low Energy SOC Development Kit	Box	1
MD9304Q-2V1 SD-SP	EM9304 Module	-	1