

Series **D XX P 24B 6 XX 22 LF**

Number of contacts
09 , 15 , 25 , 37

Contacts
P : Pin

Plating
6 = 500 Mating / Unmating Mini

Packaging specification
Tape and Reel For connector with cap

See Note RoHS

Termination

Code	Type	Foot Print/Pitch	Length of termination	PCB thickness
24B	Straight version	6 / 2.84mm	2.90	2.4

NOTE RoHS INFORMATION

- The "LF" product meet european union Directives and other country regulations asdescribed in GS-22-008.
- The housing will whistand exposure to 260° peak temperature for 30 seconds in a convection , infra-red or vapor reflow oven. See application notes/procedures if are available.
- Termination plating spec:1.27µ Nickel mini,2.5 to 7.5µ Sn(pure mate)
- Shell plating : Nickel bright
- Accessories : Sn pure bright
- Packaging spec ; See GS-14-920

Mounting Options

RL	Insert M3
RV	Female Screw UNC 4-40
RX	Insert UNC 4-40

Product Specification

see : GS-12-372

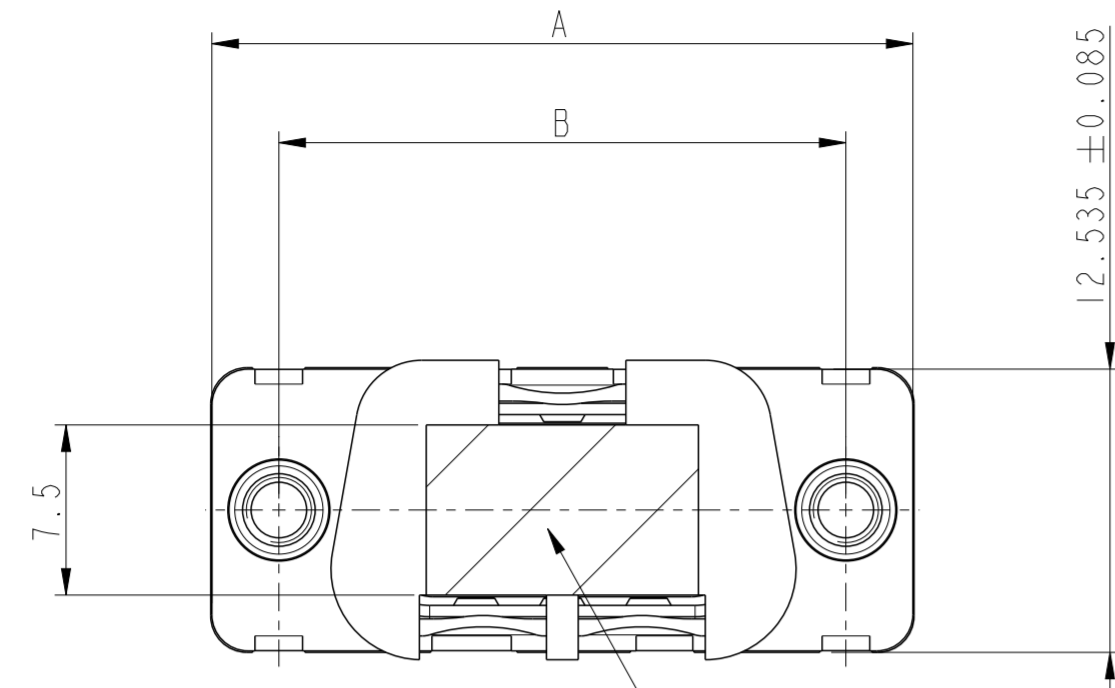
Packaging Specification

See GS-14-1052

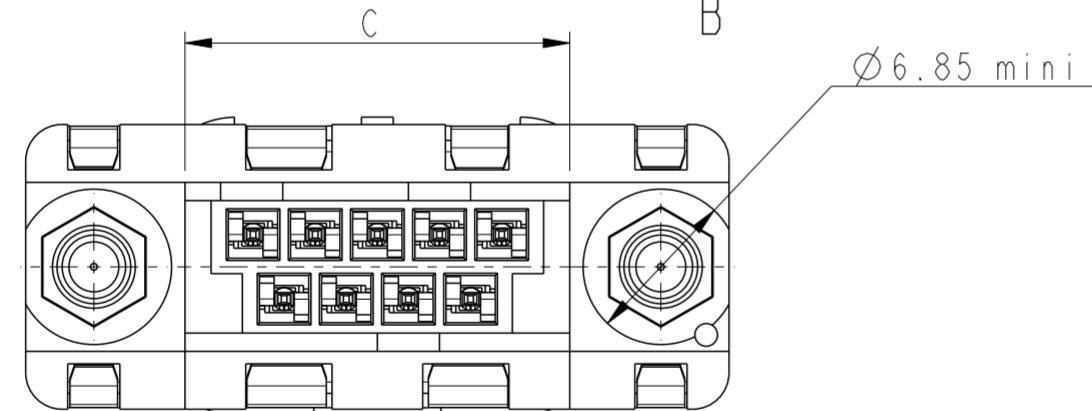
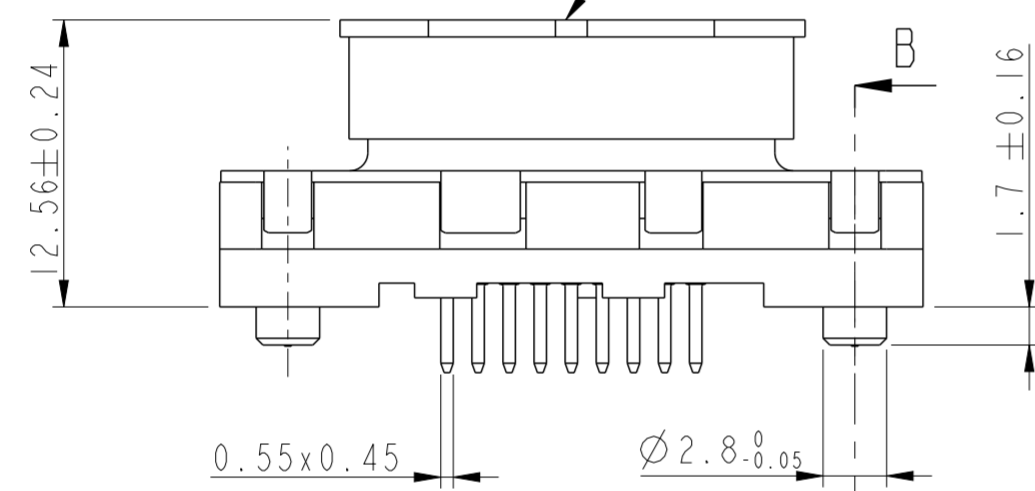
www.fciconnect.com		surface - <input checked="" type="checkbox"/> ISO 1302	tolerance std ISO 406 ISO 1101	projection	mm
TOLERANCES UNLESS OTHERWISE SPECIFIED					
Dr	H.LEGALLIC	22/08/22	ANGULAR	0.X ±0.3	size A3
Eng	H.LEGALLIC	06/08/22	LINEAR	0.XX ±0.1	Scale 2:1
Chr	NIRMAL G	2010-10-14	0° ±2°	0.XXX ±0.05	ECN 110-0197
Appr	SUDHIR V	2010-10-14	Product family SUB DELTA D PIP		Spec ref -
FCi		Title SUB DELTA D PIP MALE H=2.9		dwg no C01-8646-0887	Rev. D
		straight for tape and reel packaging		CUSTOMER	sheet 1 of 2
		catalog no SEE TABLE			

ltr	ecn no	dr	YY/MM/DD
I	CREATED	HLE	06/08/22
A	LS06-0223	PCR	2006/12/21
B	LS08-0112	HLE	2008/04/21
C	110-0120	NG	2010-05-27
D	110-0197	NG	2010-10-14
-	-	-	-
-	-	-	-

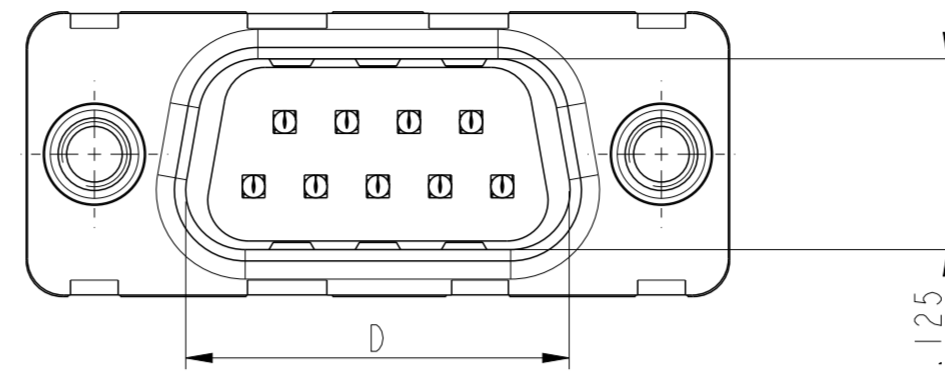
With CAP



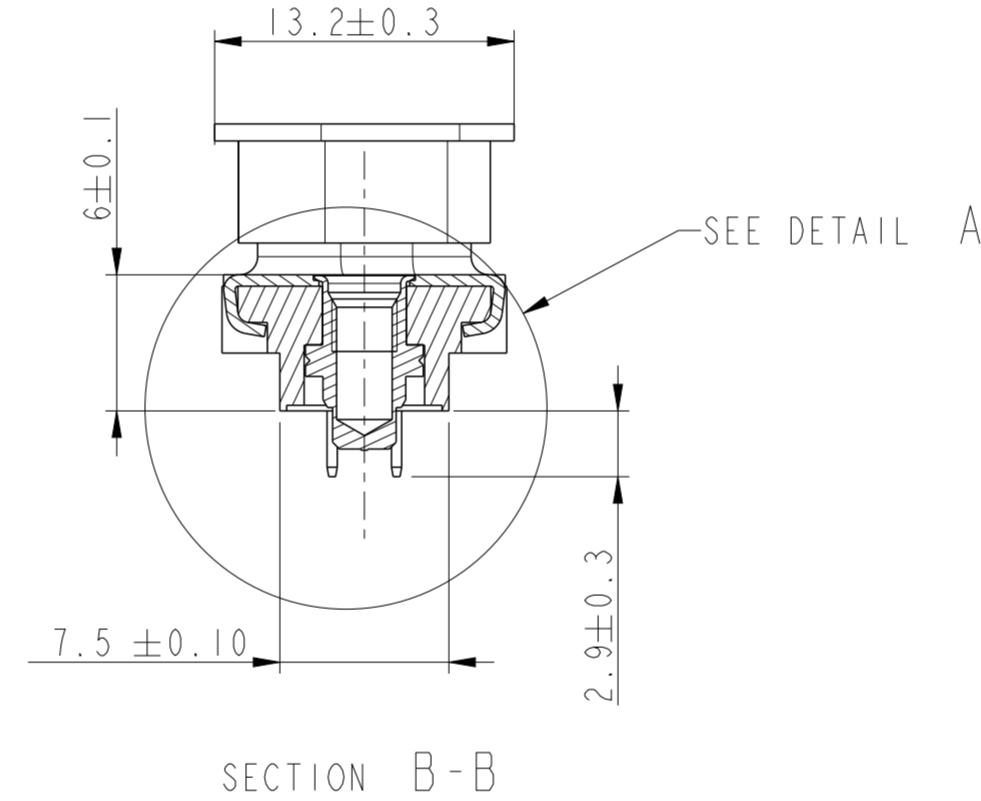
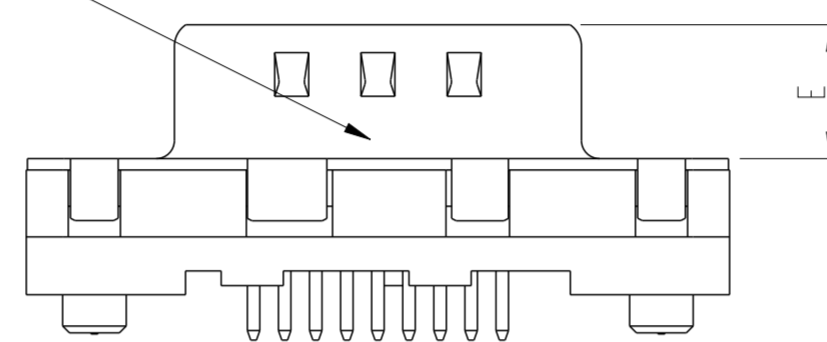
AREA VACUUM NOZZLE
 0.1



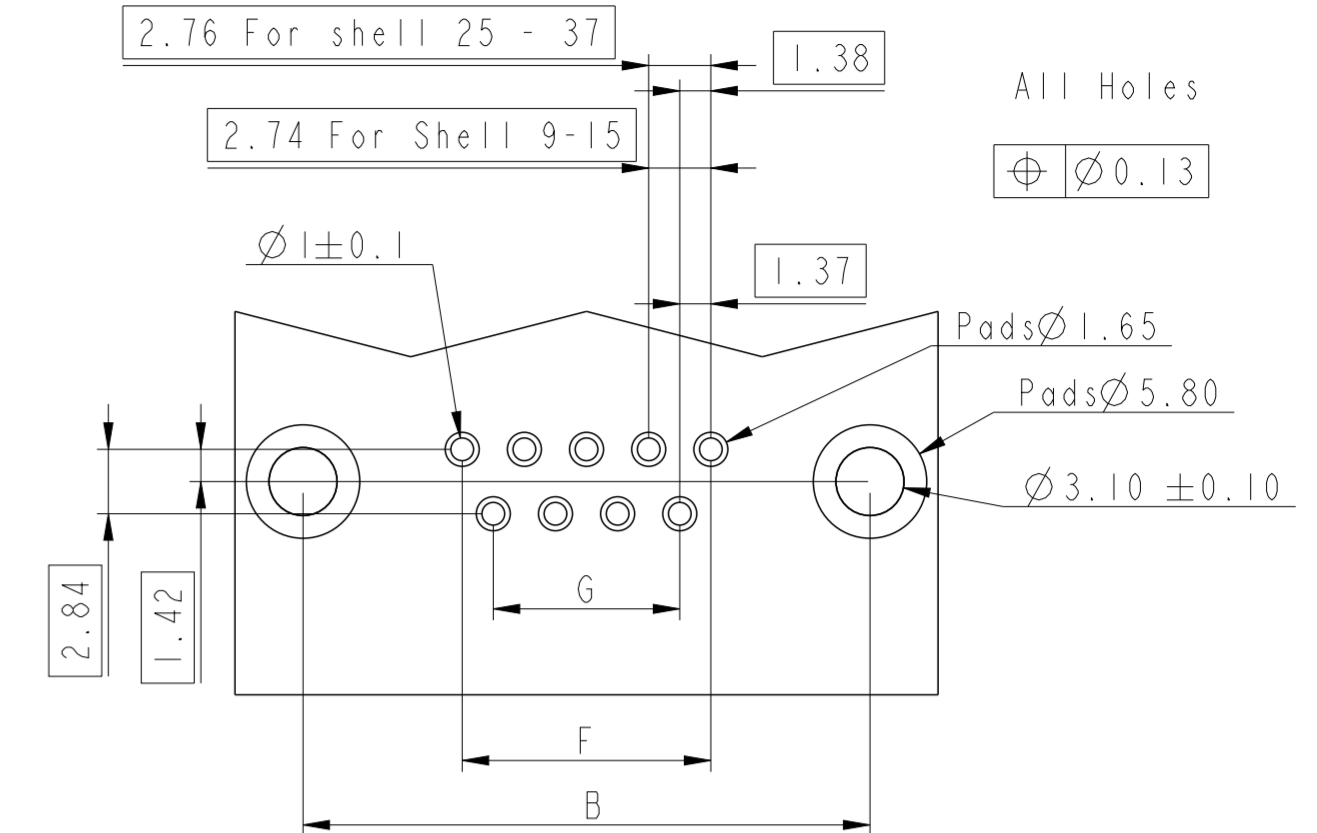
Without CAP



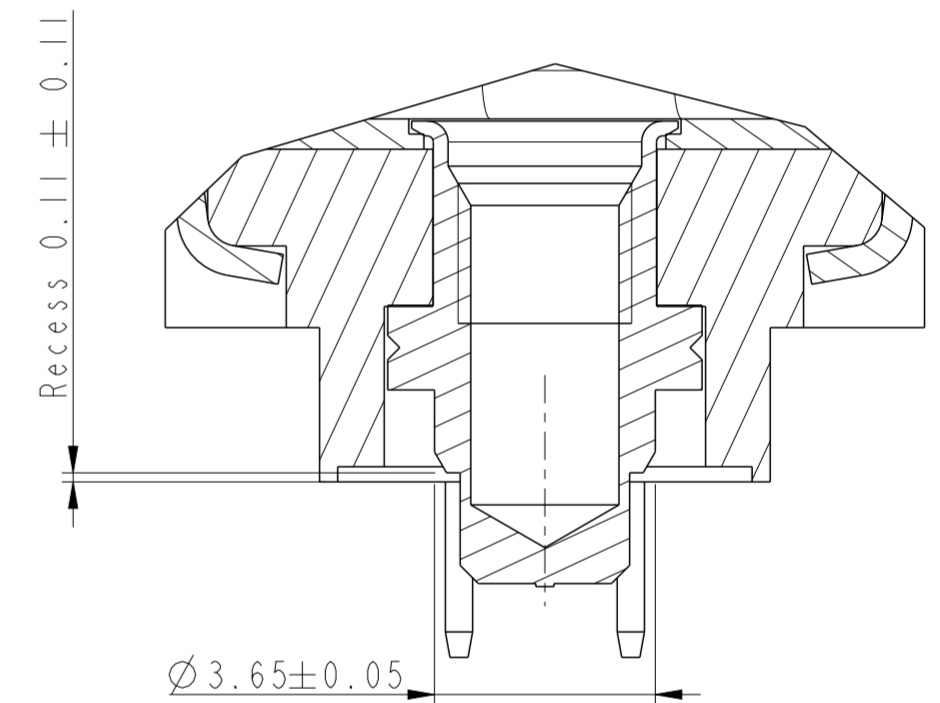
MARKING AREA



PCB Card Drilling dimensions and Pads recommended
 (after plating - Thickness : 2.40 mm)



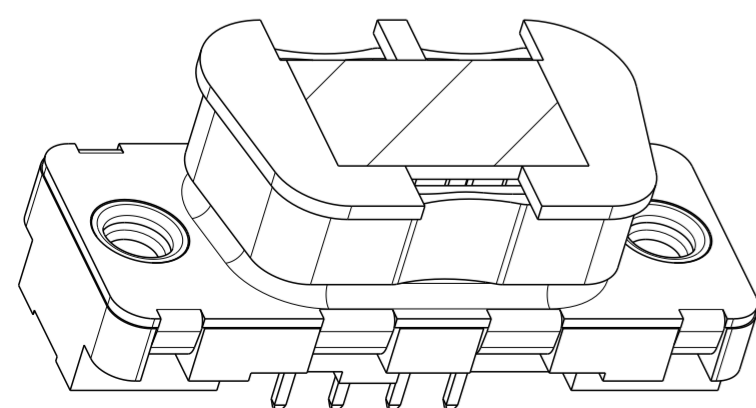
DETAIL A
 SCALE 8:1



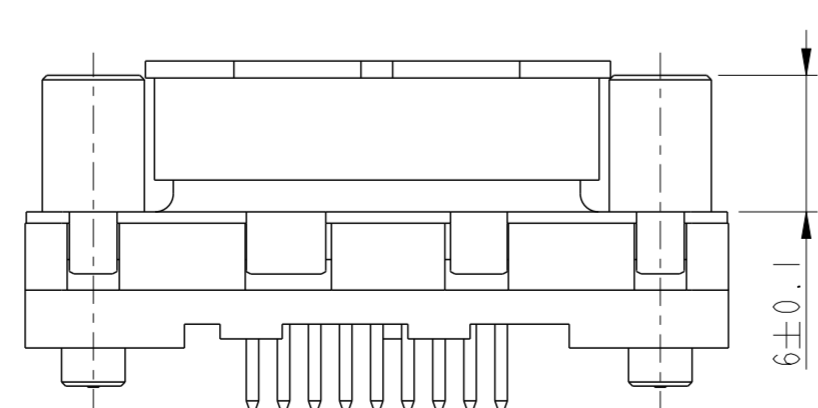
TRUE POSITIONING : Ø 0.36

SHELL	P/N LEAD FREE	A ±0.38	B ±0.10	C ±0.10	D +0.25 0	E +0.15 0	F	G
09	D09P24B6xx22LF	30.81	24.99	16.96	16.79	5.9	10.96	8.22
15	D15P24B6xx22LF	39.14	33.32	25.18	25.12	5.9	19.18	16.44
25	D25P24B6xx22LF	53.03	47.04	39.12	38.84	5.7	33.12	30.36
37	D37P24B6xx22LF	69.32	63.50	55.68	55.30	5.7	49.68	46.92

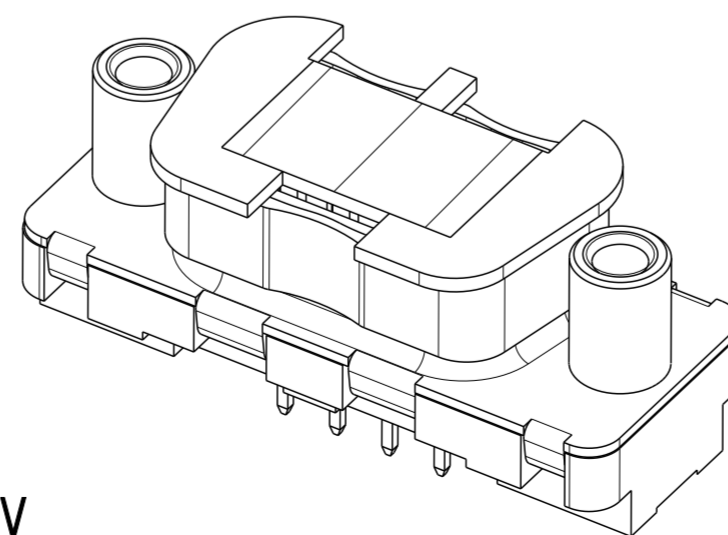
Accessories details



TYPE RX / RL



TYPE RV



www.fciconnect.com		surface	tolerance std	projection	mm
		ISO 1302	ISO 406 ISO 1101		
TOLERANCES UNLESS OTHERWISE SPECIFIED					
Dr	H.LEGALLIC	22/08/22	ANGULAR	0.x ±0.3	size A2
Eng	H.LEGALLIC	06/08/22	LINEAR	0.xx ±0.1	Scale 3:1
Chr	NIRMAL G	2010-10-14	0° ±2°	0.xxx ±0.05	ECN 110-0197
Appr	SUDHIR V	2010-10-14	Product family	SUB DELTA D PIP	Spec ref -
FCJ		Title		Rev.	
		SUB DELTA D PIP MALE H=2.9		C01-8646-0887	
		straight for tape and reel packaging		D	
		catalog no		SEE TABLE	
		CUSTOMER		sheet 2 of 2	